

301-109
3 NAUTICAL MILES
112,5° PORT SIDELIGHT
SINGLE, HORIZONTALLY MOUNTED

This LED navigation light consists of a single high-power LED that produces light in the specified angle utilizing a special designed PMMA light guide.

The precision machined 6082 aluminium housing with an anodized surface makes the light a rugged and durable housing for the LEDs and electronics contained within.

The interior is completely filled with a special potting resin making it water- and vibration proof.

Produced in our in-house manufacturing facility to meet and exceed exacting standards such as EN14744 and UL1104, under a quality management system continuously surveyed by Lloyds Register Quality Assurance.

Each light is subjected to final testing for a minimum of 16 hours of continuous operation bringing the total test time beyond 24 hours.

This navigation light is in compliance with the following standards:

- COLREG72
- EN14744
- IEC 60945
- USCG (UL1104)

Together with an appropriate Control & Monitoring System, such as Lopolight's own NLC this navigation light can form part of an IMO MSC 253(83), LY3 and LY4 compliant system.



Technical specifications

Vessel size: > 50m (>164')

Visibility: >3 nautical miles

Intensity: >15cd

Power consumption: 5,9 Watt; Current: 0,49A @ 12 VDC – 0,24A @ 24 VDC

Operating voltage: 10 - 32 VDC

Number of LEDs: 1

Light colour: **Red**

Operating temperature: -25°C to +55°C

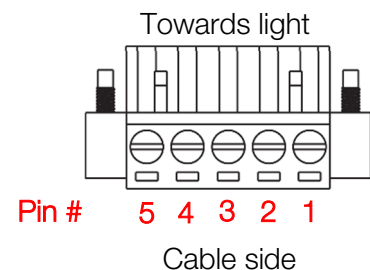
IP rating: **IP68**

Mounting: **Horizontal**, see K-Lock sheet for options

Connection: 4 M20x1.5 thread borings for cable glands located on the side and bottom (see drawing for details).

Cabling: 1 cable consisting of 2 x 0,5 mm² leads, a screen and insulation.

- Pin 1 - Red lead = Power
- Pin 2 - Black lead = GND
- Pin 3 – No lead = Not used
- Pin 4 - No lead = Not used
- Pin 5 - No lead = Not used



Certification: **Pending**

The product is in compliance with the following standards:
COLREG72/ EN14744 / IEC 60945 / USCG (UL1104)

Dimensions: **See drawing**

Weight: **1,17kg**

Included in the standard package:

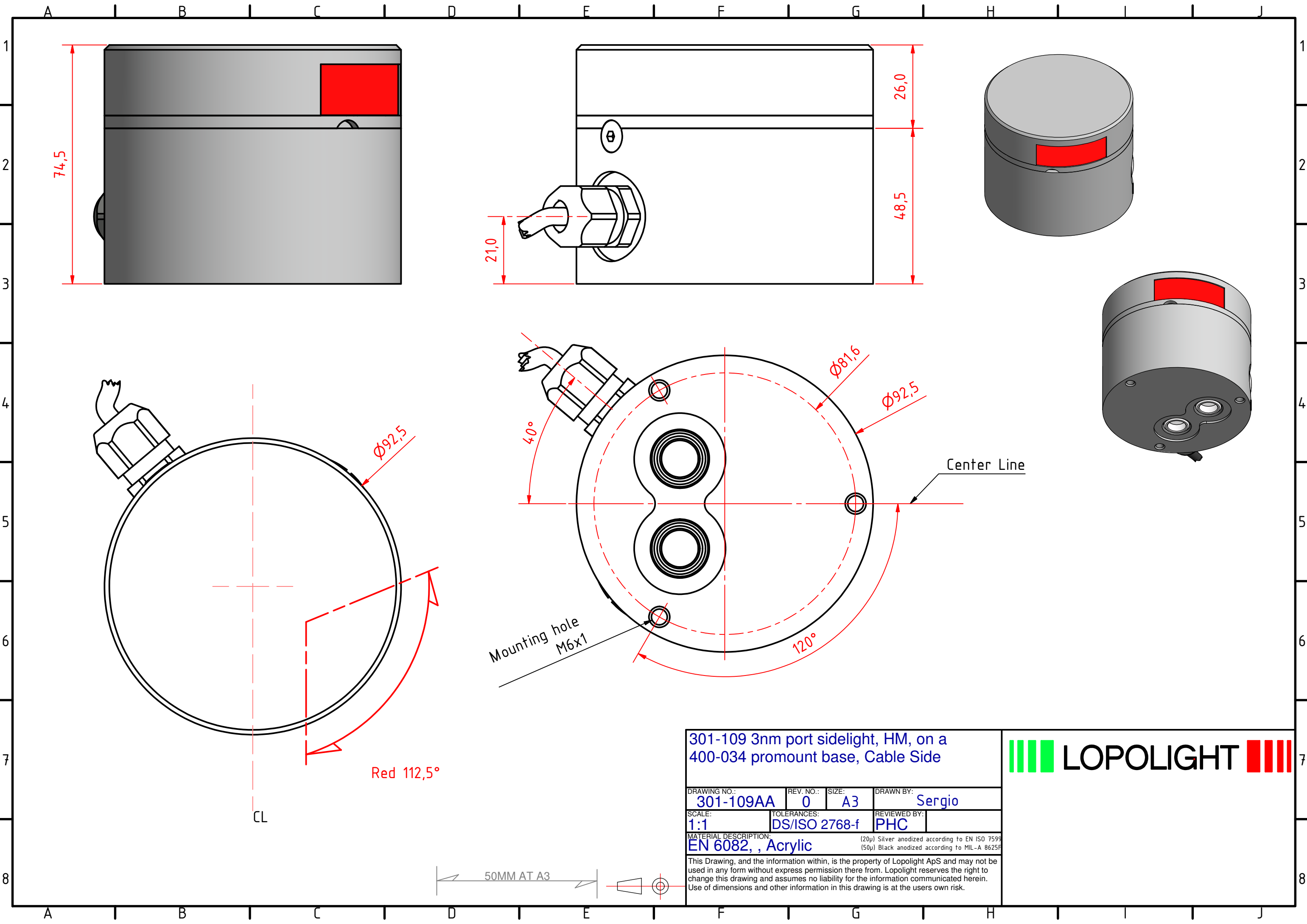
- 1 pc. Navigation light on 400-034 aluminium base
- 1 pc. HDPE base plate
- 1 pc. M20x1.5 cable gland (cable diameters 7 – 13mm)
- 3 pcs. M20x1.5 blinding caps
- 1 pc. 5-pin connector plug
- Installation instructions

Ordering information

BASE OPTION	PART NUMBER SILVER FINISH	PART NUMBER BLACK FINISH
400-034 (drawing A - D) CSCD base (Standard)	301-109	301-109-B
400-035 (drawing E - F) CD base	301-109-CD	301-109-B-CD

Cabling options

Cable length	Part number
2m / 6.6' 2-lead cable with connector	400-300-2M
4m / 13.1' 2-lead cable with connector	400-300-4M
6m / 19.7' 2-lead cable with connector	400-300-6M
10m / 32.8' 2-lead cable with connector	400-300-10M
12m / 39.4' 2-lead cable with connector	400-300-12M
15m / 49.1' 2-lead cable with connector	400-300-15M
20m / 65.6' 2-lead cable with connector	400-300-20M



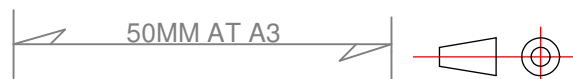
301-109 3nm port sidelight, HM, on a 400-034 promount base, Cable Side

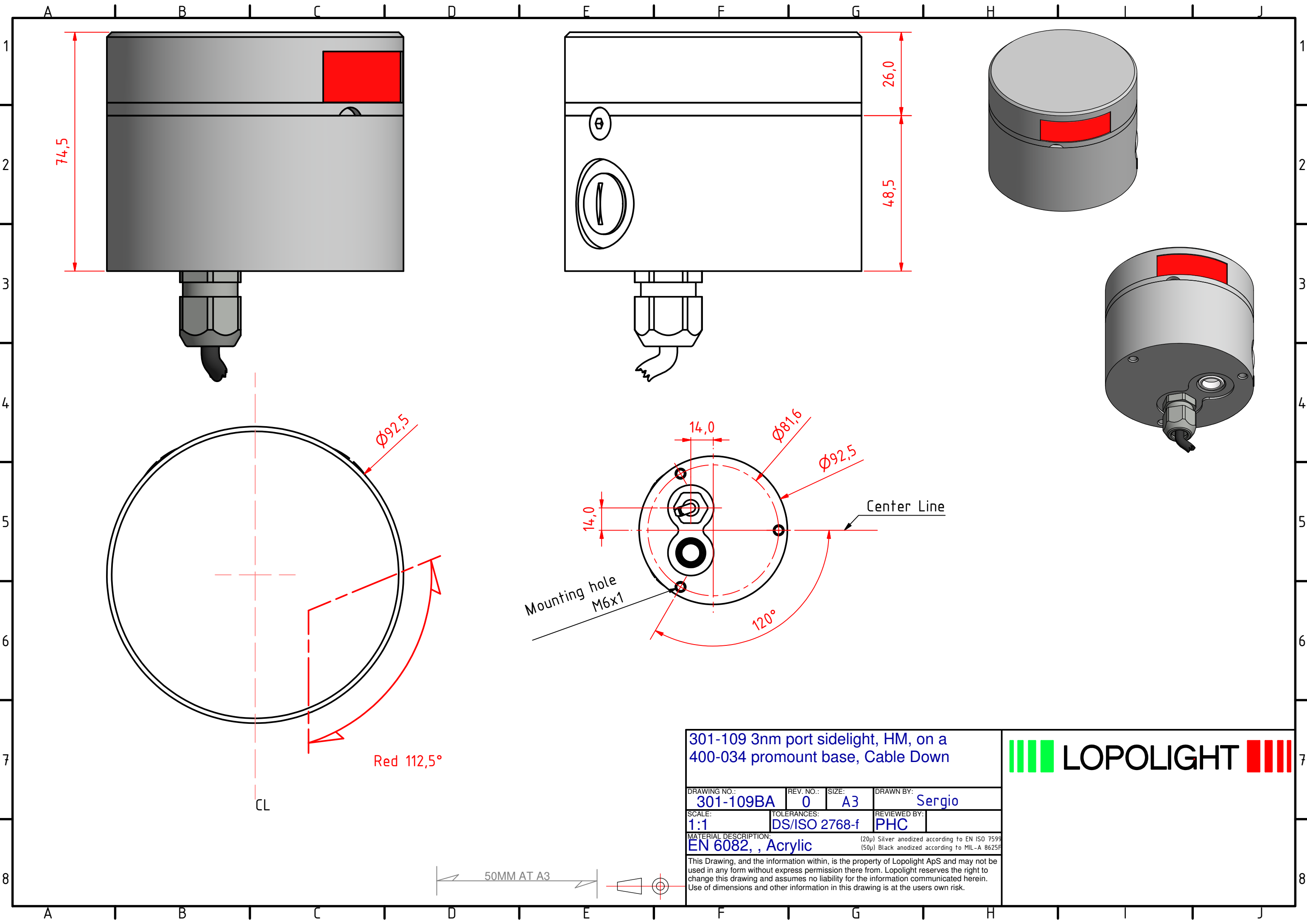
DRAWING NO.:	REV. NO.:	SIZE:	DRAWN BY:
301-109AA	0	A3	Sergio
SCALE:	TOLERANCES:	REVIEWED BY:	
1:1	DS/ISO 2768-f	PHC	

MATERIAL DESCRIPTION:
 EN 6082, , Acrylic (20µ) Silver anodized according to EN ISO 7599
 (50µ) Black anodized according to MIL-A 8625F



This Drawing, and the information within, is the property of Lopolight ApS and may not be used in any form without express permission there from. Lopolight reserves the right to change this drawing and assumes no liability for the information communicated herein. Use of dimensions and other information in this drawing is at the users own risk.

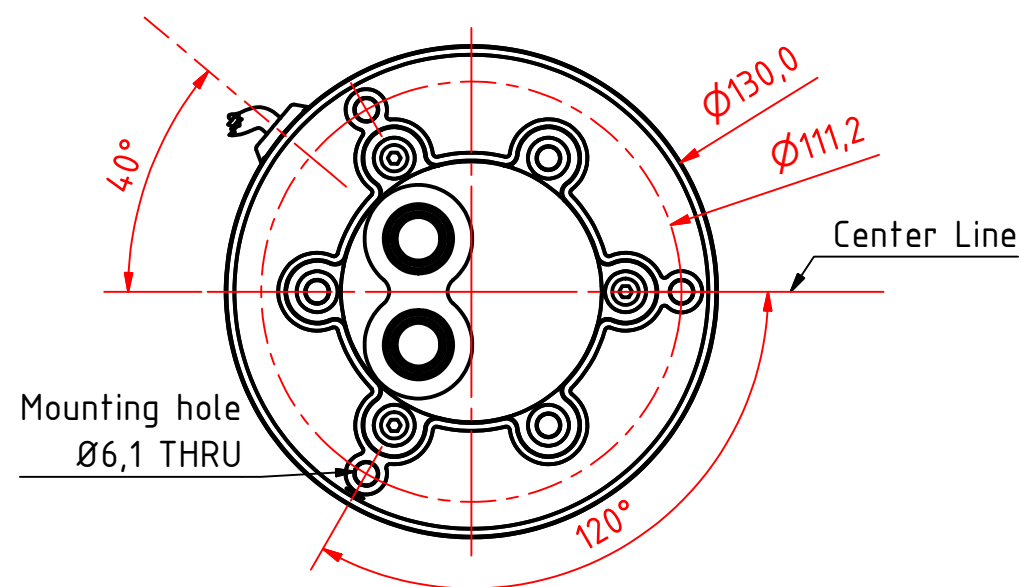
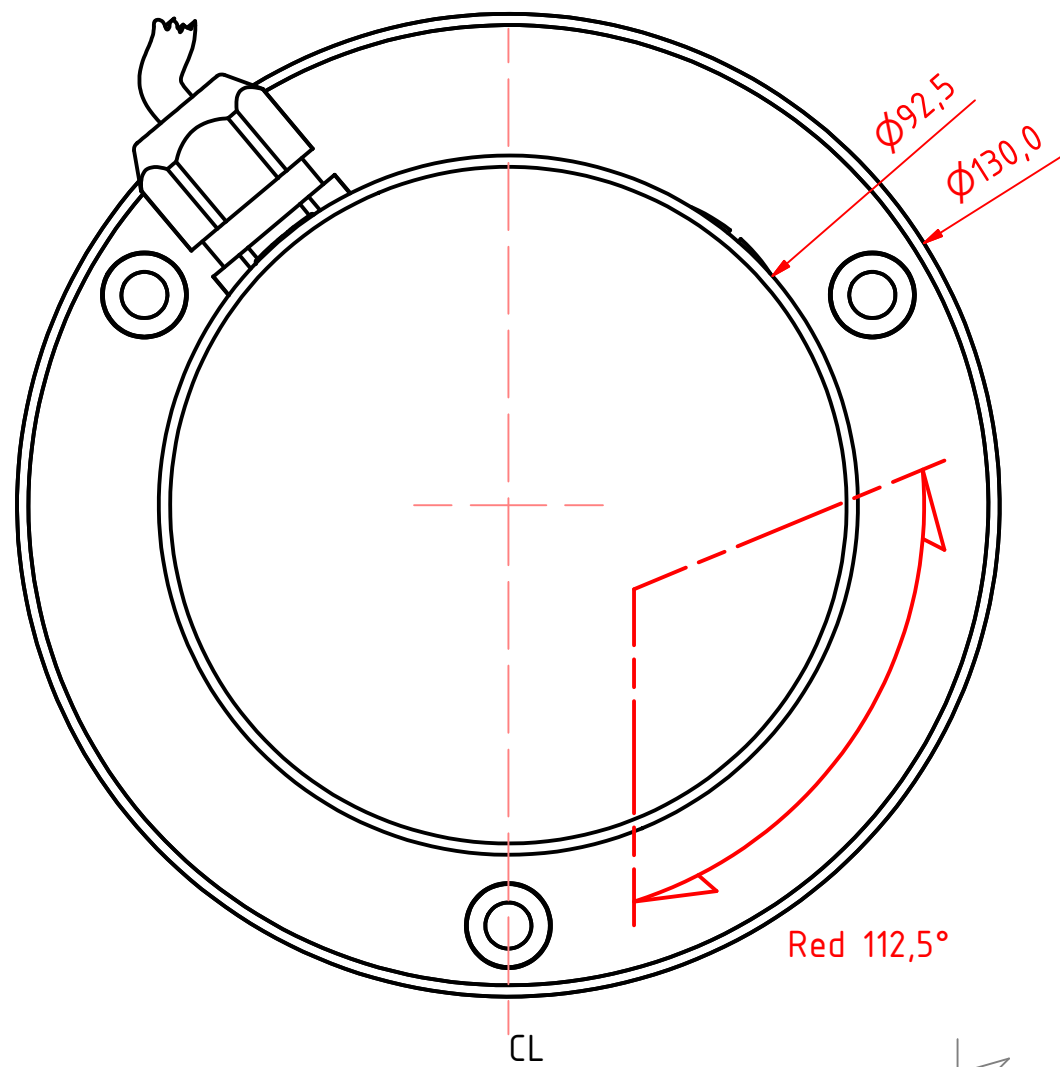
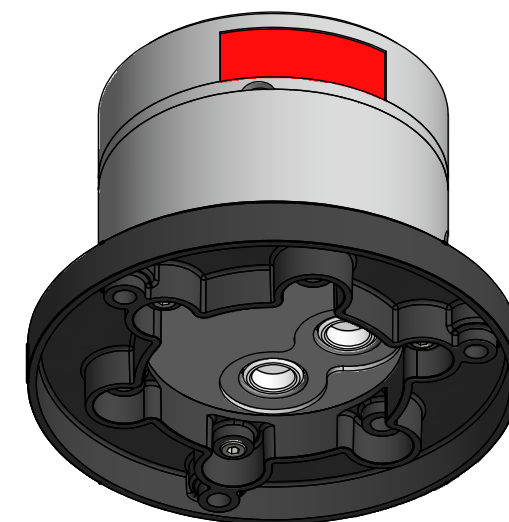
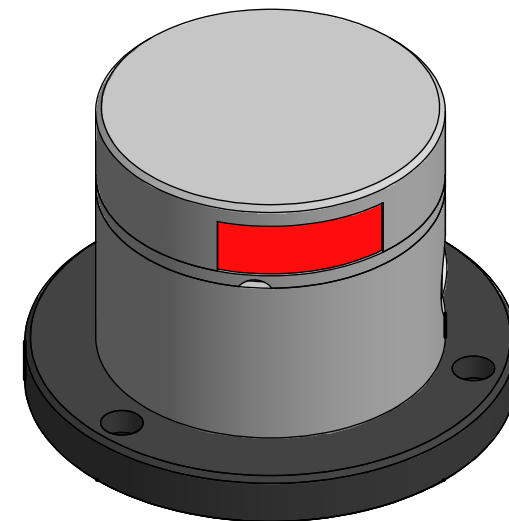
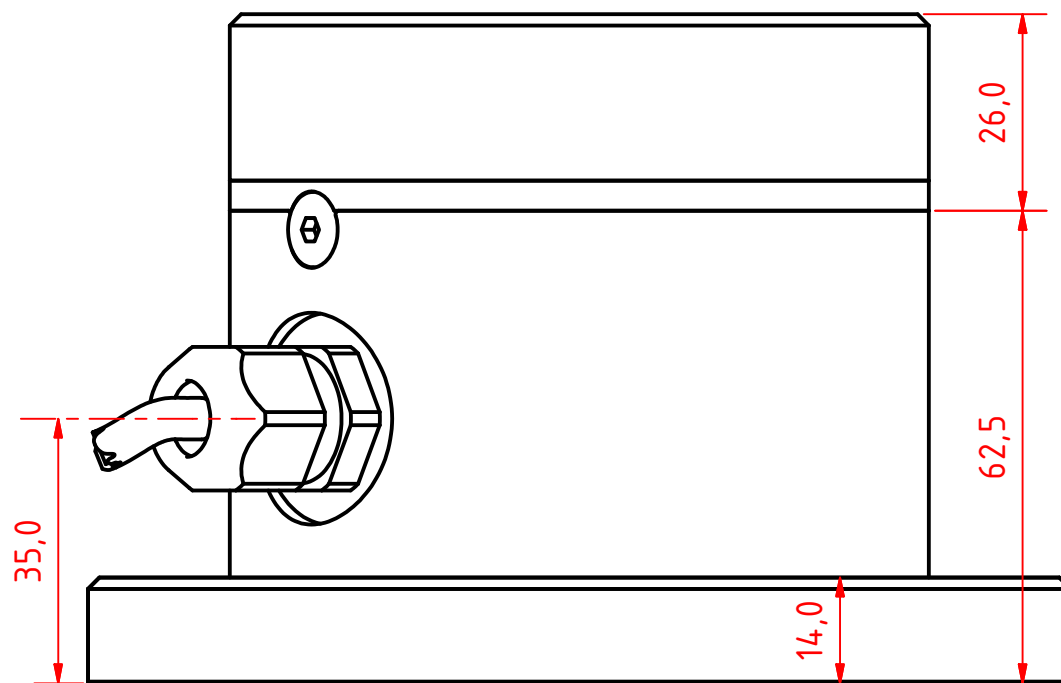
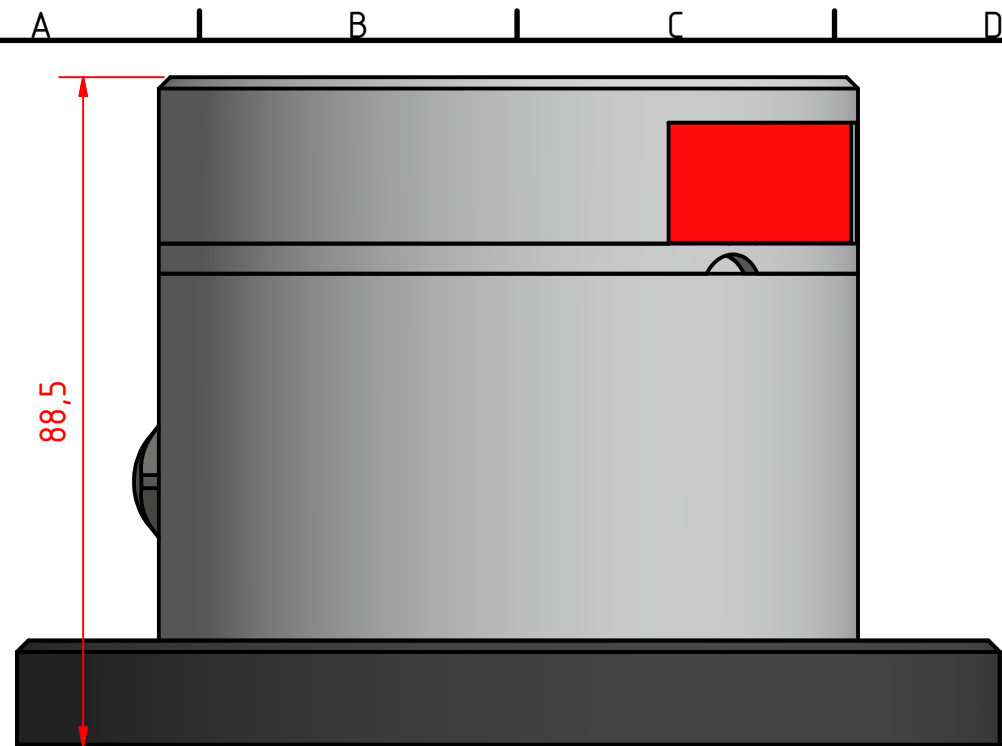




301-109 3nm port sidelight, HM, on a 400-034 promount base, Cable Down			
DRAWING NO.:	REV. NO.:	SIZE:	DRAWN BY:
301-109BA	0	A3	Sergio
SCALE:	TOLERANCES:	REVIEWED BY:	
1:1	DS/ISO 2768-f	PHC	
MATERIAL DESCRIPTION:			
EN 6082, , Acrylic		(20µ) Silver anodized according to EN ISO 7599 (50µ) Black anodized according to MIL-A 8625F	
This Drawing, and the information within, is the property of Lopolight ApS and may not be used in any form without express permission there from. Lopolight reserves the right to change this drawing and assumes no liability for the information communicated herein. Use of dimensions and other information in this drawing is at the users own risk.			

LOPOLIGHT





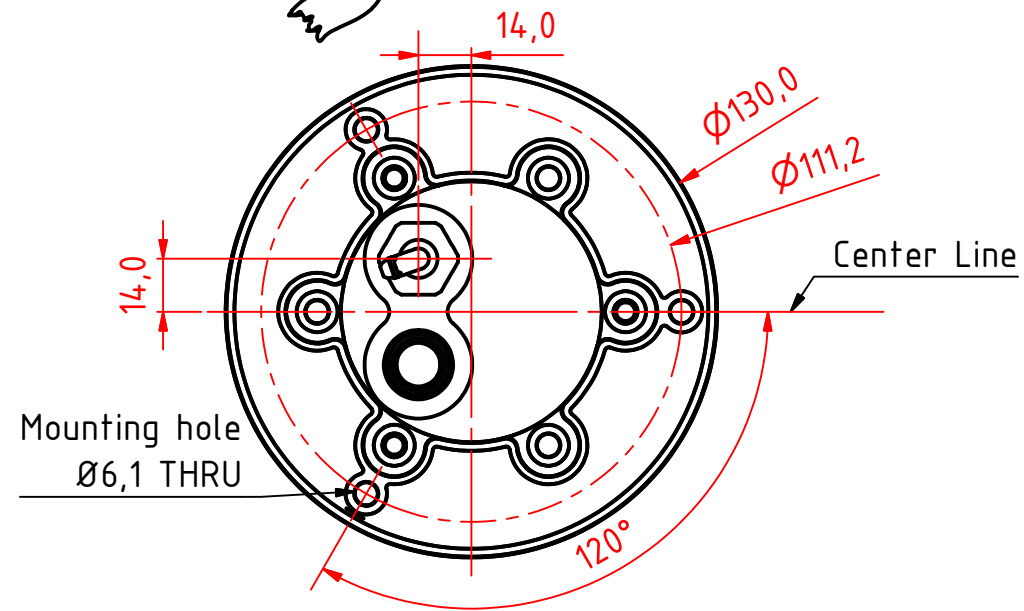
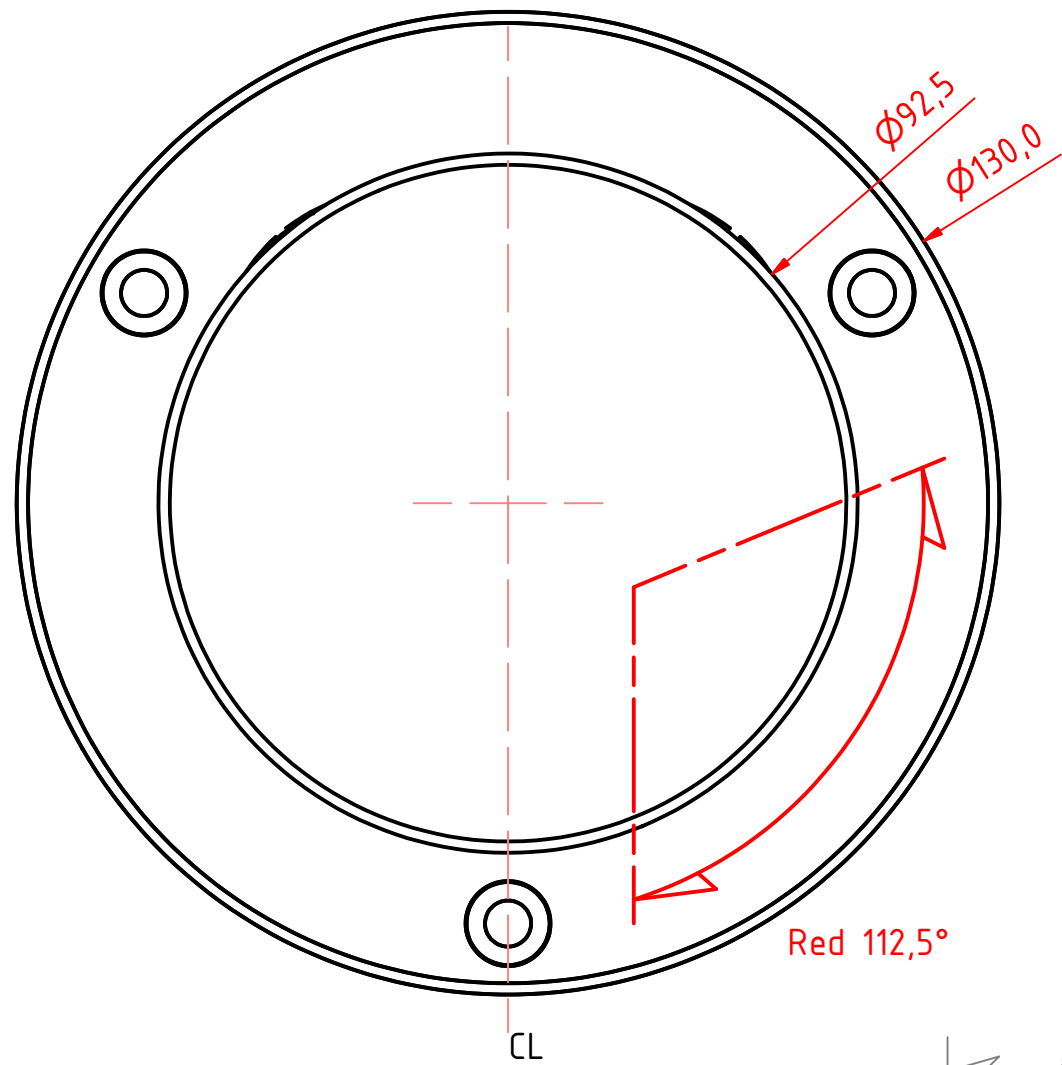
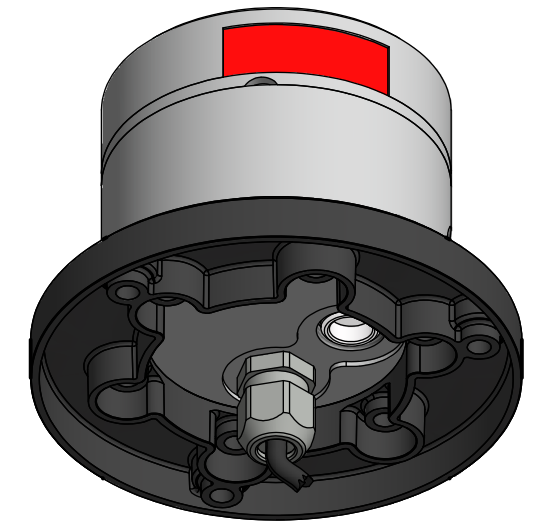
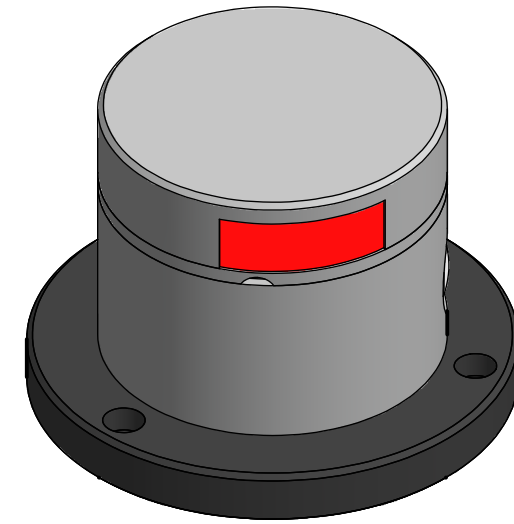
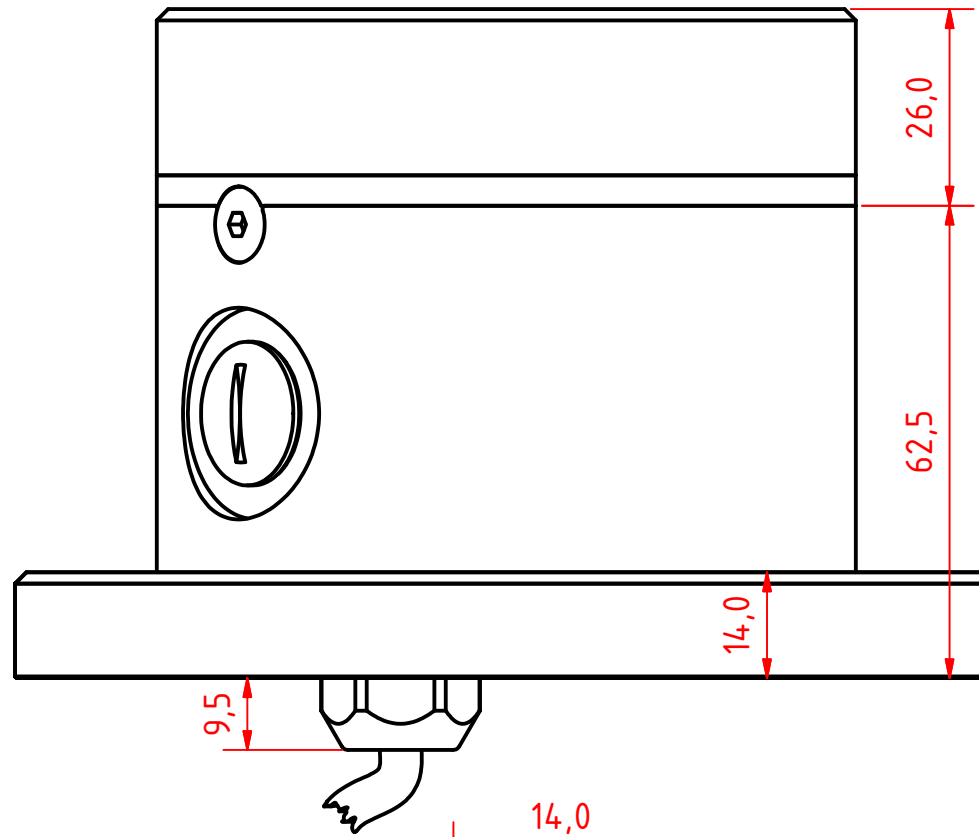
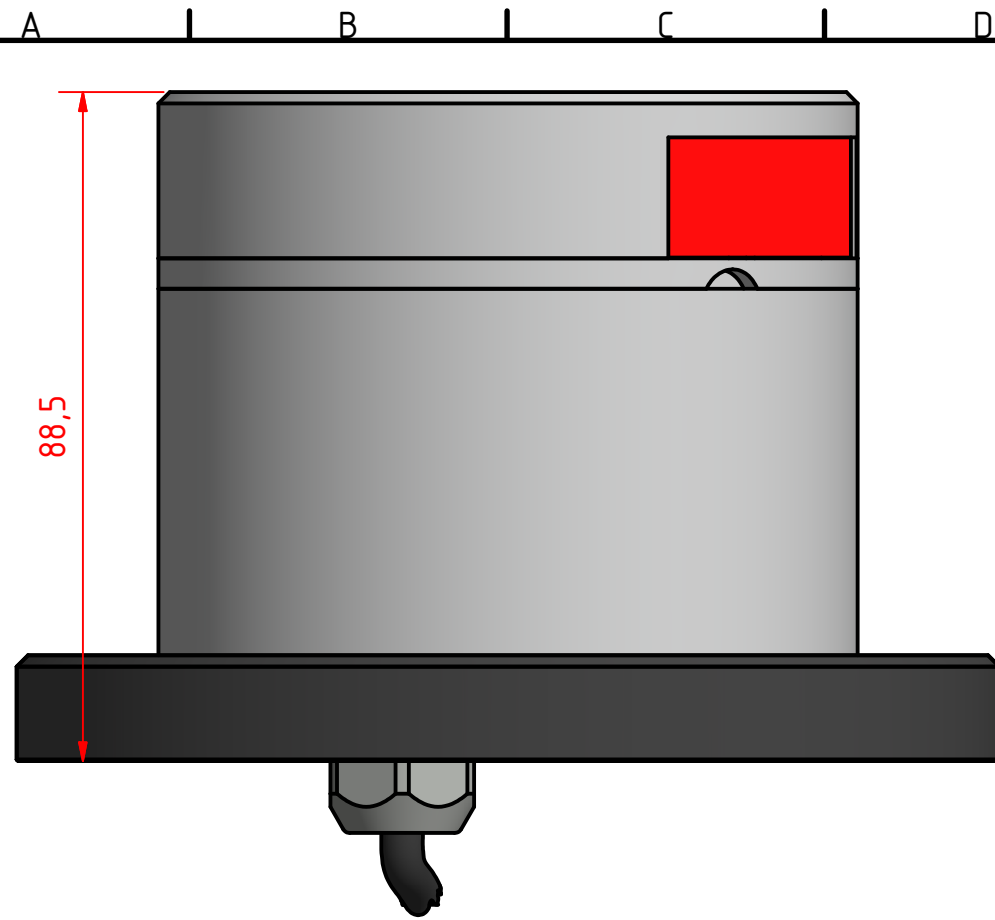
301-109 3nm port sidelight, HM, on a
400-034 promount base and 400-404 PE
base plate, Cable Side

DRAWING NO.:	REV. NO.:	SIZE:	DRAWN BY:
301-109CA	0	A3	Sergio
SCALE:	TOLERANCES:	REVIEWED BY:	
1:1	DS/ISO 2768-f	PHC	

MATERIAL DESCRIPTION:
EN 6082, , Acrylic, PE (20µ) Silver anodized according to EN ISO 7599
(50µ) Black anodized according to MIL-A 8625F

This Drawing, and the information within, is the property of Lopolight ApS and may not be used in any form without express permission there from. Lopolight reserves the right to change this drawing and assumes no liability for the information communicated herein. Use of dimensions and other information in this drawing is at the users own risk.





301-109 3nm port sidelight, HM, on a
400-034 promount base and 400-404 PE
base plate, Cable Down

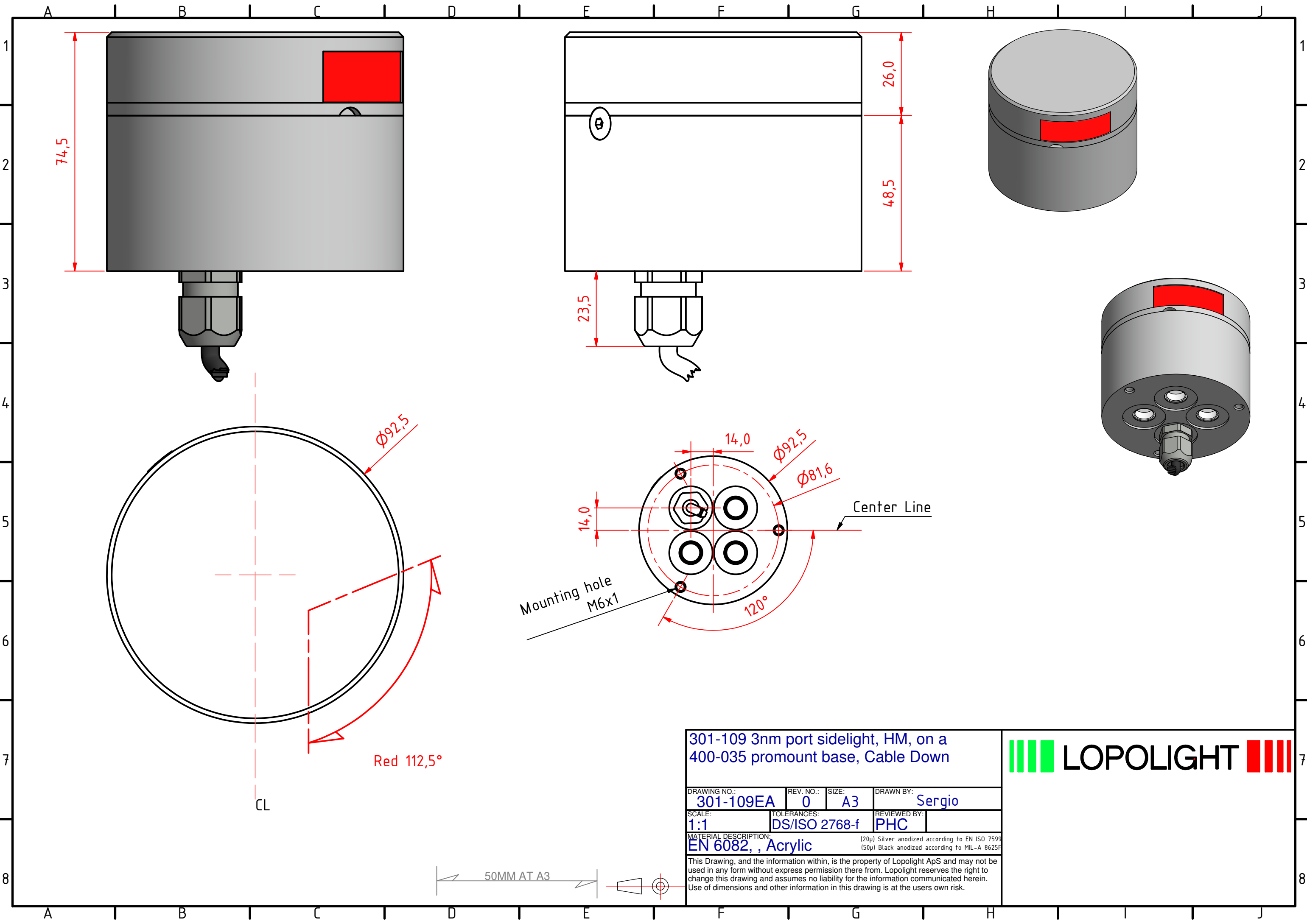
DRAWING NO.:	REV. NO.:	SIZE:	DRAWN BY:
301-109DA	0	A3	Sergio

SCALE:	TOLERANCES:	REVIEWED BY:
1:1	DS/ISO 2768-f	PHC

MATERIAL DESCRIPTION:
EN 6082, , Acrylic, PE (20µ) Silver anodized according to EN ISO 7599
(50µ) Black anodized according to MIL-A 8625F

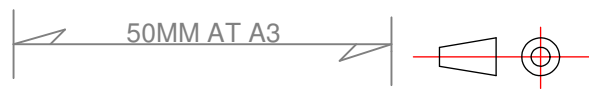
This Drawing, and the information within, is the property of Lopolight ApS and may not be used in any form without express permission there from. Lopolight reserves the right to change this drawing and assumes no liability for the information communicated herein. Use of dimensions and other information in this drawing is at the users own risk.

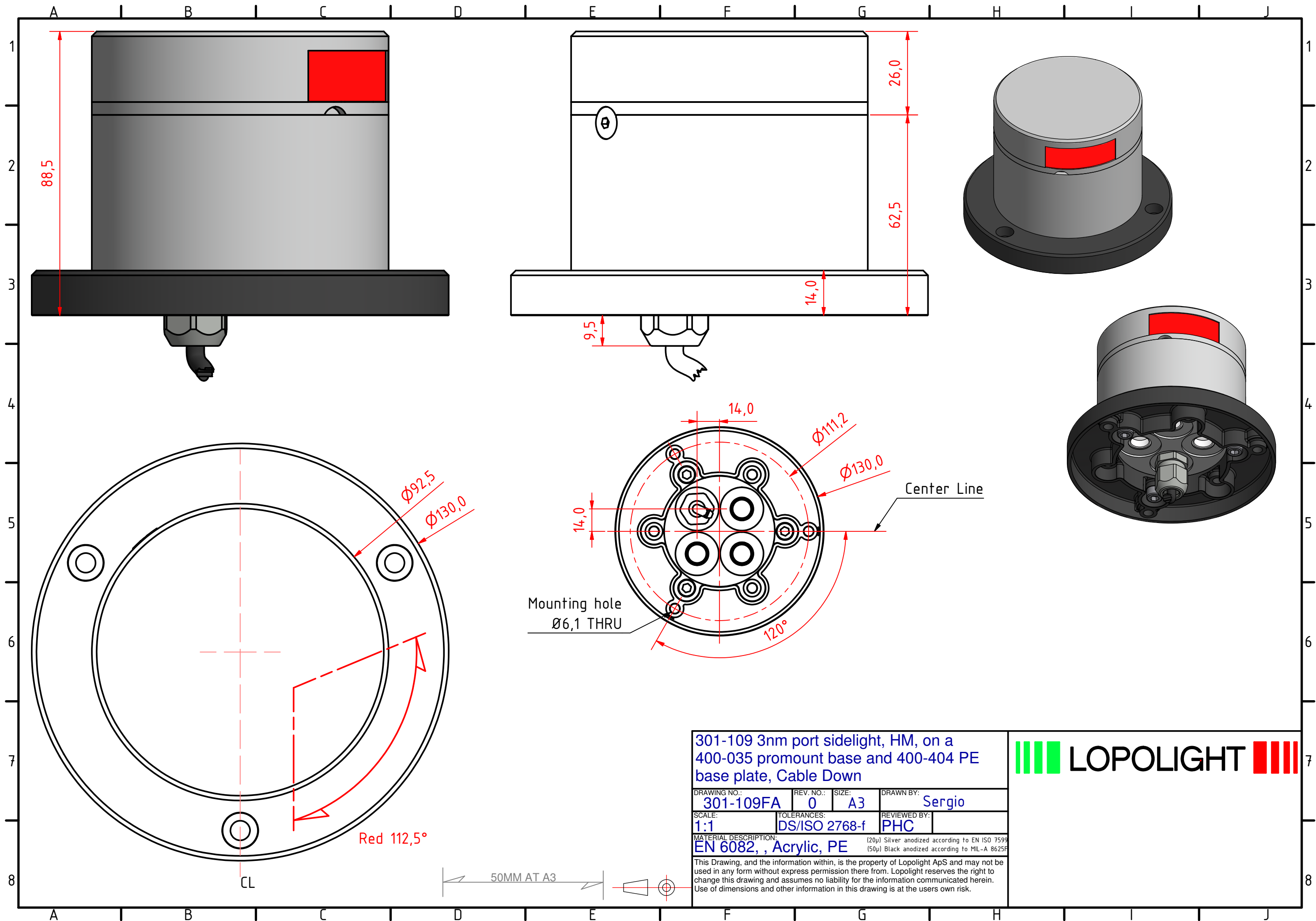




301-109 3nm port sidelight, HM, on a 400-035 promount base, Cable Down

DRAWING NO.:	REV. NO.:	SIZE:	DRAWN BY:
301-109EA	0	A3	Sergio
SCALE:	TOLERANCES:	REVIEWED BY:	
1:1	DS/ISO 2768-f	PHC	
MATERIAL DESCRIPTION:			
EN 6082, , Acrylic			
<small>(20µ) Silver anodized according to EN ISO 7599 (50µ) Black anodized according to MIL-A 8625F</small>			
<small>This Drawing, and the information within, is the property of Lopolight ApS and may not be used in any form without express permission there from. Lopolight reserves the right to change this drawing and assumes no liability for the information communicated herein. Use of dimensions and other information in this drawing is at the users own risk.</small>			





301-109 3nm port sidelight, HM, on a 400-035 promount base and 400-404 PE base plate, Cable Down			
DRAWING NO.:	REV. NO.:	SIZE:	DRAWN BY:
301-109FA	0	A3	Sergio
SCALE:	TOLERANCES:	REVIEWED BY:	
1:1	DS/ISO 2768-f	PHC	
MATERIAL DESCRIPTION:			
EN 6082, , Acrylic, PE		(20µ) Silver anodized according to EN ISO 7599 (50µ) Black anodized according to MIL-A 8625F	
This Drawing, and the information within, is the property of Lopolight ApS and may not be used in any form without express permission there from. Lopolight reserves the right to change this drawing and assumes no liability for the information communicated herein. Use of dimensions and other information in this drawing is at the users own risk.			

