

Check dimensions before cutting

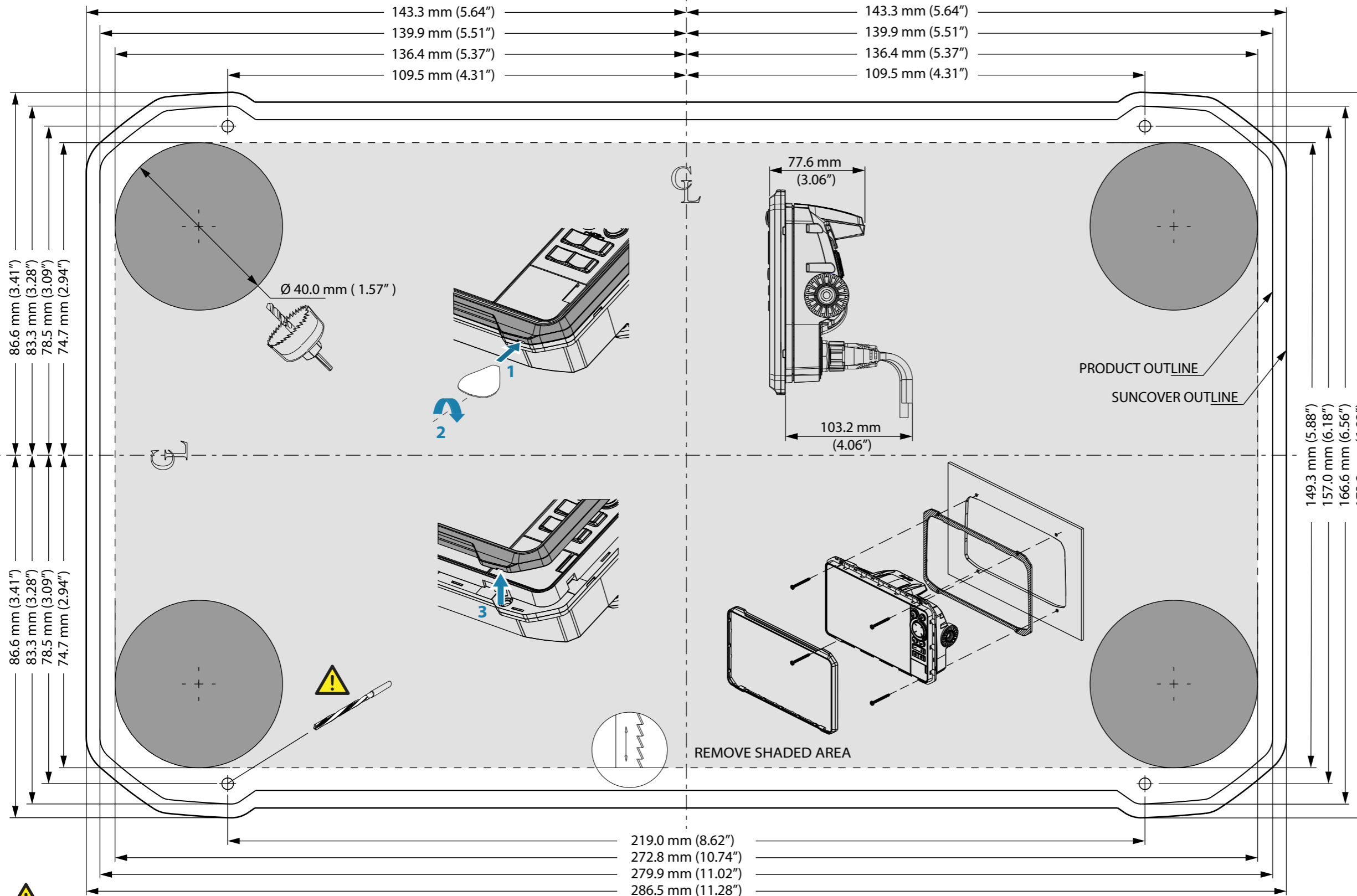
12"

300 mm

LOWRANCE®

**HDS-9 Live
Mounting Template**

IMPORTANT: Do not use this template if it has been rescaled by copying or printing. If this is not the original, or is a print from a file, please check the dimension lines below are to scale before use.



Recommended pilot holes

Material	#6 screw
Soft materials e.g. Plywood	Ø 2.3-2.5 mm (3/32")
Hard material e.g. Fiberglass, Acrylic, Hardwoods	Ø 2.7-3.1 mm (7/64")

**NOTE:
DO NOT SCALE
PRINT 1:1**

