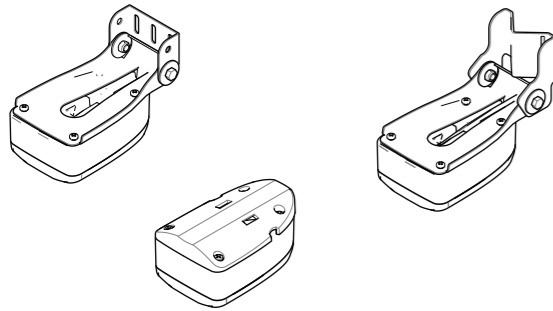


**LOWRANCE**

**SIMRAD**

### LiveSight transducer

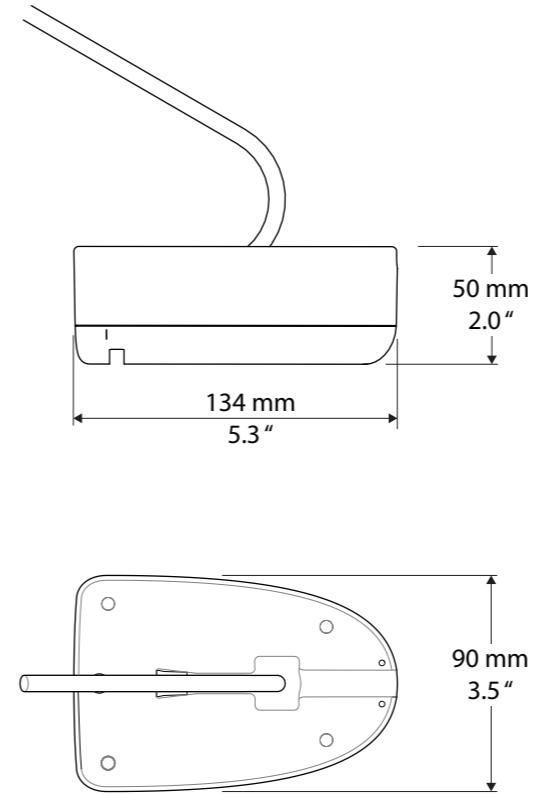


### Technical specifications

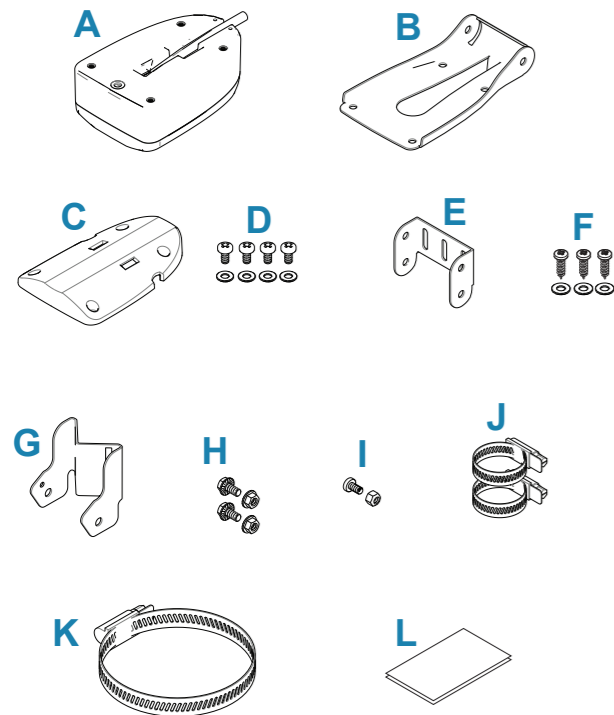
→ **Note:** The most up-to-date specifications are available at the product web site.

Environmental	
Water temperature for operation	0°C to +35°C (32°F to +95°F)
Storage temperature	-30°C to +70°C (-22°F to +158°F)
Physical	
Weight (without cable)	0,614 kg (1.354 lbs.)
Cable length	7,6 m (25 ft)
Mounting options	<ul style="list-style-type: none"><li>• Transom</li><li>• Trolling motor shaft (forward-looking)</li><li>• Trolling motor (down-looking)</li></ul>

### Dimensions

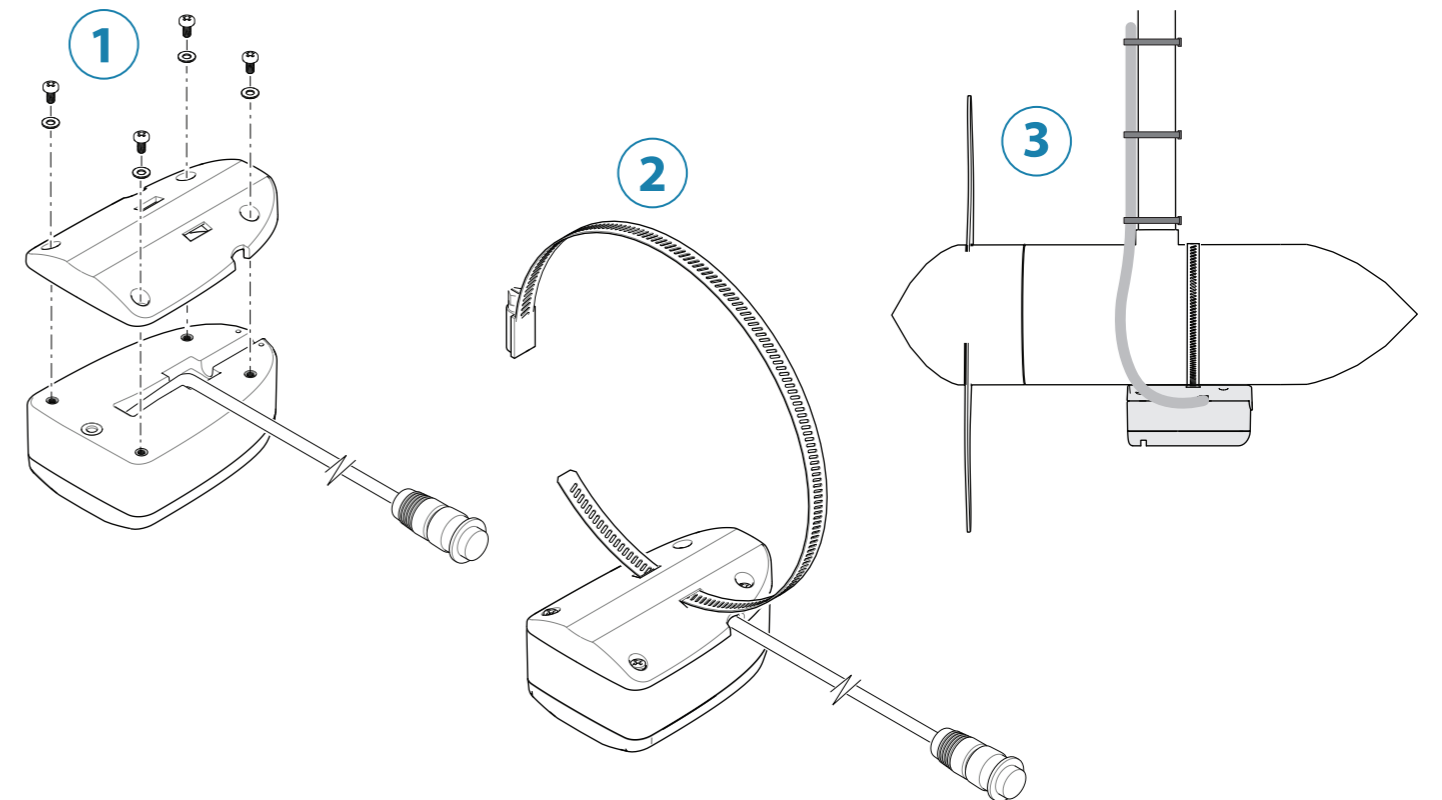


### Parts included



- A.** LiveSight transducer, incl. 7,6 m (25 ft) cable
- B.** Transducer bracket
- C.** Trolling motor adapter
- D.** Screws M4x8 Ph SS18-8 and washers (4x)
- E.** Transom mounting bracket
- F.** Screws #10x11/4" tap and washers (for transom bracket) (x3)
- G.** Pole adapter (for trolling motor shaft)
- H.** Hex flange bolts M6-1x12, SS18-8, and M6x1 serrated flange nut, 316SS (x2)
- I.** Screw M4x8 Ph SS18-8 and M4 316SS nylock nut
- J.** Clamp hose 20 SS (for trolling motor shaft) (x2)
- K.** Clamp hose 72 SS (for trolling motor adapter)
- L.** Documentation

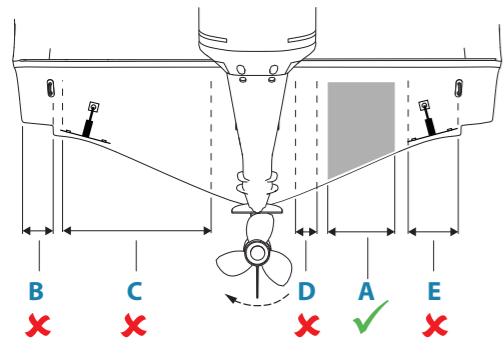
### Trolling motor installation (down-looking)



## Transom installation (down-looking)

→ **Notes:**  
 The transducer could lose bottom signal when the boat is on plane.  
 The transducer will not work while it is out of the water.

### Mounting guidelines



Mirror the example if your boat has a counterclockwise propeller rotation.

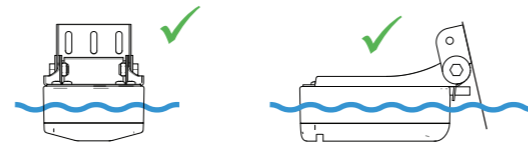
#### Best mounting location:

**A.** undisturbed water flow

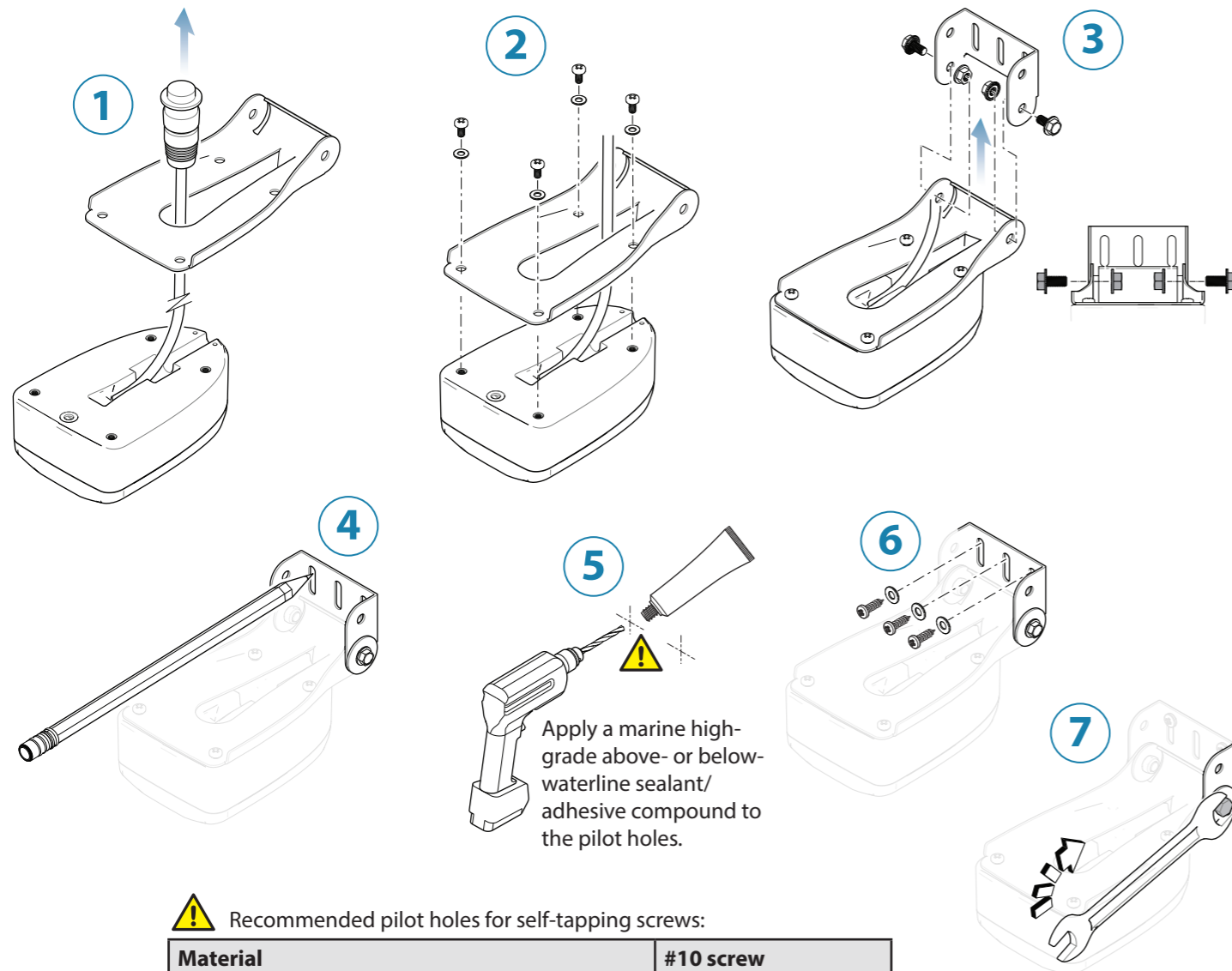
#### Avoid mounting:

- B.** behind planing strake
- C.** 1 m (3.3') to port (left) of propeller
- D.** within 7.5 cm (3") to starboard of propeller
- E.** close to trim tabs

Mount the transducer parallel to the water surface.



### Installation



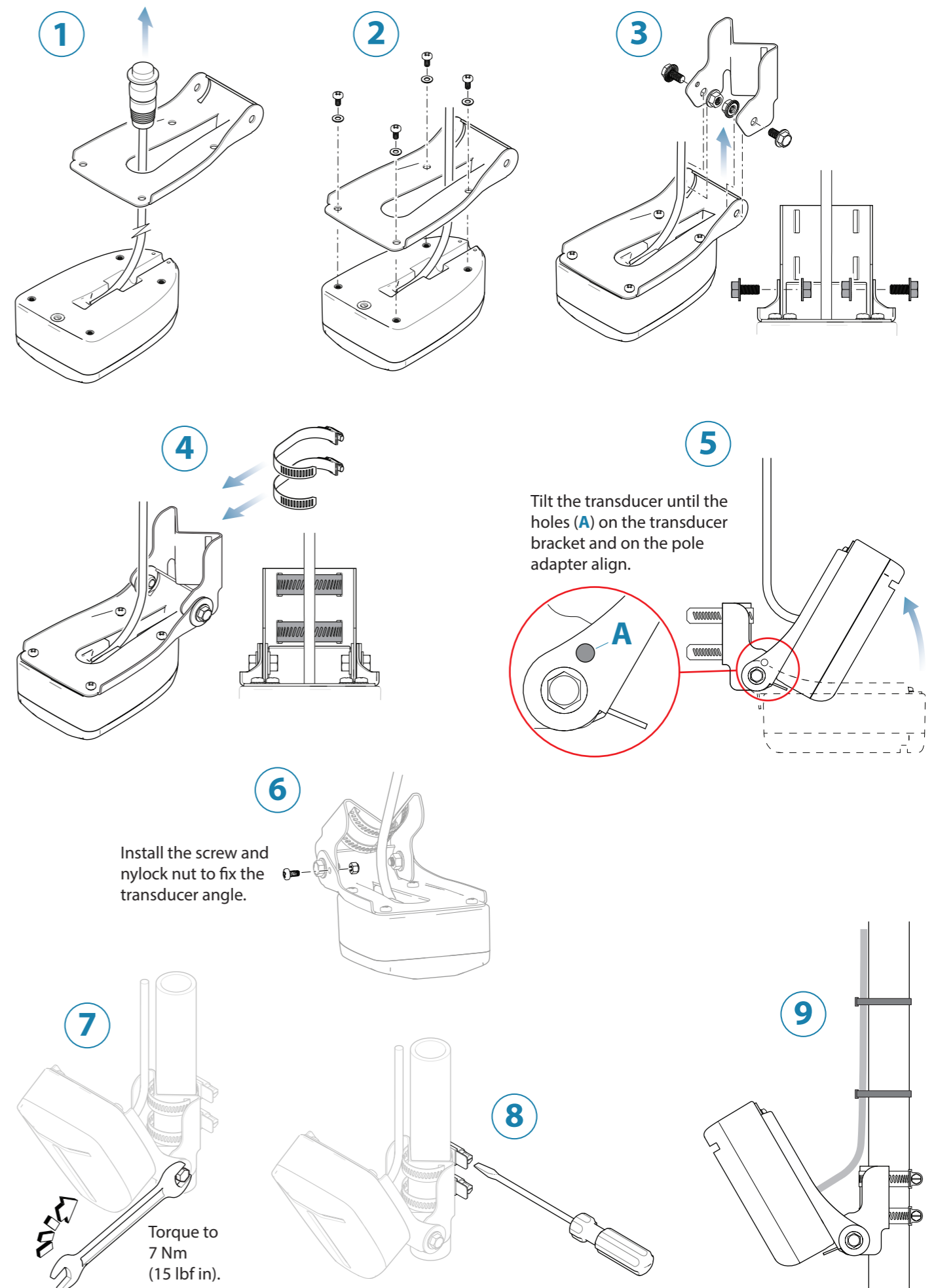
Apply a marine high-grade above- or below-waterline sealant/adhesive compound to the pilot holes.

⚠ Recommended pilot holes for self-tapping screws:

Material	#10 screw
Soft materials e.g. plywood	Ø 3.7-4.0 mm (5/32")
Hard materials e.g. fiberglass, acrylic, hardwoods	Ø 4.1-4.7 mm (3/16")
Aluminum	Ø 4.2-4.5 mm (0.173")

Torque to 7 Nm (15 lbf in.)

## Trolling motor shaft installation (forward-looking)



Tilt the transducer until the holes (A) on the transducer bracket and on the pole adapter align.

Install the screw and nylock nut to fix the transducer angle.

Torque to 7 Nm (15 lbf in.)