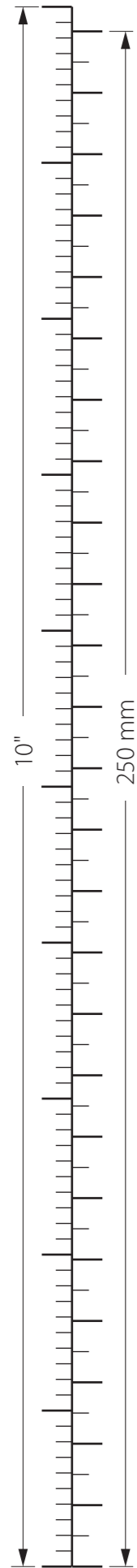


## Mounting template (2/2)

Check dimensions before cutting

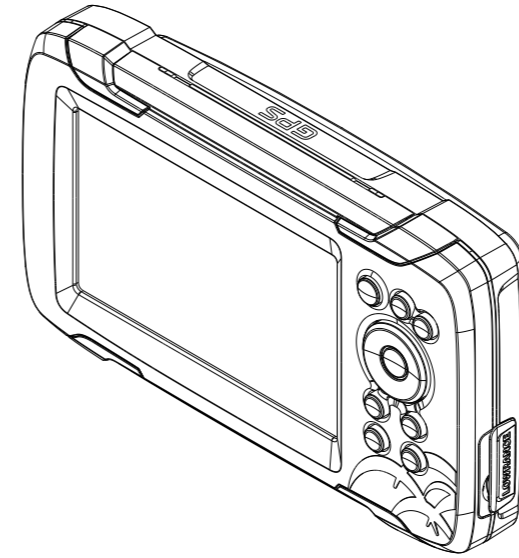


IMPORTANT. Do not use this template if it has been rescaled by copying or printing. If this is not the original, or is a print from a file, please check the dimension lines below are to scale before use.



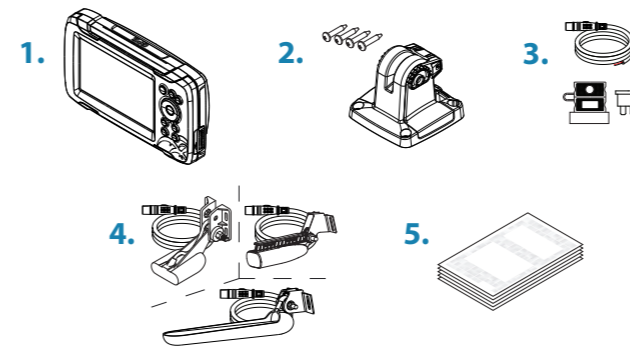
# LOWRANCE®

## HOOK REVEAL 5



### Parts included

1. Display unit
2. Bracket mounting kit
3. Cable and fuse kit
4. SplitShot, TripleShot or 50/200 kHz Skimmer transducer
5. Document package

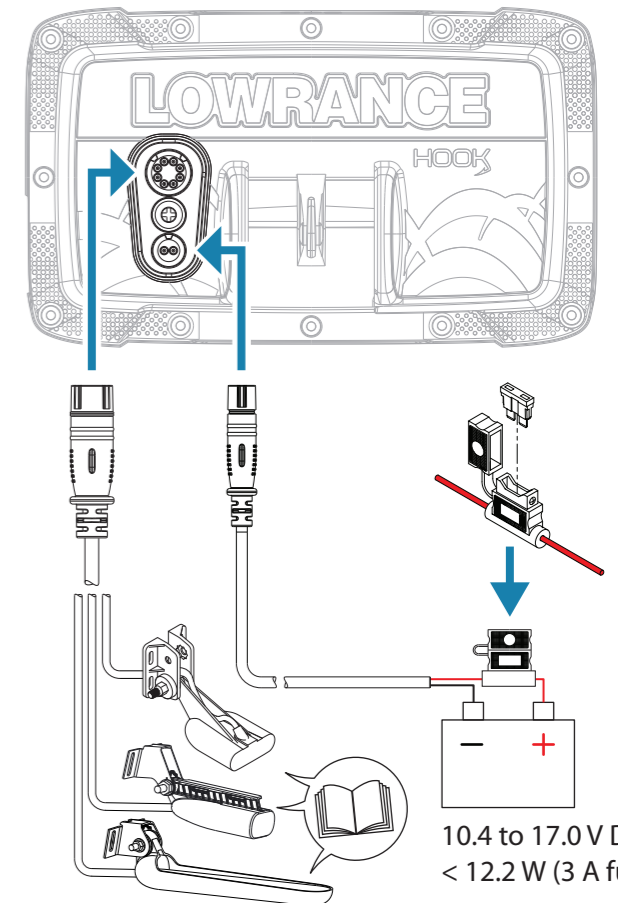


### Accessories (sold separately)

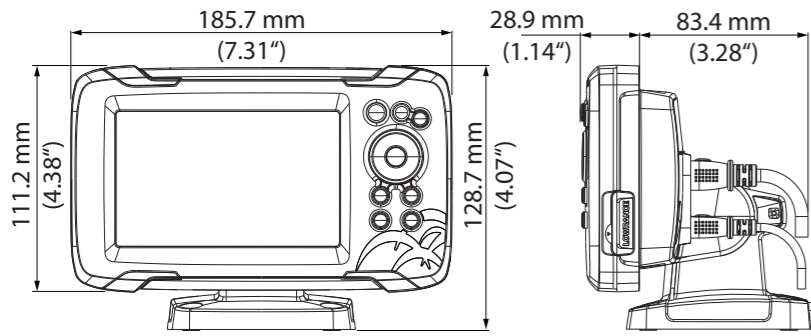
- A. Sun cover  
Part no.: 000-14174-001
- B. Panel mounting gasket (adhesive)  
Part no.: 000-14187-001



### Wiring

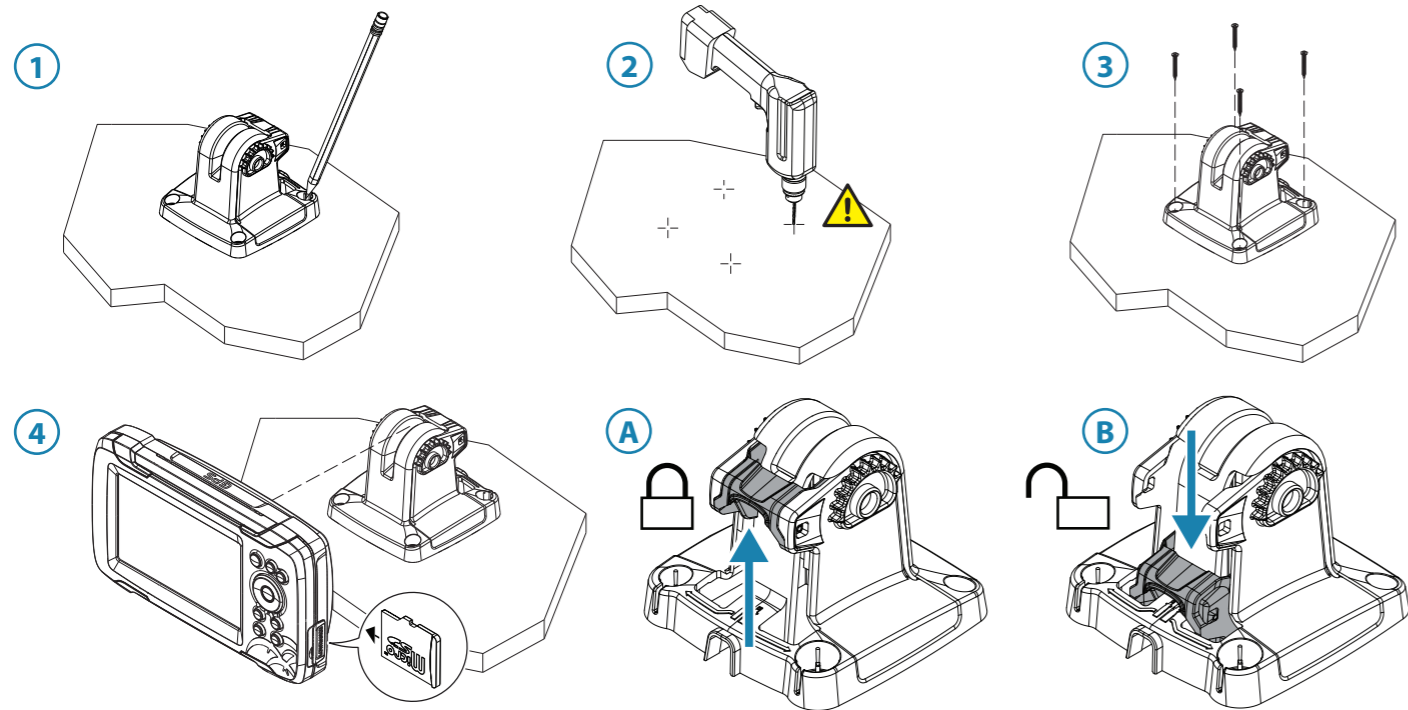


## Details



- Sunlight readable
- 15°C to +55°C  
+5°F to +131°F
- 70°/50°, top/bottom  
70°/70°, left/right
- 0.46 Kg  
1.00 lbs
- 1x card reader slot  
Micro SD
- IPX6  
IPX7

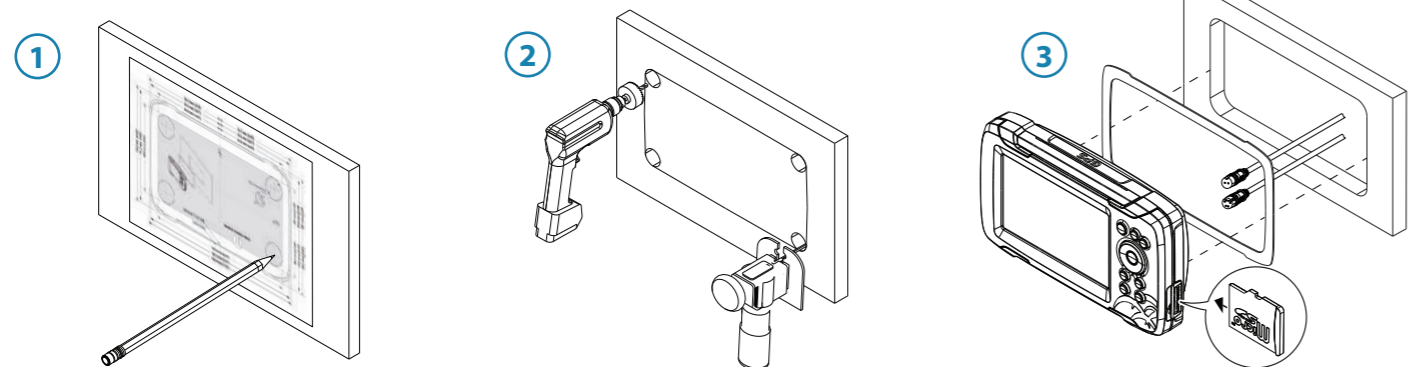
## Bracket mounting



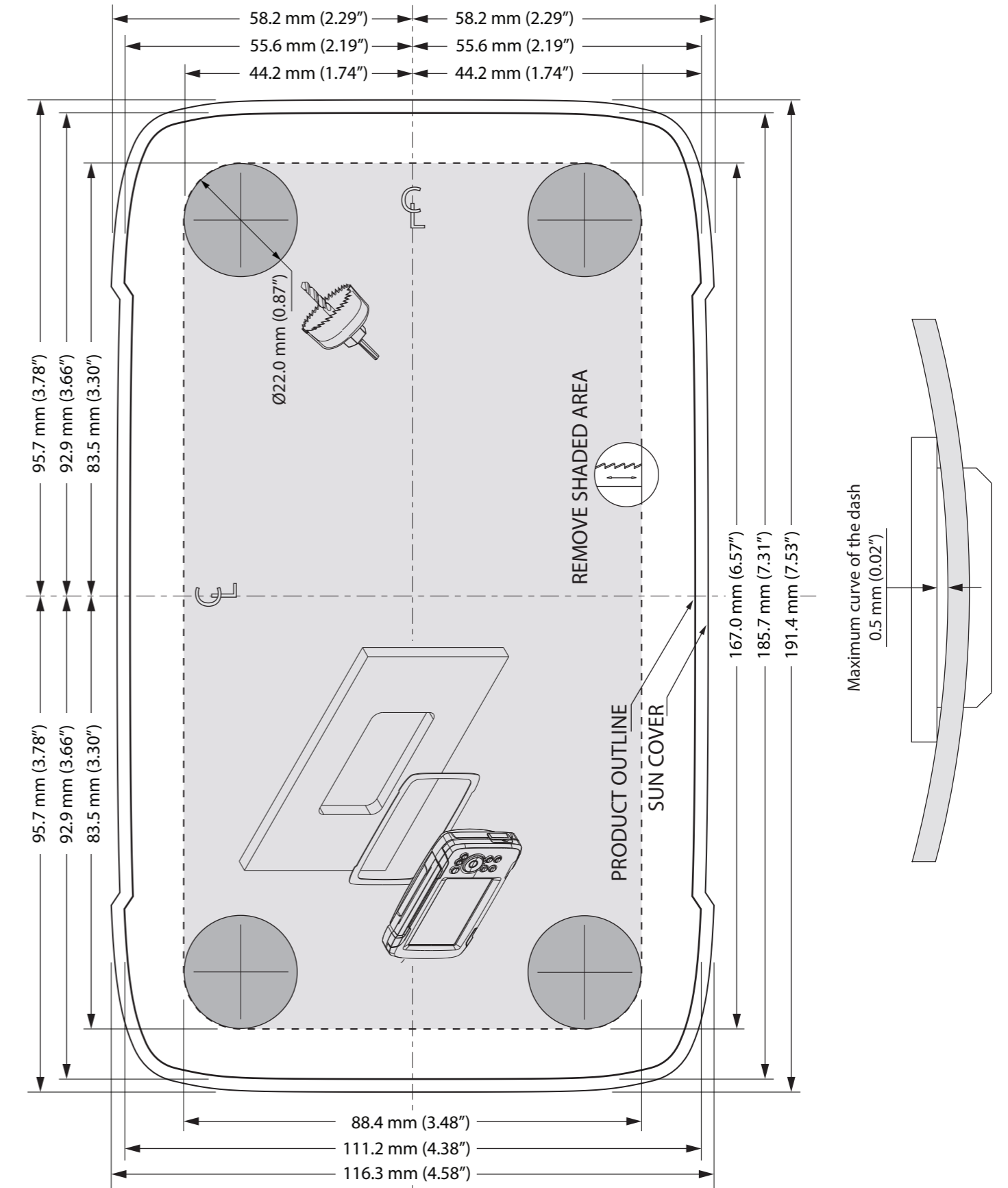
Recommended pilot holes.

Material	10# screw
Soft materials e.g. Plywood	Ø 3.7-4.0 mm (5/32")
Hard materials e.g. Fiberglass, Acrylic, Hardwoods	Ø 4.1-4.7 mm (3/16")

## Panel mounting



## Mounting template (1/2)



**Note:** Adhesive panel mounting gasket is sold separately.  
Part no.: 000-14187-001.