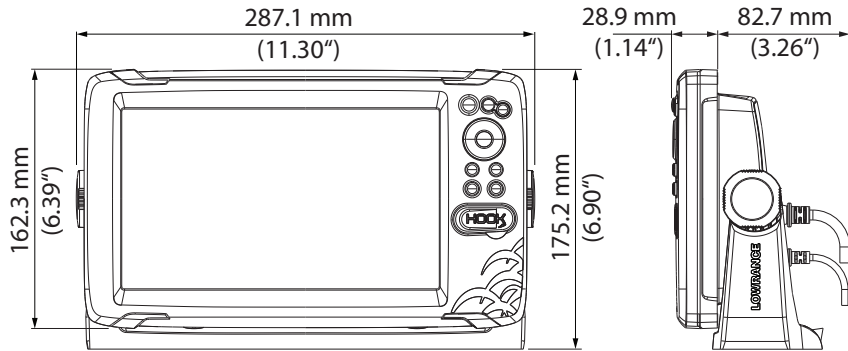


## Details



Sunlight readable



-15°C to +55°C  
+5°F to +131°F



1.00 Kg  
2.20 lbs



1x card reader slot  
Micro SD



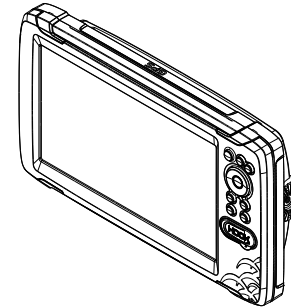
70°/50°, top/bottom  
70°/70°, left/right



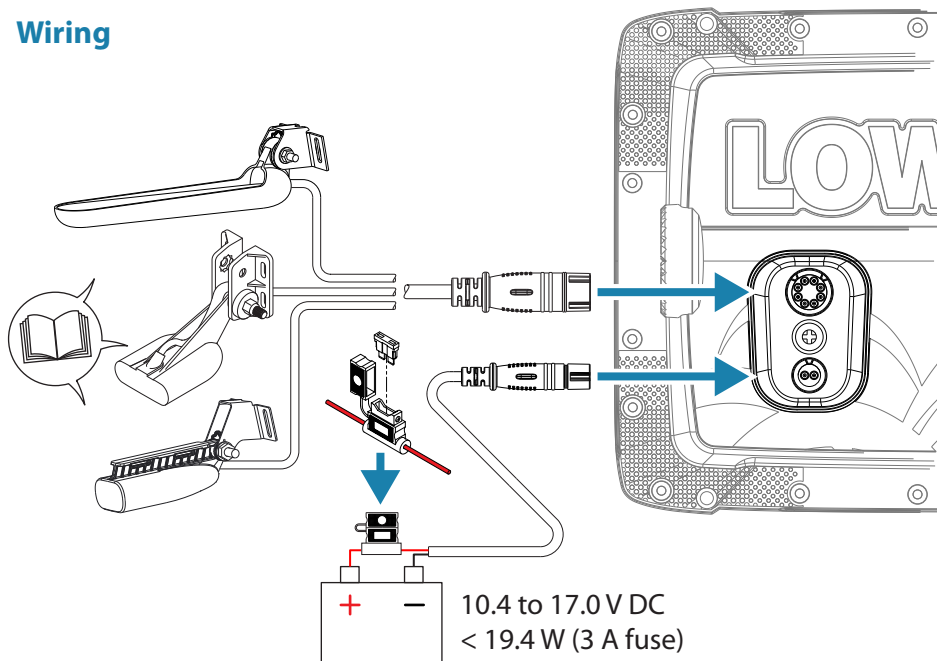
IPX6  
IPX7

# LOWRANCE®

## HOOK REVEAL 9 INSTALLATION GUIDE



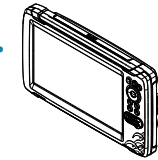
## Wiring



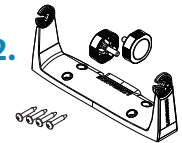
## Parts included

1. Display unit
2. Bracket mounting kit
3. Cable and fuse kit
4. SplitShot, TripleShot or 50/200 kHz Skimmer transducer
5. Document package

1.



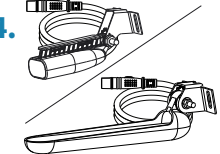
2.



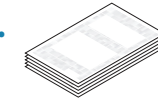
3.



4.



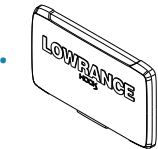
5.



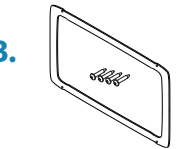
## Accessories (sold separately)

- A. Sun cover  
part no.: 000-14176-001
- B. Panel mounting kit  
part no.: 000-14189-001

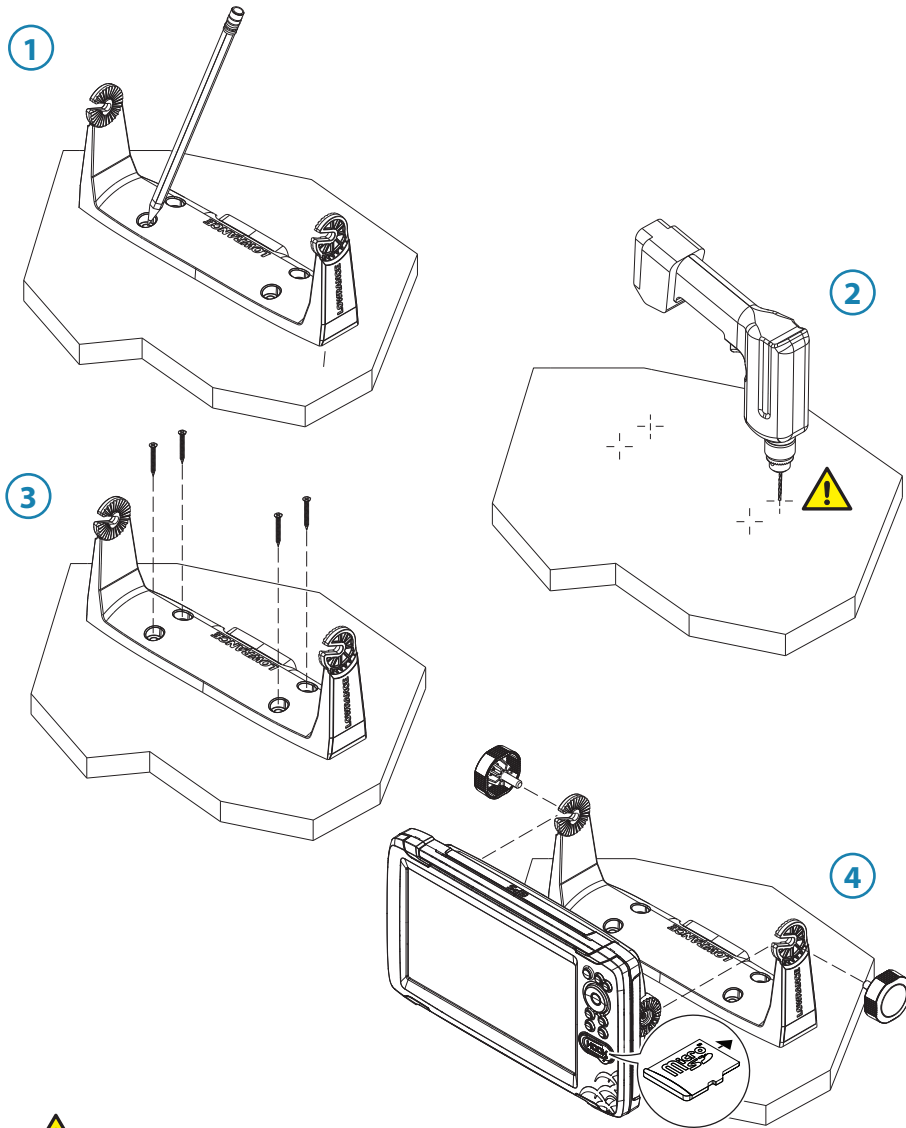
A.



B.



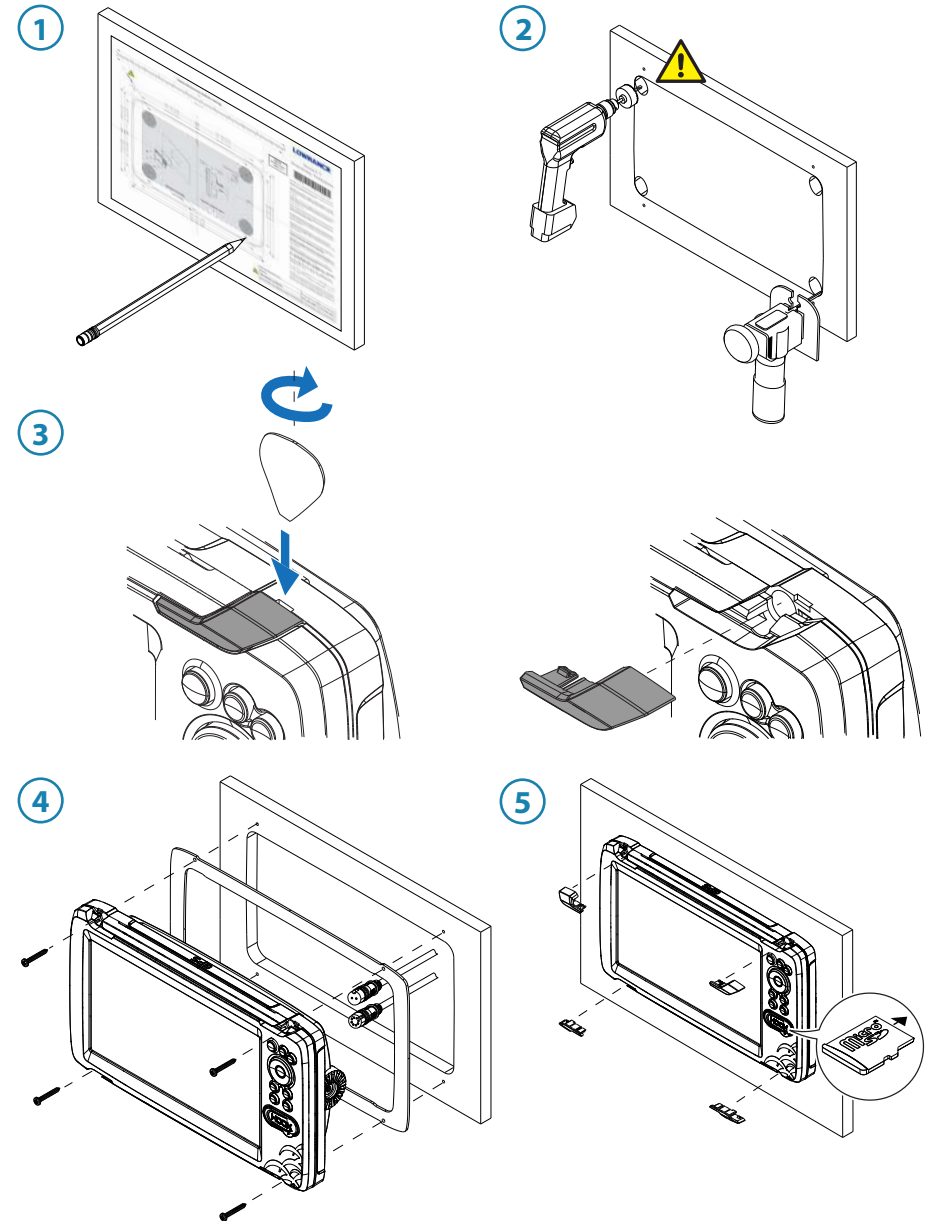
## Bracket mounting




 Recommended pilot holes.

Material	10# screw
Soft materials e.g. Plywood	Ø 3.7-4.0 mm (5/32")
Hard materials e.g. Fiberglass, Acrylic, Hardwoods	Ø 4.1-4.7 mm (3/16")

## Panel mounting



 See panel mounting template for drilling and cutting details.  
Panel mounting kit is sold separately.