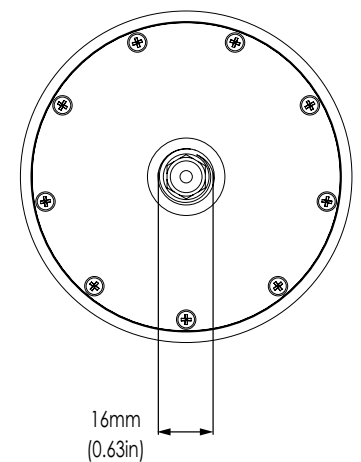
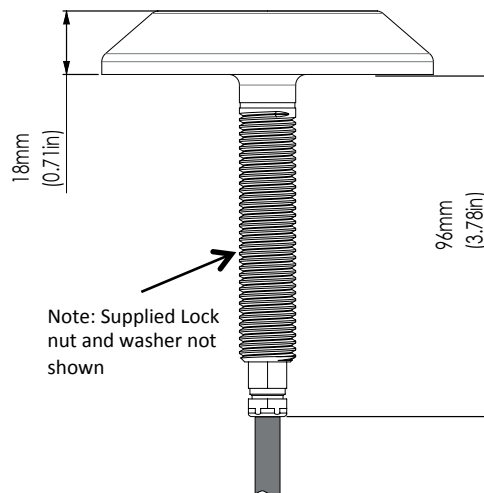
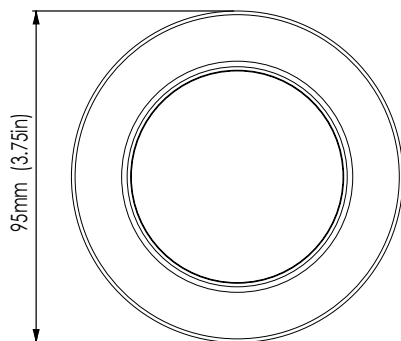


ORA Series - Single Color

THX203

ULTRA-SLIM THRU-HULL UNDERWATER LED LIGHT

PART DESCRIPTION	ORA THX203 THRU-HULL UNDERWATER LED LIGHT
Part Number	Blue: 60-0311 White: 60-0312
Available Colors	Single Color (Blue or White)
Lumens	12,600
Fixture Lumens (White)	5,600
Number & Type Of LED	White - 12 x 10W High Power LEDs Blue - 24 x 3W High Power LEDs
LED Power - HICOB Array	Yes
Typical LED Life	50,000+ Hours
Warranty	2 Years
User Control Options	On/Off Switch (Third party supplied)
Housing Type	Marine Bronze Body with Borosilicate Glass Lens



ORA Series - Single Color

THX203

ULTRA-SLIM THRU-HULL UNDERWATER LED LIGHT



TECHNICAL	
Driver	Internal Driver
Supply Voltage Range (12V or 24 V ONLY)	10.5 - 31 V DC
Max Current Draw 12/24V	4.9 A / 2.4 A
Surge Protection	Yes (3,000V)
ATRB (Automatic Thermal Roll-Back)	Yes
Low Voltage Protection	Automatic Voltage Roll-Back Control And Low Voltage Cut Out
Automatic Power Control	Yes - Intelligent Power Management
"Soft Start" Electronics Protection	Yes
Reverse Polarity Protection	Yes
In Rush Current Protection	Yes
Power Line Noise Suppression	Yes
Bonding	Required (Bonding Connection Provided on Light)
Electrical Installation	Simple 2 Wire Connection
Max Vessel Length	24m (80')

PHYSICAL	
Beam Angle	110°
Water Ingress Protection Rating	IP68
Light Face Diameter	95mm (3.75")
Profile (Height) Of Housing	18mm (0.71")
Shaft Length	96mm (3.78")
Housing Type	Marine Bronze Body with Borosilicate Glass Lens
Light Cable Length	2m (6'6") Standard (Can be extended *)
Hole Cut-Out for Shaft (Hole Cutter Size)	Metric: 16.5mm Imperial: 21/32 " (0.656")
Weight	800g (1.76 Lbs)
Mechanical Installation	Thru-Hull Fitting

* Extension distance depends on cable type, refer to user manual for further information.