

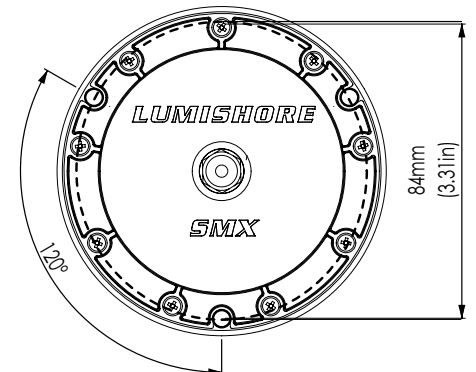
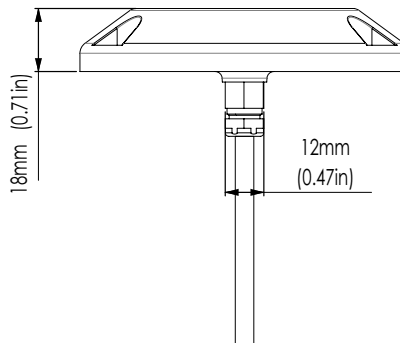
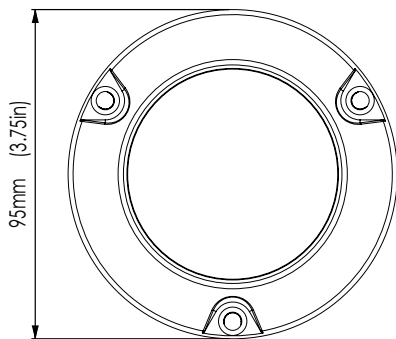


EOS Series - Full Color Change

SMX153

SURFACE MOUNT UNDERWATER LED LIGHT

PART DESCRIPTION	EOS SMX153 SURFACE MOUNT UNDERWATER LED LIGHT
Part Number: SMX 153 EOS Starter Pack	60-0319 (2 x SMX 153 Lights, 1 x EOS Min-i Controller, 1 x EOS i-Connect Hub)
Available Colors	Full EOS Color Change
Lumens	12,375
Fixture Lumens (White)	5,500
Number & Type Of LED	White-12×10W / Green-12×3W / Blue-12×3W / Red-16×3W
LED Power - HICOB Array	Yes
Typical LED Life	50,000+ Hours
Warranty	2 Years
User Control Options	EOS Min-i Controller (see reverse for full function list)
Electrical Installation	Plug-and-Play Connections
Housing Type	Marine Bronze Body with Borosilicate Glass Lens



EOS Series - Full Color Change**SMX153**

SURFACE MOUNT UNDERWATER LED LIGHT

**LUMI-LINK™****TECHNICAL**

Driver	Multi-Channel Internal Driver
Supply Voltage Range	10.5–31 V DC
Max Current Draw 12/24V	4.0 A/2.0 A
Surge Protection	Yes (3,000V)
ATRB (Automatic Thermal Roll-Back)	Yes
Low Voltage Protection	Automatic Voltage Roll-Back Control And Low Voltage Cut Out
Auto Power Control	Yes - Intelligent Multi-Channel Power Management
“Soft Start” Electronics Protection	Yes
Reverse Polarity Protection	Yes
In Rush Current Protection	Yes
Power Line Noise Suppression	Yes
Bonding	Not Required
Communications Protocol	Lumi-DMX (DMX 512 and RDMX Compatible)
Electrical Installation	Plug-and-Play Connections
Max Vessel Length	15m (50')

PHYSICAL

Beam Angle	90°
Water Ingress Protection Rating	IP68
Light Face Diameter	95mm (3.75")
Profile (Height) Of Housing	18mm (0.71")
Housing Type	Marine Bronze Body with Borosilicate Glass Lens
Light Cable Length	3m (9'9") Standard, 3m (9'9") Extension cable. Note: 6m (19'6") max total length
Hole Cut-Out for Cable (Drill bit size)	Metric: 13.5mm Imperial: 17/32" (0.5313")
Weight	490g (1.08 Lbs)
Mechanical Installation	3 x Marine Bronze Screws (Provided)

LIGHTING SYSTEM FUNCTIONALITY

Mode	EOS Min-i & Hub	MFD w/Lumi-Link
Full Color Spectrum Color Cycle	Yes	Yes
Preset Colors	Yes	Yes
Lights Synchronized (All Lights, All Colors, All Modes)	Yes	Yes
Fixed Strobe (Any Color, Adjustable Speed)	Yes	Yes
Random Strobe Mode (Any Color)	Yes	Yes
Customizable Strobe Mode	Yes	Yes
Color Cycle (Adjustable Speed)	Yes	Yes
Color Sweep (Adjustable Speed)	Yes	Yes
Customizable Favorites	Yes	Yes
Sound-To-Light	Yes	Yes
Individually Addressable Lights	Yes	Yes
External DMX/RDMX	Yes	Yes
Brightness Adjust	Yes	Yes
Automatic Light Discovery And Setup	Yes	Yes
Diagnostic Function	Yes	Yes
Wi-Fi Control (via iOS Device)	Yes	Yes
Wi-Fi Control (via MFD)	w/ Lumi-Link Bridge	Yes
Lumi-Link MFD Integration	w/ Lumi-Link Bridge	Yes

Note: The EOS Min-i Controller is compatible with Lumishore Lumi-Link products. This allows easy integration and control of the lights directly from a compatible MFD.

ACCESSORIES**PART NUMBER**

SMX153 Light	60-0316
EOS i-Connect Hub (up to 4 lights per Hub)	60-0321
EOS Lumi-Link Bridge Module for Garmin OneHelm™	60-0322
EOS Lumi-Link Black Box Module for Garmin OneHelm™	60-0335
Light Extension Cable - 3m (9'9")	24-0121


LUMI-LINK™
 PLUG-&-PLAY MFD INTEGRATION

The world's first marine lighting API (Application Programming Interface) allowing plug-&-play integration of Lumishore SUPRA & EOS underwater lighting systems with a single cable to your certified Multi-Function Display (MFD) creating a centralized control platform for the entire vessel reducing helm clutter and simplifying vessel operation. Now available for Garmin OneHelm™ MFDs.