



LUMI-LINK™

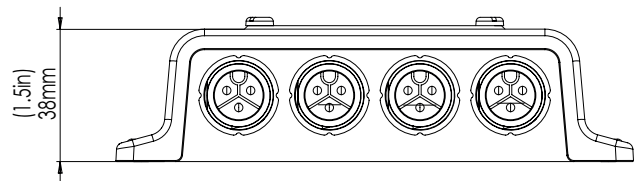
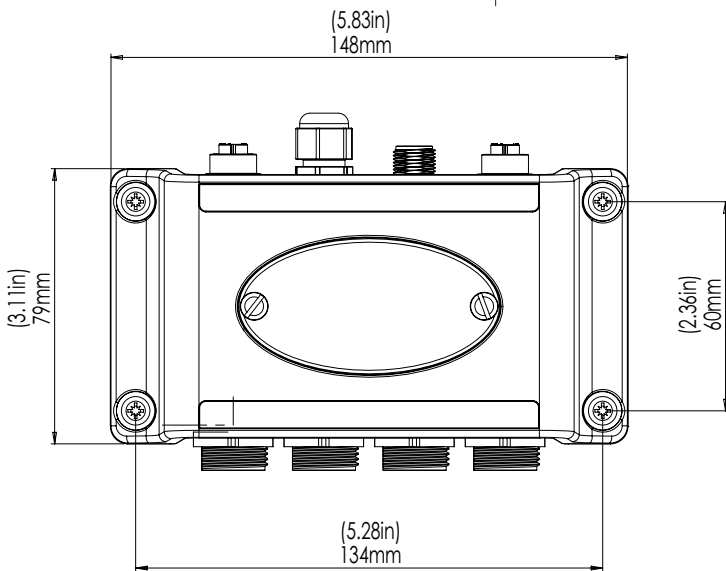
SUPRA Series

i-Connect Hub

JUNCTION BOX FOR SUPRA SERIES LIGHTS



PART DESCRIPTION	SUPRA I-CONNECT HUB
Part Number	60-0317
For Use With	All SMX, THX and TIX SUPRA Series Underwater Lights (DC Versions)
Max Number of Lights Per Hub	4
Max Number of Hubs Per Installation	Surface Mount (SMX) - 4 Thru-Hull (THX / TIX) - up to 16
Ingress Protection Rating	IP68
Features	Full Lumi-Link Capability for Control via Certified MFD Specially Designed for Ease of Installation Plug and Play Connections IP68 Field Installable Connectors (supplied) Built in Switching Power Relay Replaceable Blade Fuse For Each Light Status Indication LED for Each Light Built In Noise Filter
Warranty	2 Years
User Control Options	SUPRA i-Connect Hub Switch



NOTE: CABLES NOT SHOWN

SUPRA Series

i-Connect Hub

JUNCTION BOX FOR SUPRA SERIES LIGHTS



TECHNICAL

Number of Lights per Hub	4
Max Number of Hubs per Installation (Surface Mount)	4 hubs (16 Lights)
Max Number of Hubs per Installation (Thur Hull)	16 hubs (64 Lights) (Note: for larger systems please contact Lumishore for options)
Connections	Field Installable Connector
Fuses	Replaceable Blade Fuses. Each Light Individually Fused
Status Indication LEDs	Yes – for Each Light
Voltage Range	10 .5 – 31V DC
Max Input Current	40 A
Max Output Current (i.e. Max Current Per Light)	10 A
Cable Entry / Exit	IP68 Connections
Switching Method	Built-in Relay
Noise Suppression	Built-in Noise Filter
Reverse Polarity Protection	Yes
Lumi-Link Compatible	Yes

PHYSICAL

Ingress Protection	IP 68
Size - Not Including Cable Glands (LxWxH)	148 mm x 79 mm x 38 mm (5.83" x 3.11" x 1.50")
Box Construction	Robust Weatherproof ABS

SUPRA I-CONNECT HUB LIGHTING SYSTEM FUNCTIONALITY

Mode	Toggle switch to move to the next mode
White	Yes
Blue	Yes
White Strobe	Yes
Blue Strobe	Yes
Synchronized Strobe	Yes
Fade Mode	Yes
Synchronized Fade Mode	Yes

I-CONNECT HUB ACCESSORIES PART NUMBER

SUPRA i-Connect Hub Switch	60-0318
SUPRA Lumi-Link Bridge Module for Garmin OneHelm™	60-0353

LUMI-LINK™
PLUG-&-PLAY MFD INTEGRATION

The world's first marine lighting API (Application Programming Interface) allowing plug-&-play integration of Lumishore SUPRA & EOS underwater lighting systems with a single cable to your certified Multi-Function Display (MFD) creating a centralized control platform for the entire vessel reducing helm clutter and simplifying vessel operation. Now available for Garmin OneHelm™ MFDs.