



LUMI-LINK™

SUPRA Series - THX/TIX

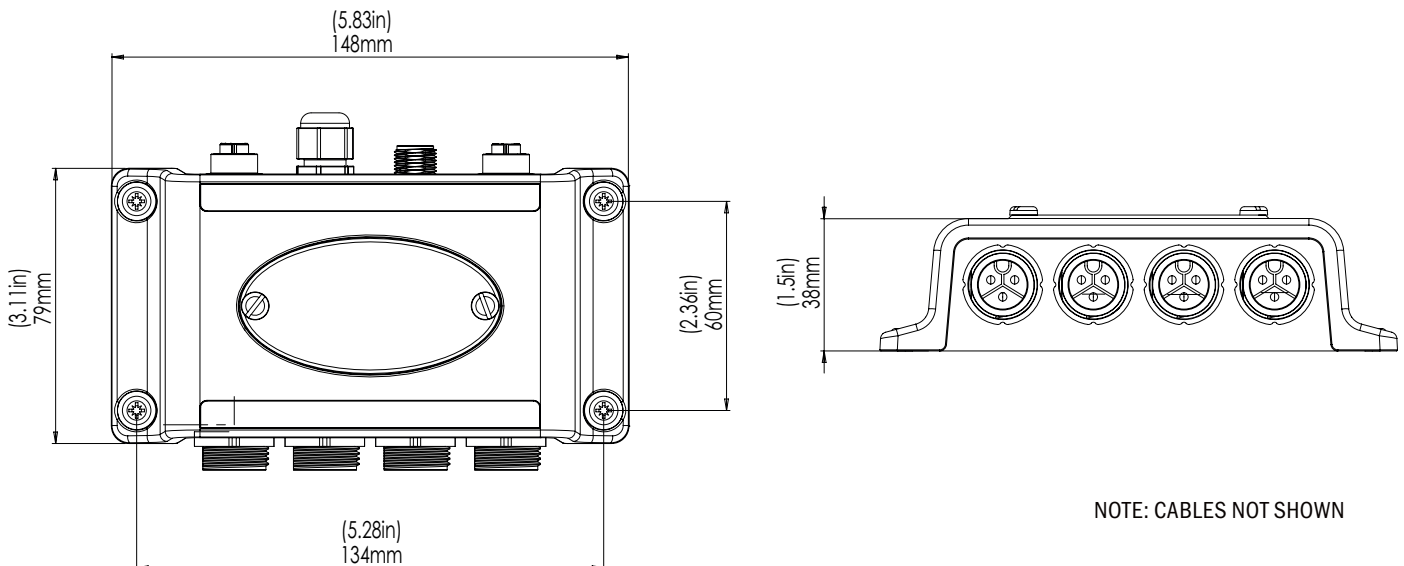
i-Connect Hub Kit

JUNCTION BOX & SWITCH FOR SUPRA THX/TIX SERIES LIGHTS



PART DESCRIPTION	SUPRA THX/TIX I-CONNECT HUB & SWITCH
Part Number	60-0329 (HUB & SWITCH)
For Use With	All THX and TIX SUPRA Series Underwater Lights (DC Versions)
Max Number of Lights Per Hub	4
Max Number of Hubs Per Installation	Up to 16 (THX/TIX)
Ingress Protection Rating	IP68
Features	Full Lumi-Link Capability for control via certified MFD Specially Designed for Ease of Installation IP 68 Plug and Play Connections Built in Switching Power Relay Replaceable Blade Fuse For Each Light Status Indication LED for Each Light Built In Noise Filter
Warranty	2 Years
User Control Options	SUPRA i-Connect Hub Switch Control via certified MFD*

* Requires SUPRA Lumi-Link Bridge Module



NOTE: CABLES NOT SHOWN

SUPRA Series - THX/TIX

i-Connect Hub Kit

JUNCTION BOX & SWITCH FOR SUPRA SERIES THX/TIX LIGHTS



TECHNICAL	
Number of Lights per Hub	4
Max Number of Hubs per Installation (Thru-Hull)	16 Hubs (64 Lights) (Note: for larger systems please contact Lumishore for options)
Connections	Plug and Play
Fuses	Replaceable Blade Fuses. Each Light Individually Fused
Status Indication LEDs	Yes - for Each Light
Voltage Range	10.5 - 31V DC*
Max Input Current	40 A
Max Output Current (i.e. Max Current Per Light)	10 A
Cable Entry / Exit	IP68 Connections
Switching Method	Built-in Relay
Noise Suppression	Built-in Noise Filter
Reverse Polarity Protection	Yes
Lumi-Link Compatible	Yes

*Some lights are 24V DC only - refer to the light Datasheet for further information

PHYSICAL	
Ingress Protection	IP 68
Size - Not Including Cable Glands (LxWxH)	148 mm x 79 mm x 38 mm (5.83" x 3.11" x 1.50")
Box Construction	Robust Weatherproof ABS

SUPRA I-CONNECT HUB & SWITCH FUNCTIONALITY	
Mode	Toggle switch to move to the next mode
White	Yes
Blue	Yes
Strobe	Yes
Synchronized Strobe	Yes
Fade Mode	Yes
Synchronized Fade Mode	Yes
Light Control via MFD Screen	Yes*

*These features require a SUPRA Lumi-Link Bridge Module and compatible MFD. This allows easy integration and control direct from MFDs, and other third party control systems.

SUPRA I-CONNECT HUB ACCESSORIES	PART NUMBER
Additional THX / TIX Hub	60-0330
3m Light Extension Cable	24-0247
SUPRA Lumi-Link Bridge Module for Garmin MFDs with OneHelm™ Integration	60-0353

LUMI-LINK™

PLUG-&-PLAY MFD INTEGRATION

The world's first marine lighting API (Application Programming Interface) allowing plug-&-play integration of Lumishore SUPRA & EOS underwater lighting systems with a single cable to your certified Multi-Function Display (MFD) creating a centralized control platform for the entire vessel reducing helm clutter and simplifying vessel operation. Now available for Garmin OneHelm™ MFDs.