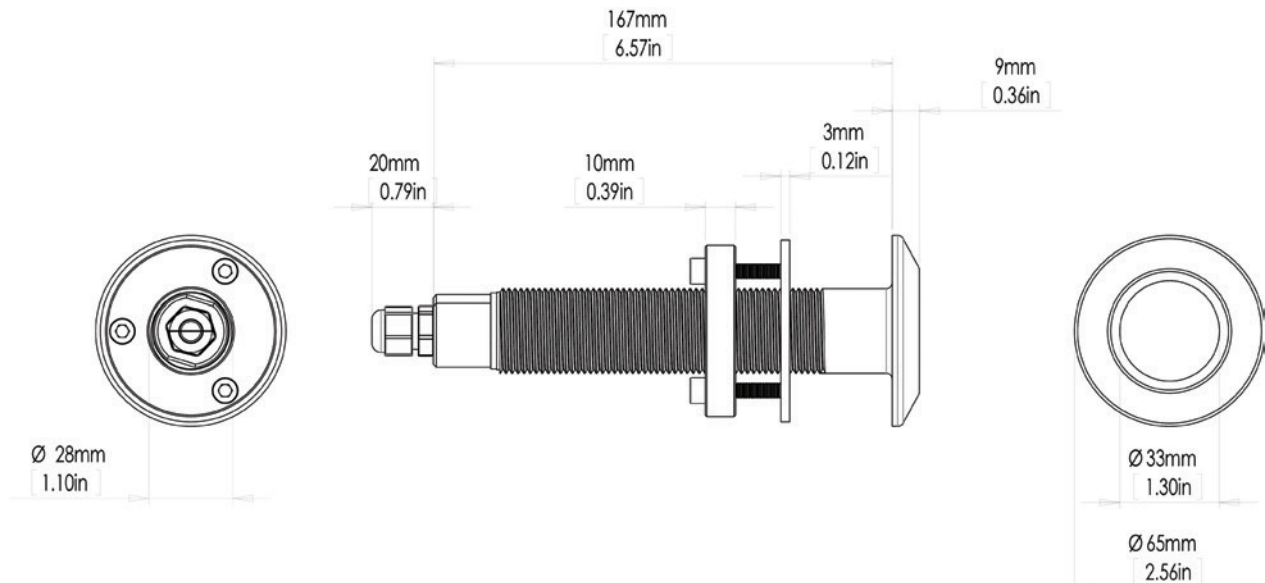


ORA Series - Single Color TIX202

INTERCHANGEABLE THRU-HULL UNDERWATER LED LIGHT



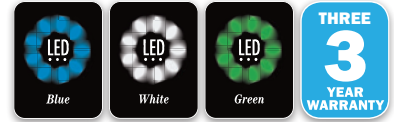
PART DESCRIPTION	ORA TIX202 INTERCHANGEABLE THRU-HULL UNDERWATER LED LIGHT
Part Number	White: 60-0151 Blue: 60-0152 Green: 60-0153
Available Colors	Single Color (Blue, White or Green)
Lumens	9,225
Fixture Lumens (White)	4,100
Number & Type Of LED	White - 11 x 10W High Power LEDs Blue & Green - 22 x 3W High Power LEDs
LED Power - HICOB Array	Yes
Typical LED Life	50,000+ Hours
Warranty	3 Years
User Control Options	On/Off Switch (third party supplied)



ORA Series - Single Color

TIX202

INTERCHANGEABLE THRU-HULL UNDERWATER LED LIGHT



TECHNICAL

Driver	Internal Driver
Supply Voltage Range	10.5–30 V DC
Max Current Draw 12/24V	4.0 A / 1.9 A
Surge Protection	Yes (3,000V)
ATRB (Automatic Thermal Roll-Back)	Yes
Low Voltage Protection	Automatic Voltage Roll-Back Control And Low Voltage Cut Out
“Soft Start” Electronics Protection	Yes
Reverse Polarity Protection	Yes
In Rush Current Protection	Yes
Power Line Noise Suppression	Yes

PHYSICAL

Beam Angle	60°
Water Ingress Protection Rating	IP68
Light Face Diameter	65mm / 2.56”
Profile (Height) Of Housing	9mm / 0.36”
Shaft Length	167mm / 6.57”
Housing Type	Marine Bronze Body with Borosilicate Glass Lens
Light Cable Length	2m / 6’6”
Hole Cut-Out for Shaft (Hole Cutter Size)	Metric: 28mm Imperial: 1-1/8” (1.1”)
Weight	730g (1.6 Lbs)
Bonding	Required (Bonding Connection Provided on Light)
Isolation Option	Hull Isolation Sleeves Available For Metal Hull Installation

ACCESSORIES **PART NUMBER**

AC Power Supply (90-260V input)	39-0051
---------------------------------	---------