



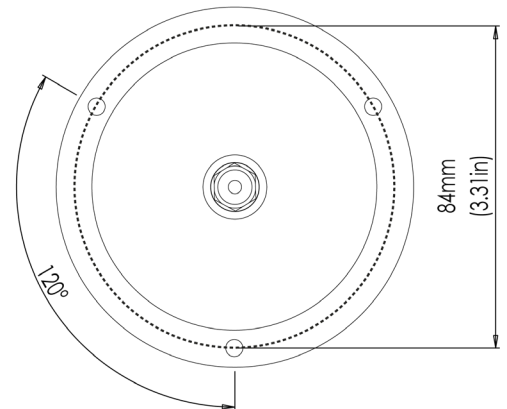
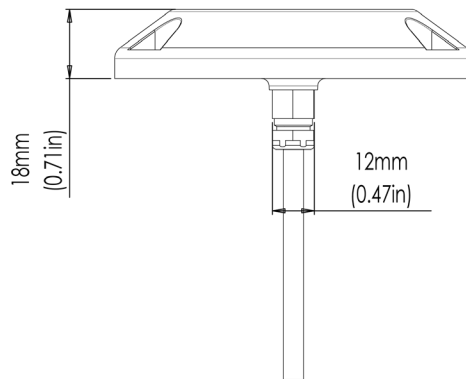
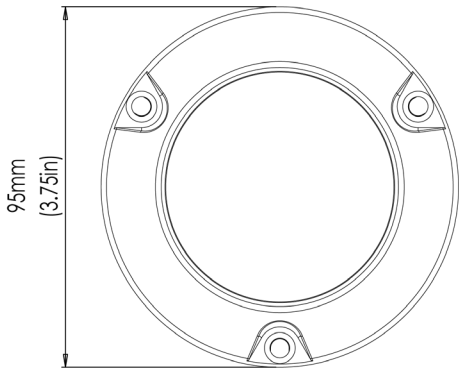
**ORA Series - Blue**

# SMX53B

SURFACE MOUNT UNDERWATER LED LIGHT



PART DESCRIPTION	ORA SMX53B SURFACE MOUNT UNDERWATER LED LIGHT
Part Number	60-0410
Available Colors	Blue
Lumens	6,750
Fixture Lumens (White)	3,000
Number & Type Of LED	Blue-9x3W
LED Power - HICOB Array	Yes
Typical LED Life	50,000+ Hours
Warranty	2 Years
User Control Options	On/Off Switch (Third party supplied)
Electrical Installation	Simple 2 Wire Connection
Housing Type	Marine Bronze Body with Borosilicate Glass Lens



# ORA Series - Blue

## SMX53B

SURFACE MOUNT UNDERWATER LED LIGHT



TECHNICAL	
Driver	Multi-Channel Internal Driver
Supply Voltage Range	10.5–31 V DC
Max Current Draw 12/24V	1.7 A/0.75 A
Surge Protection	Yes (3,000V)
ATRB (Automatic Thermal Roll-Back)	Yes
Low Voltage Protection	Automatic Voltage Roll-Back Control And Low Voltage Cut Out
Auto Power Control	Yes - Intelligent Multi-Channel Power Management
“Soft Start” Electronics Protection	Yes
Reverse Polarity Protection	Yes
In Rush Current Protection	Yes
Power Line Noise Suppression	Yes
Bonding	Not Required
Electrical Installation	Simple 2 Wire Connection
Max Vessel Length	15m (50')
Hull Material Type	All (Isolation Kit Must Be Used On Conductive Hull Materials)

PHYSICAL	
Beam Angle	90°
Water Ingress Protection Rating	IP68
Light Face Diameter	95mm (3.75")
Profile (Height) Of Housing	18mm (0.71")
Housing Type	Marine Bronze Body with Borosilicate Glass Lens
Light Cable Length	2m (6'6") Standard (Can be extended *)
Hole Cut-Out for Cable (Drill bit size)	Metric: 13.5mm Imperial: 17/32" (0.5313")
Weight	600g (1.32 Lbs)
Mechanical Installation	3 x Marine Bronze Screws (Provided)

\* Extension distance depends on cable type, refer to user manual for further info

ACCESSORIES	PART NUMBER
SMX M Series Hull Isolation Kit	39-0203