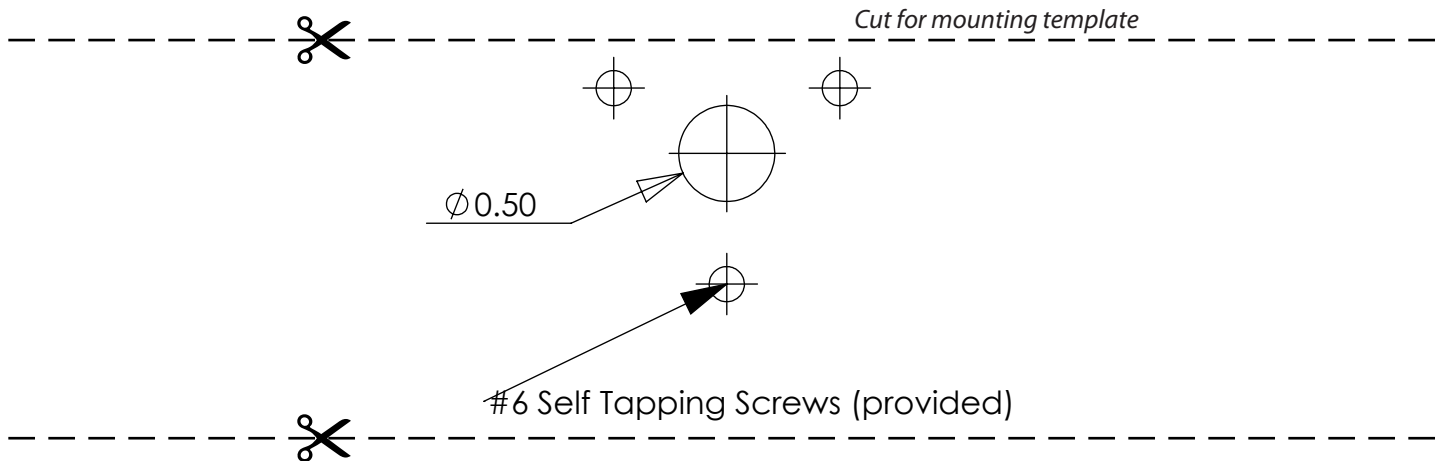


90mA @ 12VDC



PRINT TO SCALE!

High Intensity Anywhere Light



Mounting Instructions

- Drill wire exit hole in center of desired mounting position
- Place Anywhere Light in desired orientation and secure with #6 mounting screws (provided)
- Attach appropriate electrical wiring and enjoy.

Light circuits should be protected with an appropriately sized fuse. Each light draws approximately 90mA at 12VDC. Fuses on circuits with multiple lights should be sized accordingly.