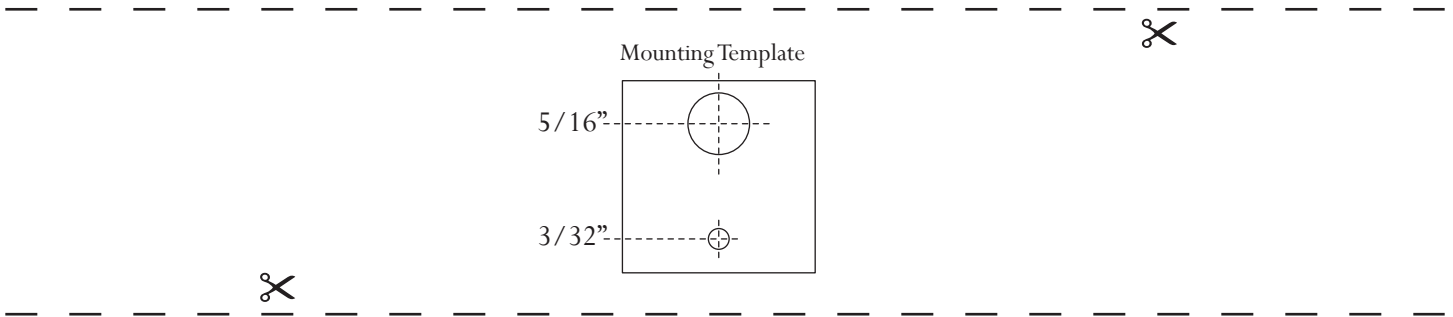


30mA @ 12VDC



PRINT TO SCALE!

Andros - Courtesy/Accent Light



Mounting Instructions:

- Please use mounting template provided to position mounting holes.
- Drill for both the wire exit and a predrilled hole for the mounting screw.
- Attach stainless steel housing with #4 mounting screw provided.
- Connect to 12VDC power supply.

Light circuits should be protected with an appropriately sized fuse. Each light draws approximately 30mA at 12VDC. Fuses on circuits with multiple lights should be sized accordingly.