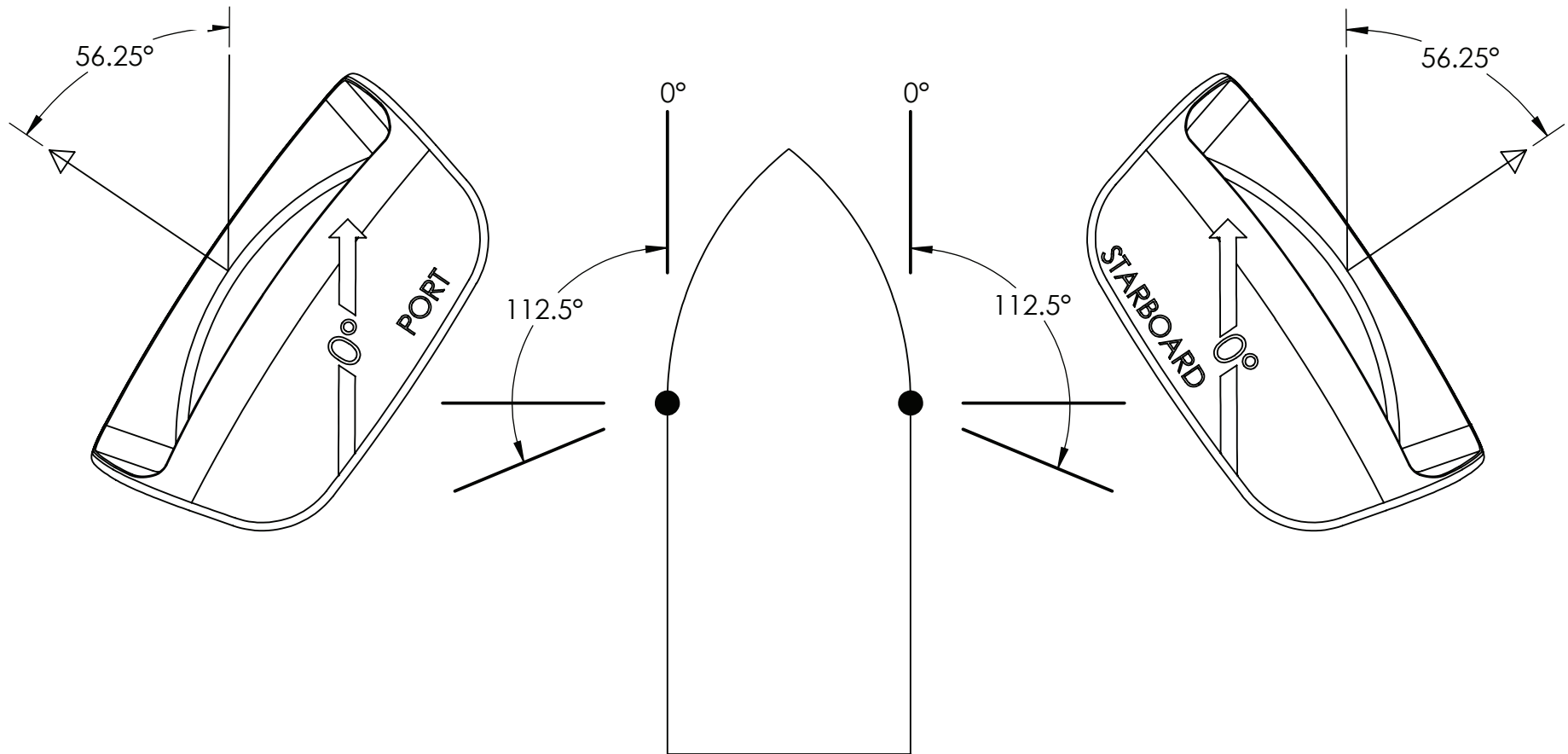




NAVIGATION LIGHTS

INSTALLATION REQUIREMENTS:

1. LIGHTS SHALL NOT BE OBSCURED BY THE HULL, DECK, FIXED STRUCTURES, OPTIONAL EQUIPMENT, OR DESIGNATED OCCUPANT POSITIONS UNDER NORMAL OPERATING CONDITIONS
2. INSTALL LIGHTS TO PREVENT REFLECTION OFF THE VESSEL WITHIN THE OPERATOR'S FIELD OF VISION
3. MOUNT LIGHTS TO ENSURE ILLUMINATION OVER THE REQUIRED ARC OF VISIBILITY AS SHOWN, AND TO SATISFY THE REQUIRED VERTICAL SEPARATION WHEN THE VESSEL IS IN A STATIC FLOATING POSITION, OR WHEN MEASURED USING THE DATUM WATER LINE AS A REFERENCE.
4. MOUNT LIGHTS SO AS TO MINIMIZE DAMAGE BY CONTACT WITH OTHER OBJECTS UNDER NORMAL OPERATING CONDITIONS.





NAVIGATION LIGHTS

MODULE INSTALLATION INSTRUCTIONS:

1. WITH THE CABLE THROUGH THE CENTER SLOT OF THE HOUSING, CONNECT POSITIVE AND NEGATIVE WIRES TO THE APPROPRIATE POWER SOURCE (10V-30V). THIS CAN BE DONE BEFORE OR AFTER SNAPPING THE LIGHT MODULE INTO THE HOUSING.
2. TO ENGAGE THE LIGHT MODULE INTO THE HOUSING, FEED THE REMAINING LENGTH OF CABLE THROUGH THE CENTER SLOT AND PRESS THE FRONT FACE OF THE WINDOW GENTLY INTO THE HOUSING UNTIL THE SNAPS ENGAGE WITH AN AUDIBLE CLICK.
3. TO REMOVE THE LIGHT MODULE, THE SNAPS CAN BE ACCESSED FROM THE BACK OF THE HOUSING AND COMPRESSED INWARD.

