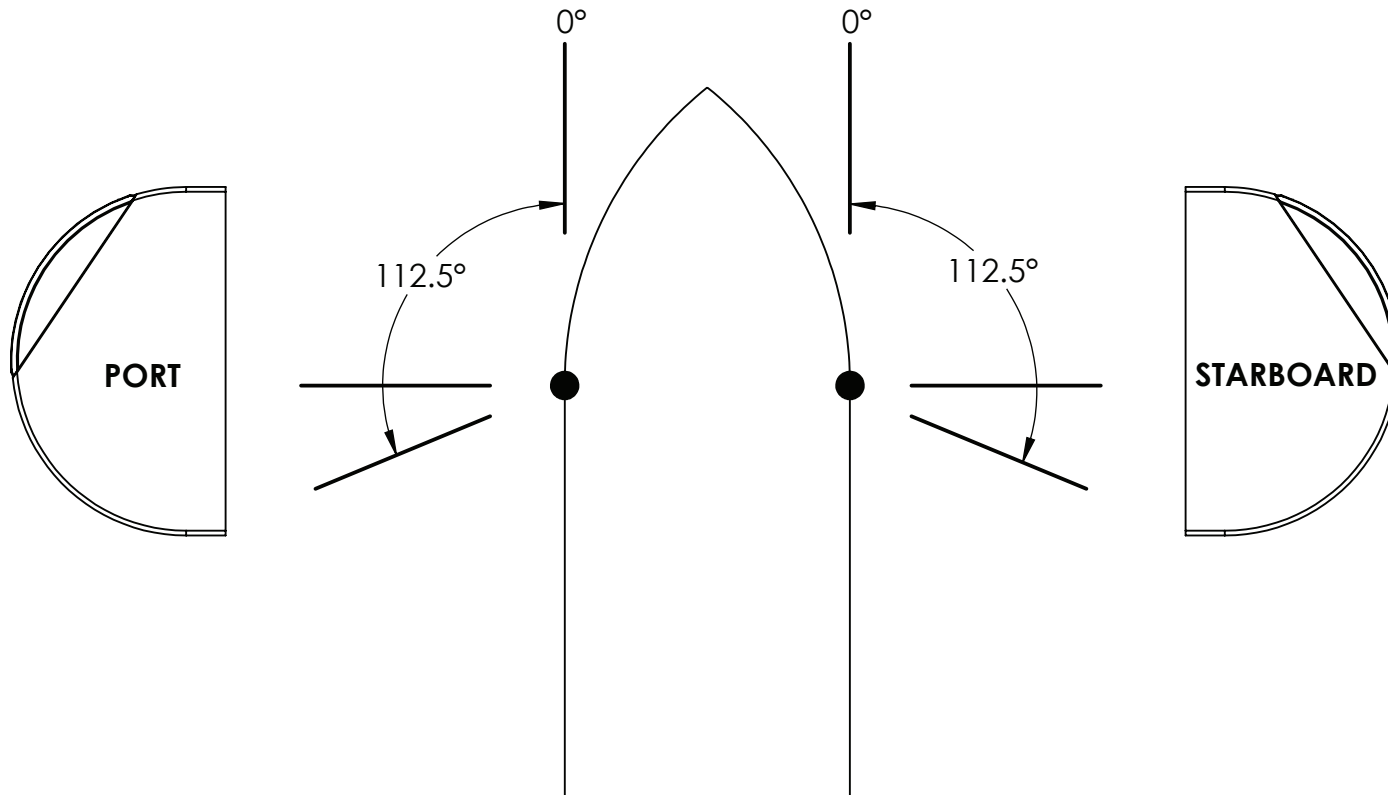




NAVIGATION LIGHTS

INSTALLATION REQUIREMENTS:

1. LIGHTS SHALL NOT BE OBSCURED BY THE HULL, DECK, FIXED STRUCTURES, OPTIONAL EQUIPMENT, OR DESIGNATED OCCUPANT POSITIONS UNDER NORMAL OPERATING CONDITIONS
2. INSTALL LIGHTS TO PREVENT REFLECTION OFF THE VESSEL WITHIN THE OPERATOR'S FIELD OF VISION
3. MOUNT LIGHTS TO ENSURE ILLUMINATION OVER THE REQUIRED ARC OF VISIBILITY AS SHOWN, AND TO SATISFY THE REQUIRED VERTICAL SEPARATION WHEN THE VESSEL IS IN A STATIC FLOATING POSITION, OR WHEN MEASURED USING THE DATUM WATER LINE AS A REFERENCE.
4. MOUNT LIGHTS SO AS TO MINIMIZE DAMAGE BY CONTACT WITH OTHER OBJECTS UNDER NORMAL OPERATING CONDITIONS.



Rely only on high-grade boat underwater lights offered on our virtual shelves.