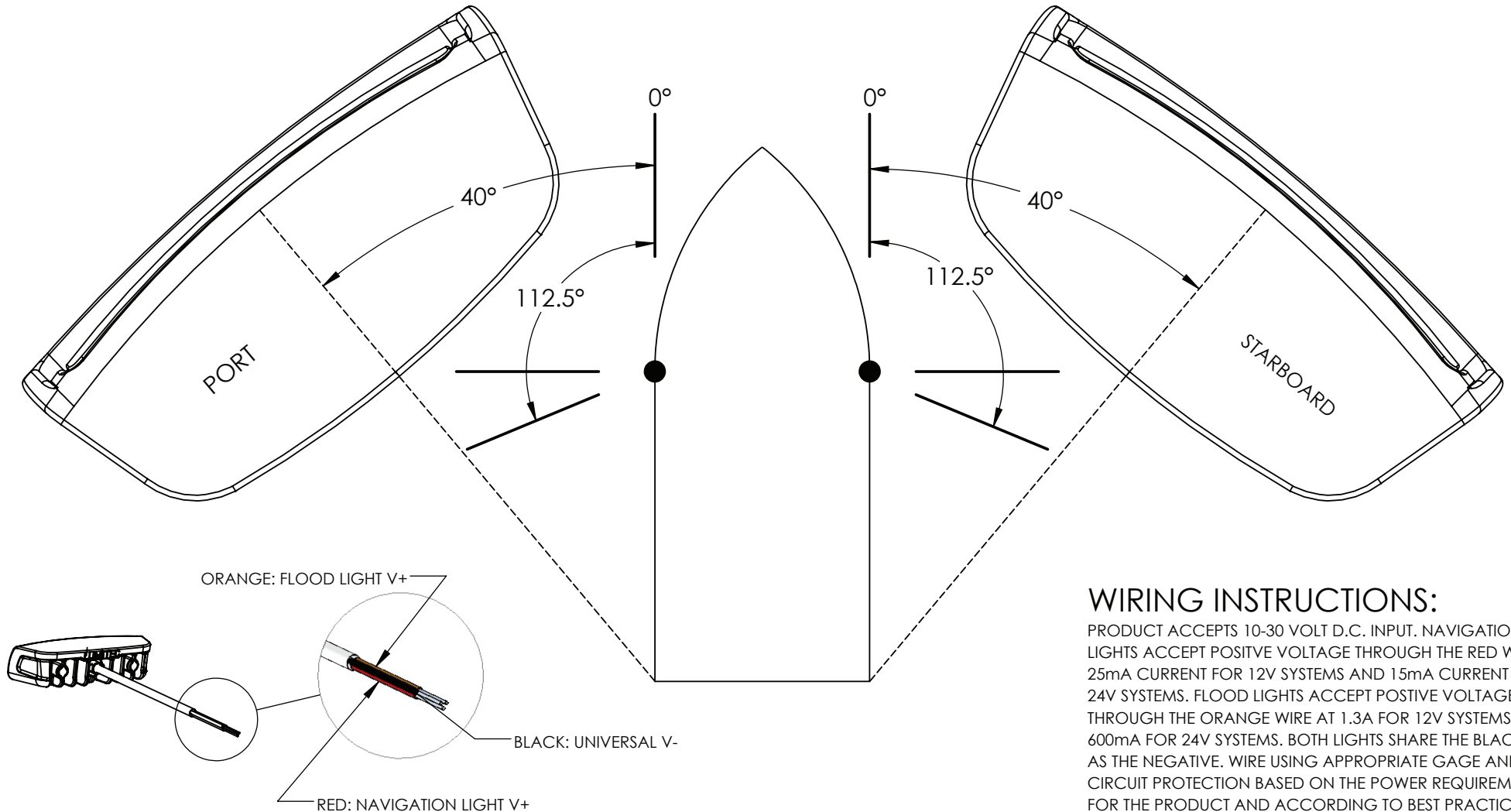




## NAVIGATION/DOCKING COMBO LIGHTS

### INSTALLATION REQUIREMENTS:

1. LIGHTS SHALL NOT BE OBSCURED BY THE HULL, DECK, FIXED STRUCTURES, OPTIONAL EQUIPMENT, OR DESIGNATED OCCUPANT POSITIONS UNDER NORMAL OPERATING CONDITIONS
2. INSTALL LIGHTS TO PREVENT REFLECTION OFF THE VESSEL WITHIN THE OPERATOR'S FIELD OF VISION
3. MOUNT LIGHTS TO ENSURE ILLUMINATION OVER THE REQUIRED ARC OF VISIBILITY AS SHOWN, AND TO SATISFY THE REQUIRED VERTICAL SEPARATION WHEN THE VESSEL IS IN A STATIC FLOATING POSITION, OR WHEN MEASURED USING THE DATUM WATER LINE AS A REFERENCE.
4. MOUNT LIGHTS SO AS TO MINIMIZE DAMAGE BY CONTACT WITH OTHER OBJECTS UNDER NORMAL OPERATING CONDITIONS.



### WIRING INSTRUCTIONS:

PRODUCT ACCEPTS 10-30 VOLT D.C. INPUT. NAVIGATION LIGHTS ACCEPT POSITIVE VOLTAGE THROUGH THE RED WIRE AT 25mA CURRENT FOR 12V SYSTEMS AND 15mA CURRENT FOR 24V SYSTEMS. FLOOD LIGHTS ACCEPT POSITIVE VOLTAGE THROUGH THE ORANGE WIRE AT 1.3A FOR 12V SYSTEMS AND 600mA FOR 24V SYSTEMS. BOTH LIGHTS SHARE THE BLACK WIRE AS THE NEGATIVE. WIRE USING APPROPRIATE GAGE AND CIRCUIT PROTECTION BASED ON THE POWER REQUIREMENTS FOR THE PRODUCT AND ACCORDING TO BEST PRACTICES OUTLINED BY ABYC.

Discover other marine lighting on our website.