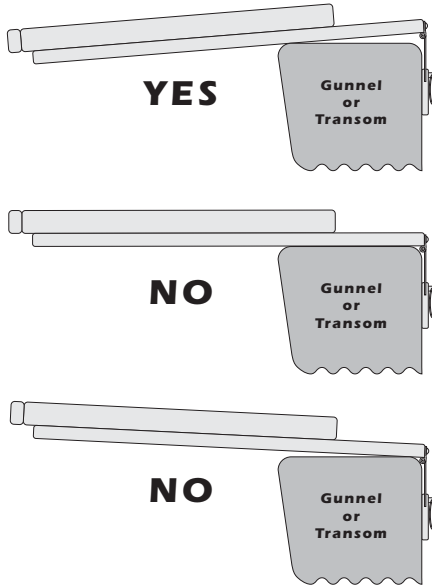


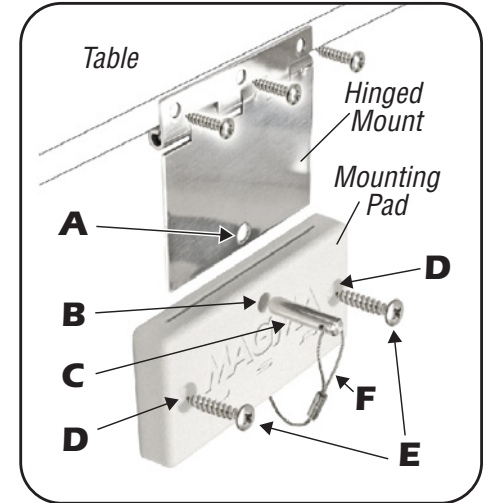
MOUNTING INSTRUCTIONS



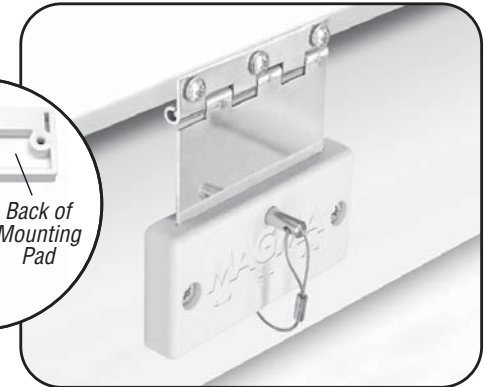
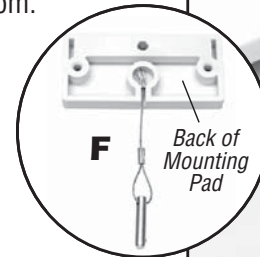
CONTENTS

- Polyethylene Bait & Filet Table with Stainless Steel Hinged Mount
- Polyethylene Mounting Pad
- Stainless Steel Push/Pull Pin
- (2) Stainless Steel Mounting Screws (#10 x 1" oval head self-tapping)

1. If needed attach hinged mount to table. Slide hinged mount into mounting pad, lining up "A" and "B". Insert pin "C".
2. Select desired table position on the boat. Insure table has slight angle for overboard water drainage (*see illustration at left*).
3. Mark gunnel or transom where "C" touches and drill a 17/64" hole.
4. Re-position table assembly so that pin "C" is in hole just drilled.



5. Double check position of table and mounting pad. Mounting pad should be parallel with gunnel or transom.
 - Mark screw holes "D".
 - Using an 11/64 drill bit, drill pilot holes.
 - Insert lanyard in slot in back of mounting pad "F".
 - Install screws "E".



Use caution when removing pin.
Hold on to table. Table may fall overboard.