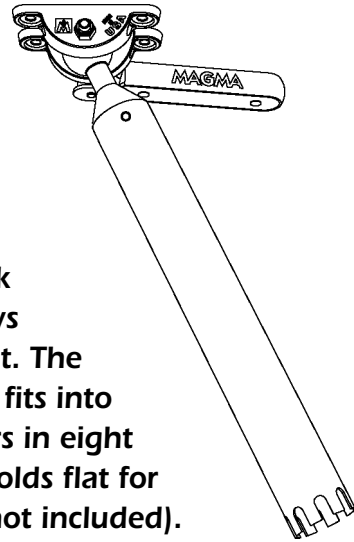


Fits any Magma Rectangular Grills, Single Mount "SM" & Tournament Series Tables

Heavy Duty

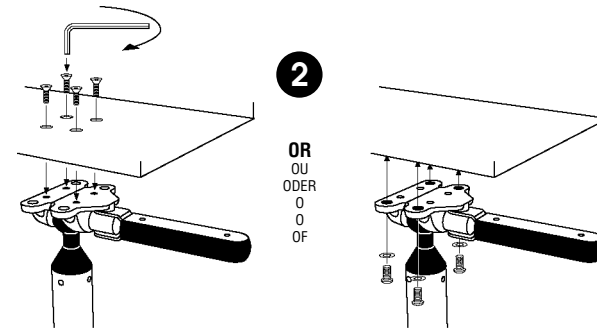
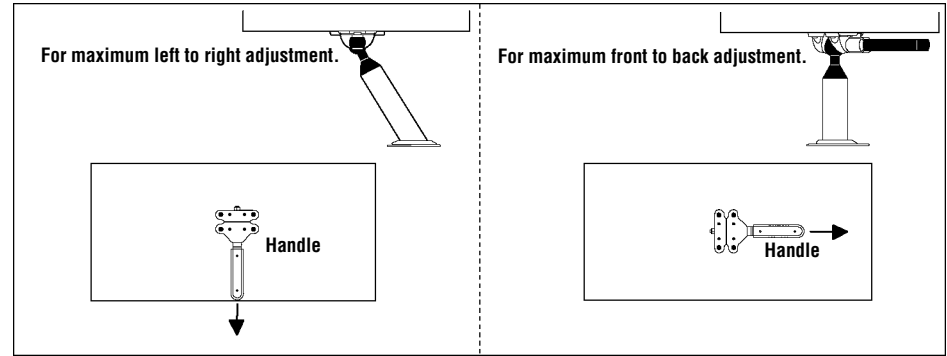
Nothing on the market compares to our newest, most versatile fish rod holder mount. It's made of space age heat treated stainless steel and hard anodized aluminum. Quick release cam action design allows convenient all angle adjustment. The 1-1/2", 18-8 stainless steel tube fits into most "crosspin" type rod holders in eight different rotational positions. Folds flat for compact storage. (Rod holder not included).



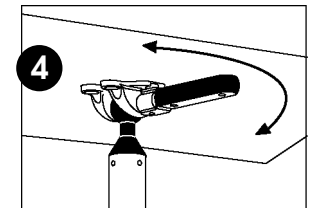
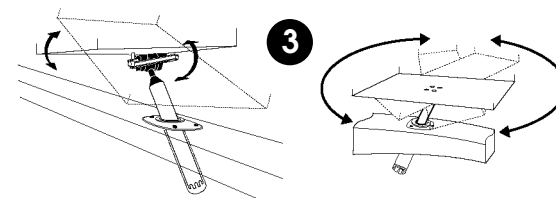
NOTE: Instructions and fasteners for mounting to Gourmet Series Grills, Connoisseur Series Grills, Bait/Filet Tables and Tournament Series Tables are included with the grills and tables.

1

Choose the option that best suits you.



ATTENTION:
Leave handle in loose position while mounting.



IMPORTANT: Make sure that the handle is tightened fully.

5



Fold flat for compact storage.