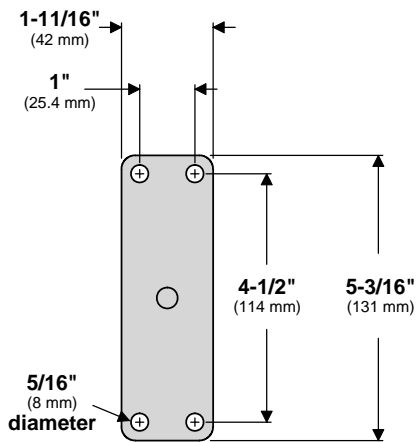
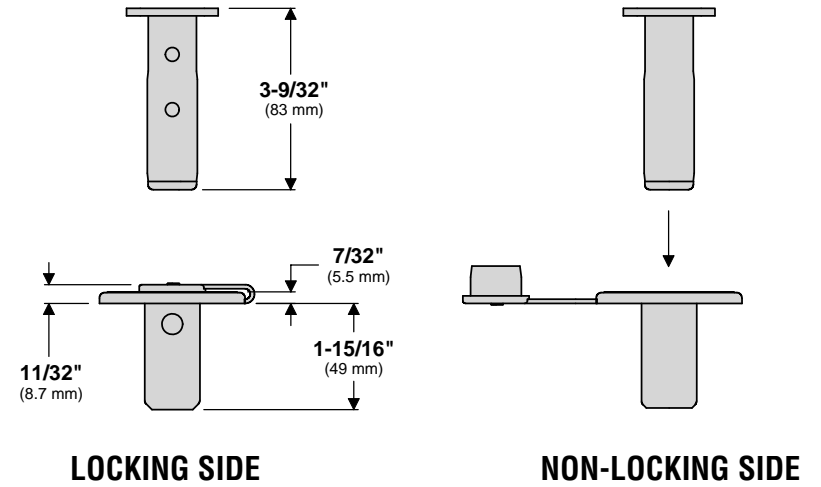
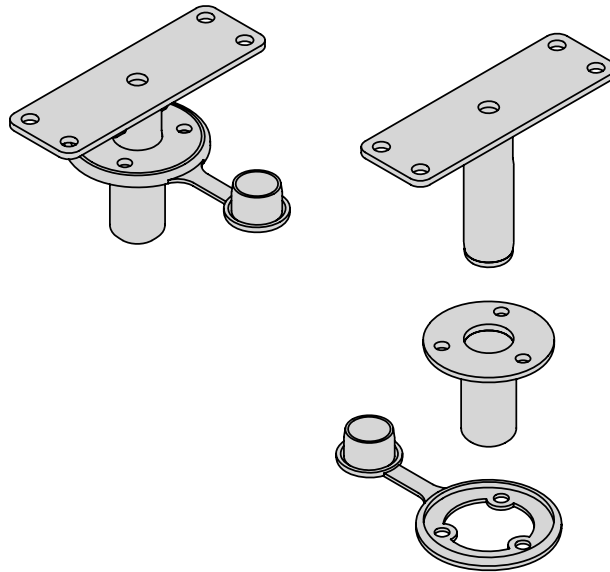
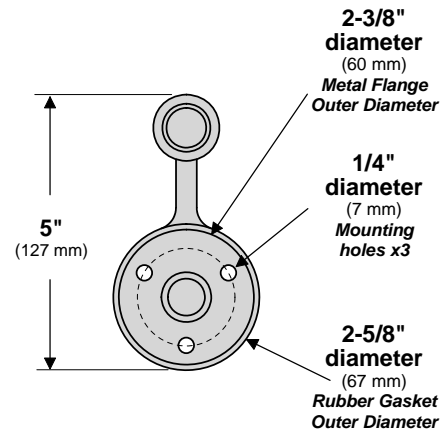


T10-526 "Dual" Locking Flush Deck Socket Mount

Mount Weight 1.51 lb.
(0.69 kg)



TOP VIEW



SOCKET TOP VIEW

