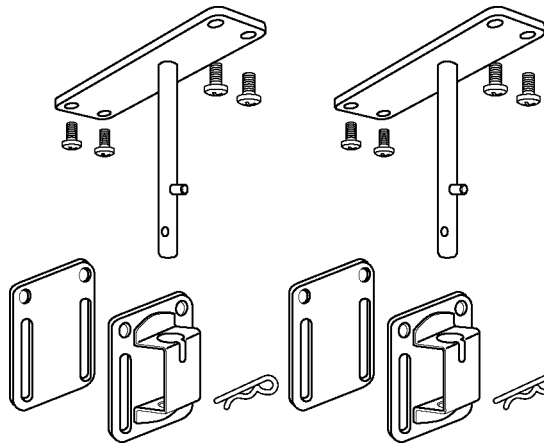


Use with Dual Mount "DM" Tables or Gourmet Series Grills

Heavy Duty

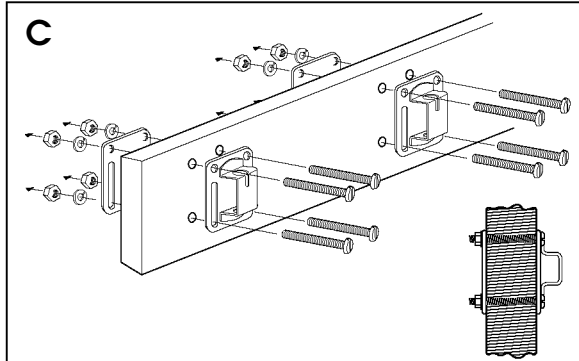
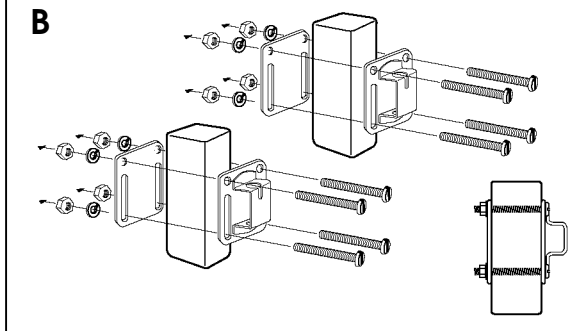
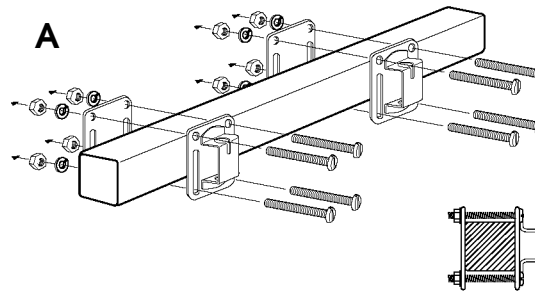
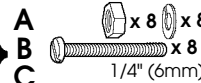


This 18-8 stainless steel mount attaches to any vertical flat surface such as bulkheads, hulls, transoms or cabin sides. Also

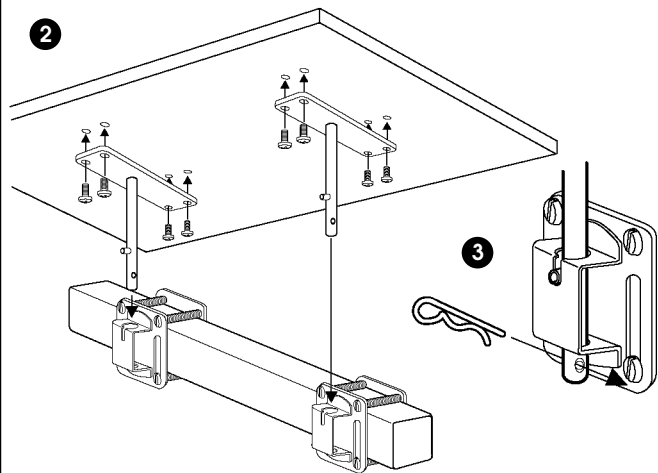
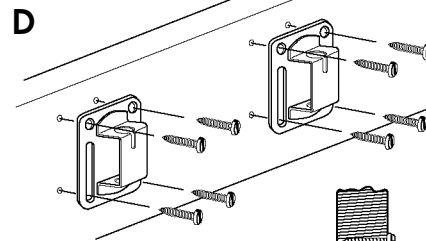
fits HORIZONTAL rails up to 2-1/4" (57mm) high by any depth or VERTICAL rails up to 1-5/8" (41mm) wide by any depth. Quickly disconnects for easy storage without tools.

1 : Install to horizontal level position

Fasteners are not included, rail size determines fastener length



Fasteners are not included, rail size determines fastener length



NOTE: Instructions and fasteners for mounting to Gourmet Series Grills are included with the grill.