

product specifications for:

# Marinco Horns

**Item #:** 10079 (Retail Packaged)  
11079 (Bulk Packaged)

**Description**

Drop-in Hidden Horn with Black and White Grills, 12V

**Electrical Specifications**

Max. Amp Draw: 4A  
Voltage: 12V  
Fundamental Frequency: 370±20 Hz  
dB(A) Rating: 107 at 1 meter



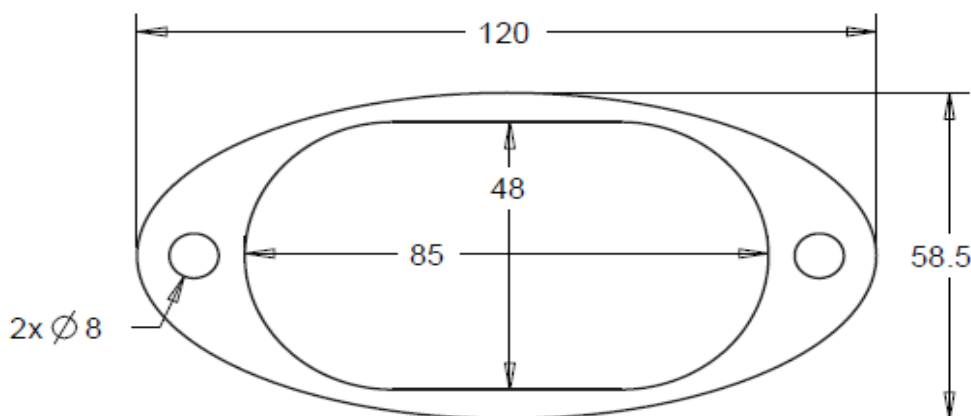
**Material Specifications**

Dimensions: 2" H x 3.375" W x 3.25" D  
Body: ABS  
Grills: ABS (black), ASA (white)  
Gasket: Open-cell Neoprene foam

**Standards and Certifications**

ABYC #A23

Mounting Pattern:



Dimensions in MM.  
Drawing not to scale.

**MARINCO**