

product specifications for:

DC connectors

Item #: 12VBR & 12VBR.OEM

Description

Receptacle, locking, 3-wire
Mates with 12VBP plug

Electrical Specifications

Universal design for 2 or 3-wire configuration
12, 24, 12/24, 24/36 or 36 volt systems

Material Specifications

Housing Material: Nylon
Contact Material: Brass
Cover: Molded flexible vinyl

Terminals

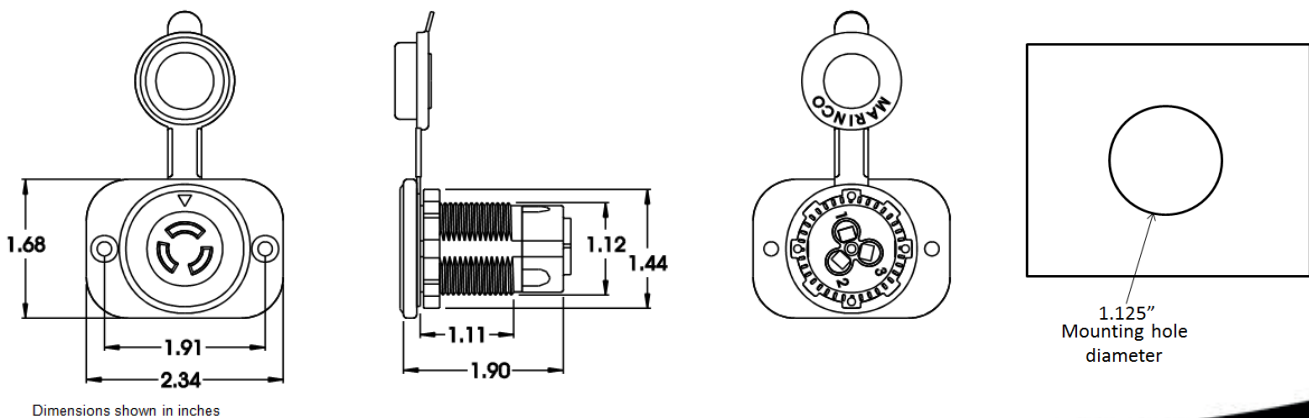
Brass, lug style, Perma-Lock™ design. Accommodates 10 and 8 AWG wire.
Optional adapter (Cat. No. 12VBRAD) available for 6 AWG wire.

Terminal Identification

Terminal openings are identified by numbers.

Mechanical Specification

Overall Design: Provided with locknut for rear mounting and mounting plate for front mounting (#8 oval head screws recommended, not provided).
Optional angle plate (Cat. No. 12BKT) for mounting beneath a surface or structure.
Mounting plate not included with 12VBR.OEM



If you're looking for quality boat electrical parts, visit our website.