



12VCOMBO
12VCOMBO-B bulk

12VDUSB
12VDUSB-B bulk

new product:

SeaLink[®] Dual USB Charger & Receptacle

Marinco introduces the Dual USB charger, and combination Dual USB with 12V Receptacle. An expansion of the durable SeaLink 12V product line, the combination Dual USB features two ports to charge cell phones, tablets and other devices powered by USB's, a blue LED to show that power is available, and a cover to prevent water and dirt from entering the ports. The Dual USB has a 12 to 24 Volt input with a 5 Volt output, a total of 2.1 amps output between the two ports. The 12V receptacle included in the combination SeaLink USB charger, is rated to 20 amps, and is compatible with 12V plugs. These products are ideal for your USB onboard charging needs and designed for longevity in the marine environment.

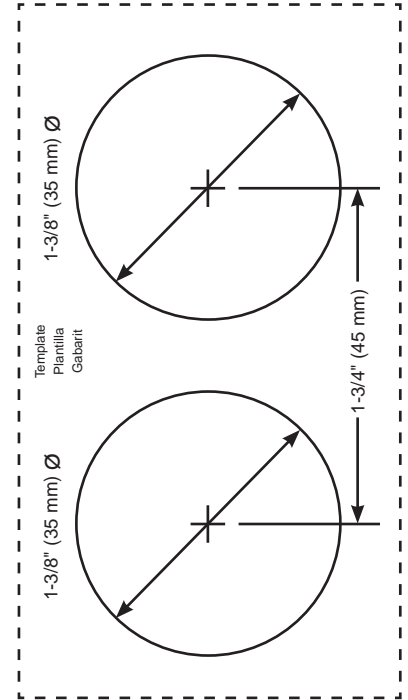
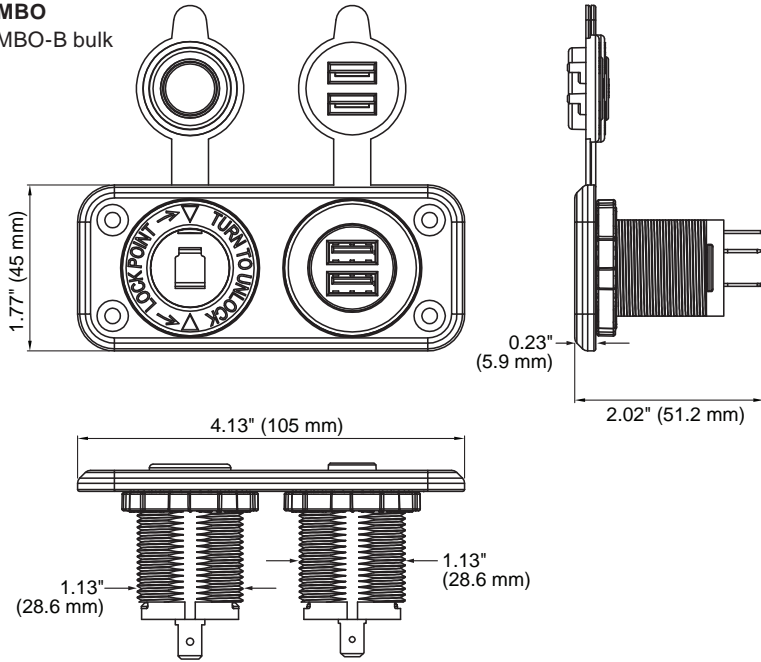
Dual USB ports with
2.1 Amps total output

Blue LED shows power
is available

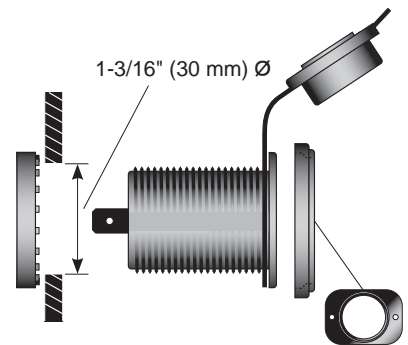
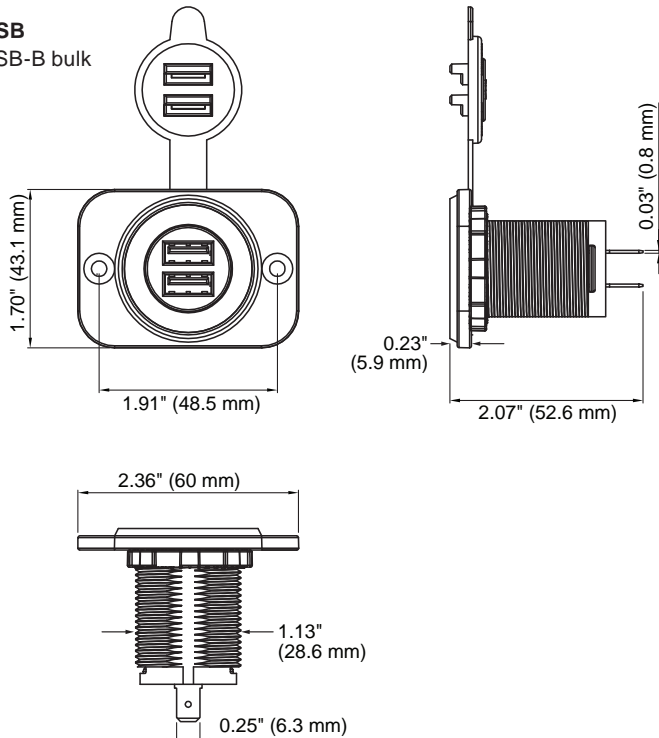
Covers prevent
dust and water
from damaging the
products

new product:
Dimensions

12VCOMBO
 12VCOMBO-B bulk



12VDUSB
 12VDUSB-B bulk





12VCOMBO retail
 12VCOMBO-B bulk, no terminals
 12VCOMBON-B bulk, no LED

12VDUSBW-B bulk

12VDUSB retail
 12VDUSB-B bulk, no terminals
 12VDUSBN-B bulk, no LED

12VCOMBOW-B bulk

new product:

SeaLink® Dual USB Charger & Receptacle

Marinco Power Products introduces the Dual USB charger, and combination Dual USB with 12V Receptacle. An expansion of the durable SeaLink 12V product line, the combination Dual USB features two ports to charge cell phones, tablets and other devices powered by USB's, a blue LED to show that power is available, and a cover to prevent water and dirt from entering the ports. The Dual USB has a 12 to 24 Volt input with a 5 Volt output, a total of 2.1 amps output between the two ports. The 12V receptacle included in the combination SeaLink USB charger, is rated to 20 amps, and is compatible with 12V plugs. A no LED version is also available and allows only 3.2 mA's compared to the 10 mA versions with the LED. These products are ideal for your USB charging needs and designed for longevity in harsh environments.

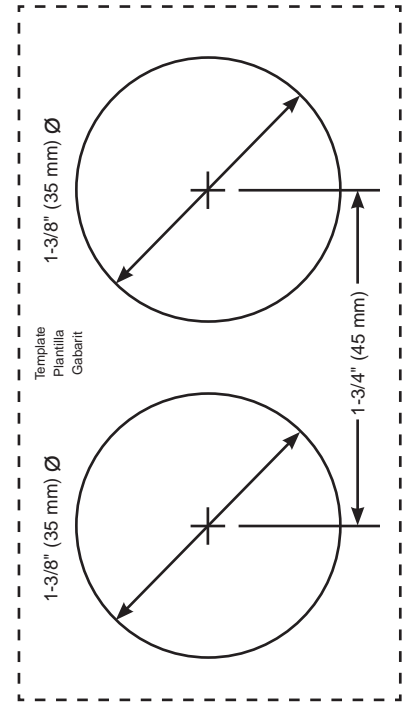
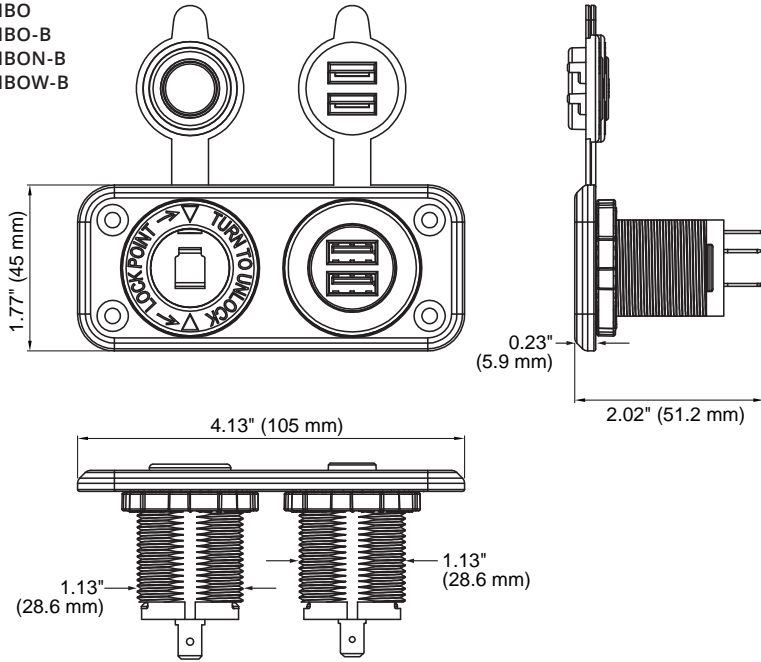
Dual USB ports with
 2.1 Amps total output

Blue LED shows power
 is available

Covers prevent
 dust and water
 from damaging the
 products

new product:
Dimensions

12VCOMBO
 12VCOMBO-B
 12VCOMBON-B
 12VCOMBOW-B



12VDUSB
 12VDUSB-B
 12VDUSBN-B
 12VDUSBW-B

