

product specifications for:

# Charger inlet

## Item #: 150BBIW

### Description

Charger inlet, straight blade, dust resistant

### Electrical Specifications

15 amperes, 125 volts, NEMA Configuration 5-15P

### Material Specifications

Housing Material: Nylon

Contact Material: Brass

Cover: Molded flexible vinyl

### Terminals

Brass, lug style, Perma-Lock™ design. Terminals visible through clear end cap.

### Terminal Identification

Terminal screws are color coded. Ground wire entrance hot stamped green and marked "GR".  
Line wire entrance hot stamped black. Accommodates upto 10 AWG wire.

### Mechanical Specification

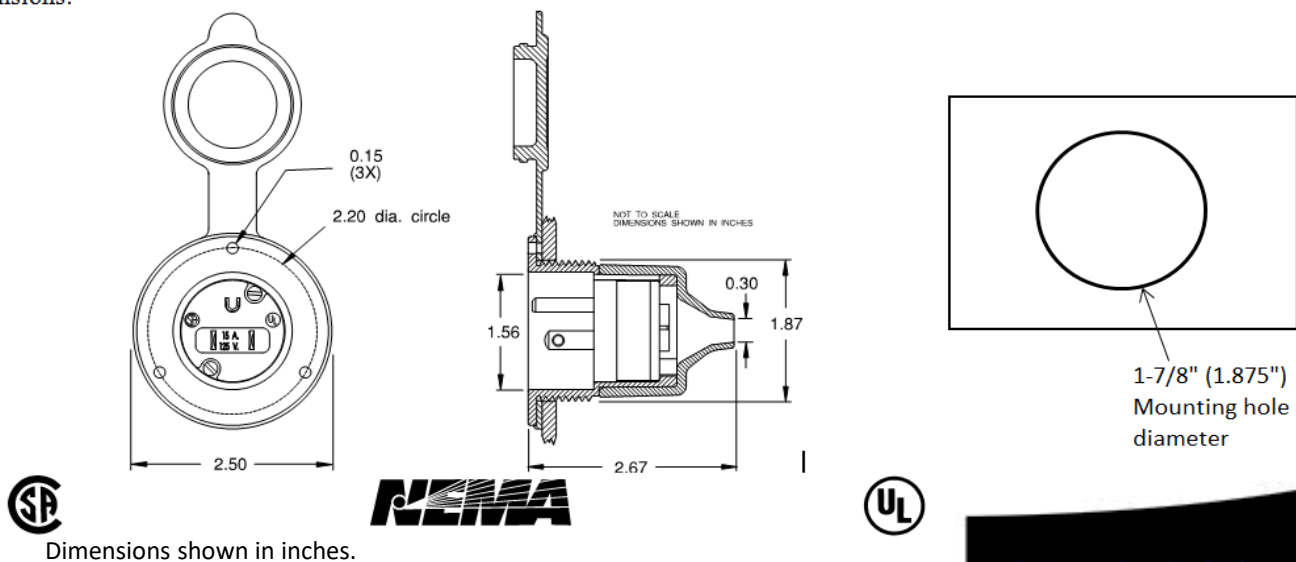
Overall Design: Either front mount by three #6 x 5/8 screws (provided) or rear mount by 1½" conduit locknut (provided).

### Listings

UL listed, File E57672

CSA certified, File 81290\_0\_000

Dimensions:



**MARINCO**