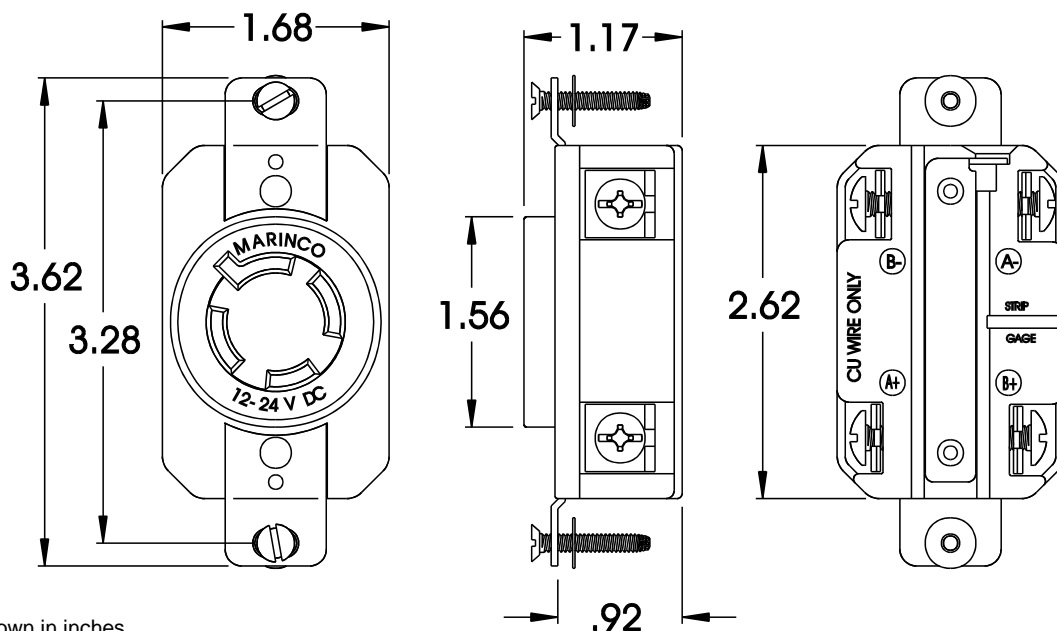


Receptacle, Locking  
12-24V dc  
4-Pole, 4-Wire

### Catalog Number: 2018BR

- Item:** Receptacle, single locking.
- Rating:** 12-24V dc.
- Materials:** All plastic parts are black, glass-filled, heat resistant nylon with a UL flammability rating of 94V-0.  
Mounting straps, rivets and grounding strip are solid brass with nickel plating  
Mounting screws are stainless steel, 6-32.
- Terminals:** Clamp-type. Clamp is nickel plated brass, and terminal screws are nickel plated brass, No. 10, slot/phillips head, removable to accommodate ring terminals.
- Contacts:** All contacts are nickel plated brass, rivetless one-piece construction, nominal 0.045" thick.
- Options:** Available with integral spring-loaded flip lid cover (2018BR-MB).
- Plugs:** Accommodates 12V plug (2018BP-12) or 24V plug (2018BP-24).
- Dimensions:**



Dimensions shown in inches