

product specifications for:

30A Inlets

Item #: 303SSEL-B

Description

Inlet, Stainless Steel

Electrical Specifications

30 amperes, 125 volts

Material Specifications

Cap & Bezel Material: 316 Stainless steel

Plug body Material: Nylon

Contact Material: Brass

Rear enclosure: Polyester with a UL flammability of 94V-0

Terminals

Brass, Clamp-type. Accommodates 10 AWG and 8 AWG wire.

Enclosure

Provided. Has integral strain relief.

Mounting screws

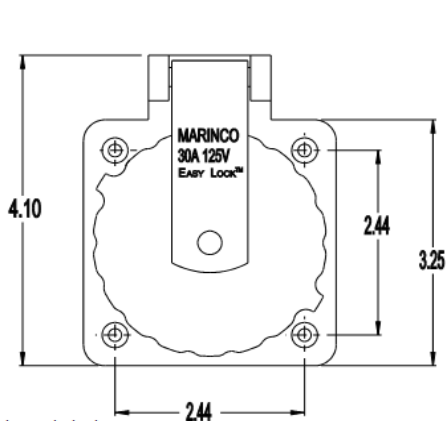
Not provided. No. 8 flat or oval head recommended

Listings

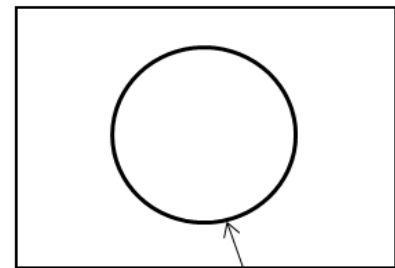
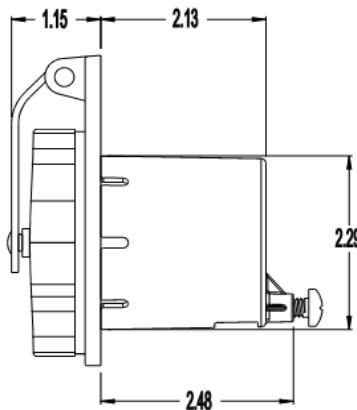
UL listed, File E57672

CSA certified, File 81290_0_000

Complies with ABYC and Coast Guard Standards



Dimensions shown in inches



2-7/8" (2.875")
Mounting hole
diameter



If you're looking for quality boat electrical parts, visit our website.