

Installing and Using the Precision Spotlight Remotes

Required for Installation:

- Two (2) No. 6 stainless steel pan head screws (*Length and type of screws to be determined by mounting surface*)
- Two (2) #16 AWG butt wire connectors

Mounting the wired and wireless bridge remote

1. The remotes are all IP54 weather resistant.
2. Please choose a mounting location based on the gasket supplied with the remote (*large hole should be towards top*).
3. Drill holes the correct size for the mounting screws. The holes through the remotes are sized for a No. 6 pan head screw. The length and thread type will need to be determined by the application. Remove and set aside the 2 screw covers.
4. Drill hole for the wiring. Note that the hole needs to be 5/8" to allow the unit to sit flat.
5. **If mounting the wireless bridge remote** it will require a 12V or 24V power source. **If mounting the hard wired bridge remote** then it does not need a local power source and instead uses the purple and yellow wires connecting from the spotlight to the remote. These two wires will supply the remote with power and control the spotlight. The terminals on the remote can handle a 16 AWG to 26 AWG wire. Maximum torque on the terminals is 2.21 in lbs (.25 nm).

6. Feed wires through drilled surface hole and gasket from below.
7. **For the wireless bridge remote** attach the power source wires to the remote (+) positive and (-) negative terminals. **For the hard wired bridge remote** attach the 2 wires from the spotlight. The yellow wire needs to connect to the (+) positive and the purple wire needs to connect to the (-) negative. Maximum torque on the terminals is 2.21 in lbs (.25 nm)
8. Place remote in desired location, align holes and tighten down.
9. Apply screw covers to remote to hide screws.

Pairing of mounted and hand held wireless remote to spotlight

1. Disconnect all power to the spotlight.
2. Apply power to wireless remote. Press and hold the power button on the wireless remote.
3. While pressing the power button connect power to the spotlight.
4. After a few seconds you will hear the relay click and the light will turn on.
5. When the light turns on the pairing is complete, release power button.

Pairing multiple spotlights with separate remotes

If multiple spotlights will be within 200' of one another and you want to control each spotlight with independent remotes, please follow the instructions listed.

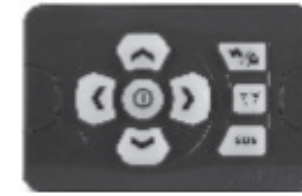
1. For 1st spotlight, follow the “Pairing of wireless bridge and hand held wireless remote to spotlight” instructions.
2. For 2nd spotlight, follow instructions above except press and hold the power button AND the UP button while inserting the battery in an SPLR-1 remote or connecting power to an SPLR-2 remote.
3. For 3rd spotlight, follow instructions above except press and hold the power button AND the RIGHT button while inserting the battery in an SPLR-1 remote or connecting power to an SPLR-2 remote.
4. For 4th spotlight, follow instructions above except press and hold the power button AND the DOWN button while inserting the battery in an SPLR-1 remote or connecting power to an SPLR-2 remote.
5. For 5th spotlight, follow instructions above except press and hold the power button AND the LEFT button while inserting the battery in an SPLR-1 remote or connecting power to an SPLR-2 remote.

Programming the remote when mounting the spotlight up side down

NOTE: This procedure reverses the directional buttons on the remote.

1. Pairing of the remote described above must be completed first.
2. Disconnect all power to the spotlight.
3. Hold down the tilt UP and DOWN buttons on the remote.
4. While pressing the 2 buttons apply power to the spotlight and continue to hold down the buttons for a few seconds until the spotlight tilts up or down.
5. The spotlight is now configured for inverted mode. Release buttons.
6. To return the spotlight to the standard configuration repeat steps above.

 **WARNING BEFORE OPERATION REMOVE BLUE FILM FROM LENS**



Remote Specifications

	Included * Wireless Bridge Remote (SPLR-2)	(Optional) † Hand Held Bridge Remote (SPLR-1)	(Optional) ▲ Wired Bridge Remote (SPLR-3)
Power	12 or 24 Volt (hard wired to power)	CR2450 button cell battery	12 or 24 Volt (hard wired to spotlight)
Current draw (idle / in use)	negligible	negligible	negligible
Wireless range	200 ft (65m)	200 ft (65m)	—
Estimated battery life	—	> 40 hours (continuous use)	—
Dimensions	3.5"W x 2.25"H x .75"D 88mm x 57mm x 19mm	2.0"W x 3.78"H x 1"D 51mm x 96mm x 25mm	3.5"W x 2.25"H x .75"D 88mm x 57mm x 19mm
Weight	2.12 oz. (60g)	2.82 oz. (80g)	2.12 oz. (60g)
Housing material	UV resistant PC/ASA	UV resistant PC/ASA	UV resistant PC/ASA
Button material	Silicone (glow in the dark)	Silicone (glow in the dark)	Silicone (glow in the dark)
Wire	16AWG	—	24AWG
Operating temp range	5°F to 113°F (-15°C to 45°C)	5°F to 113°F (-15°C to 45°C)	5°F to 113°F (-15°C to 45°C)
IP Rating	IP54	IP56	IP54

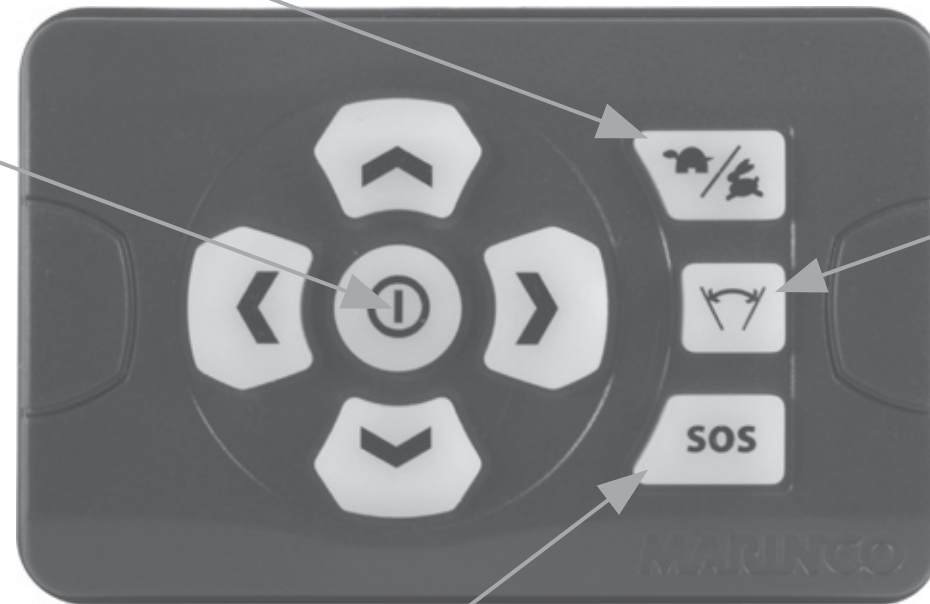
* There is no wiring required from the spotlight to the bridge remote. The spotlight and the bridge remote must be wired locally to power.

† The hand held bridge remote includes a wrist lanyard and a surface mount cradle.

▲ The wired bridge remote requires hard wiring of 2 leads from the spotlight to the bridge.

Speed Control—Pressing this button will allow you to change speed of the light, SOS, and Sweep Angle function.

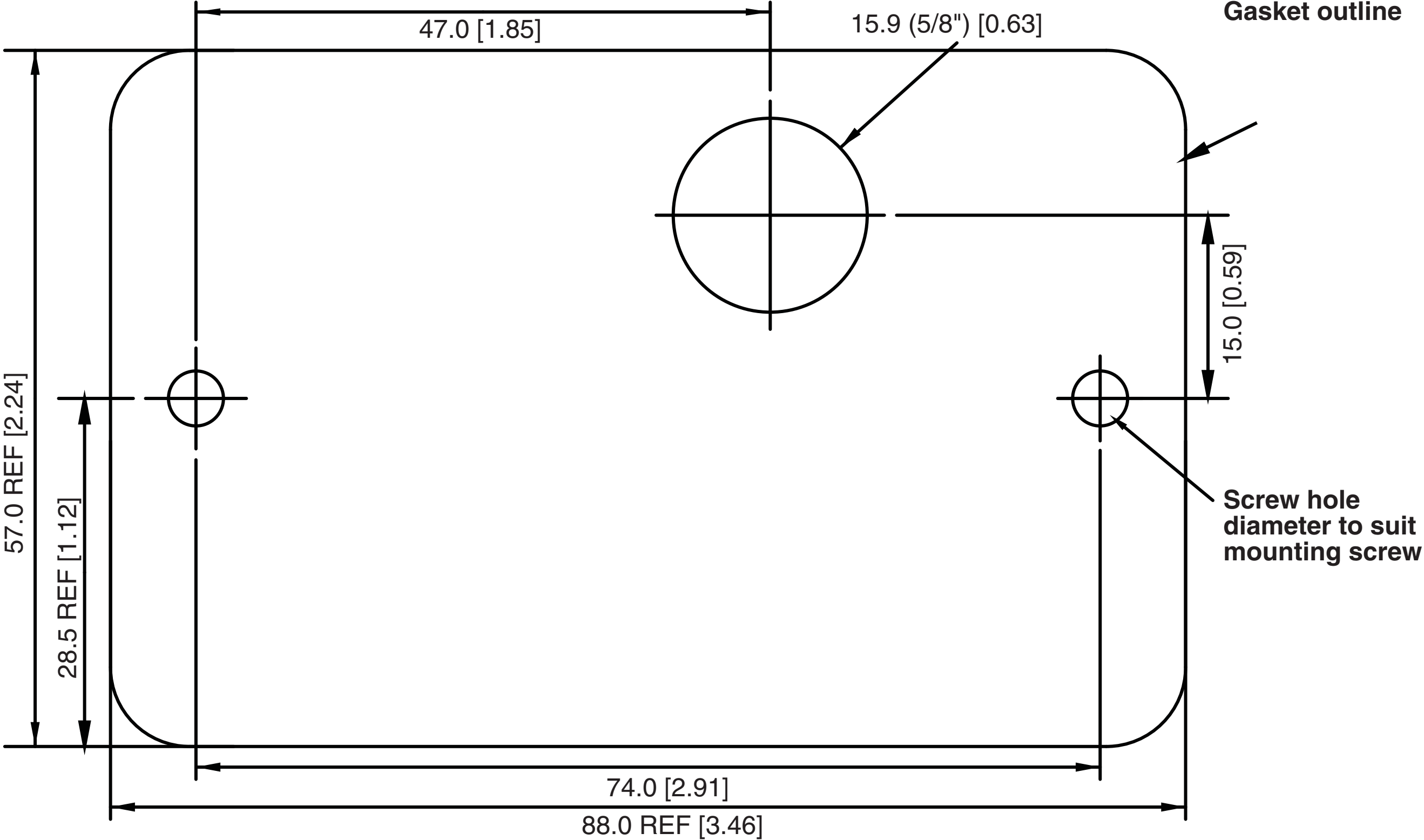
Power on/off



Auto Sweep—When this button is pressed the light will begin to sweep left and right at 90° for slow speed and 70° for high speed. Press the button again or a directional button to stop the sweep.

SOS— (. . . — — — . . .)
Pressing this button the light will begin to signal the Morse code distress signal. Press again to turn off.

Mounting Template



When it comes to quality marine lighting, Marinco is the brand you can depend on.