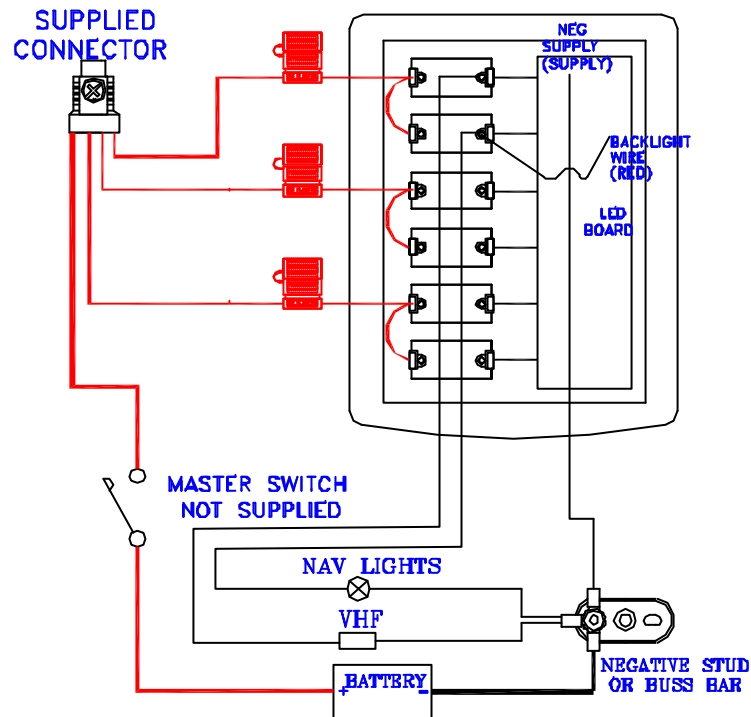
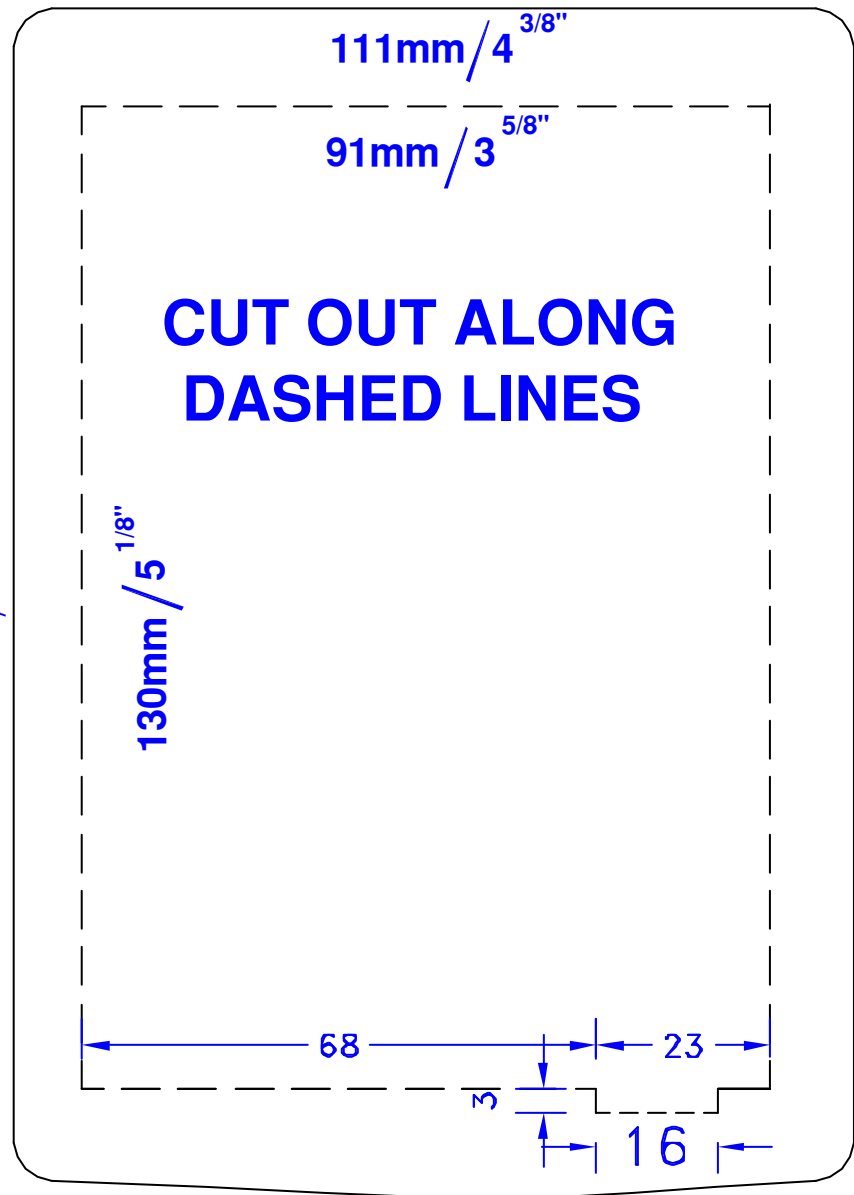


1. Cut hole as per template. use 4 screws supplied to retain panel.
    - \* CSK Screws in two left hand holes.
    - \* Pan head screws in two right hand holes. (Fit supplied grommets into screw holes to hide screw heads.)
  2. Connect the positive from battery master switch, along with fuse holder feeds into supplied connector, tighten with screwdriver.
  3. Connect Negative from battery to negative stud (supplied) or buss bar (not supplied). connect neg from panel to neg stud.
  4. Connect positive from appliance to switched side of switch (same side as led's).
  5. Connect backlight wire to any switch (Navigation light switch recommended) make sure to connect the wire to the LED wire side of the switch.
  6. Fit negative from appliance to negative stud.
  7. The fuse holders are supplied with 15A blade type fuses.
  8. To replace blown fuses , flip back cover of fuse holder as per drawing\*, pull out old fuse.
  9. Push in new fuse and close cover.
- (NOTE MAXIMUM FUSE RATING 20A)



\* REPLACING FUSE



DATE	REV.	DATE	DESCRIPTION	DRAWN	APPRVD	TITLE
18/12/03						
DRAWN	S	PLAYER				
DWG No.	CSP6F-BEP					
A	B	C	D	E	F	

INST-CSP6F-BEP

BEP MARINE LTD.

