

product specifications for:

# Day/Night Solar Vent

**Item #:** N20804W (White)  
N20804S (Stainless)

**Description**

4" Day/Night Solar Vent

**Battery Specifications**

Capacity: 2500mAh  
Voltage: 4.8V

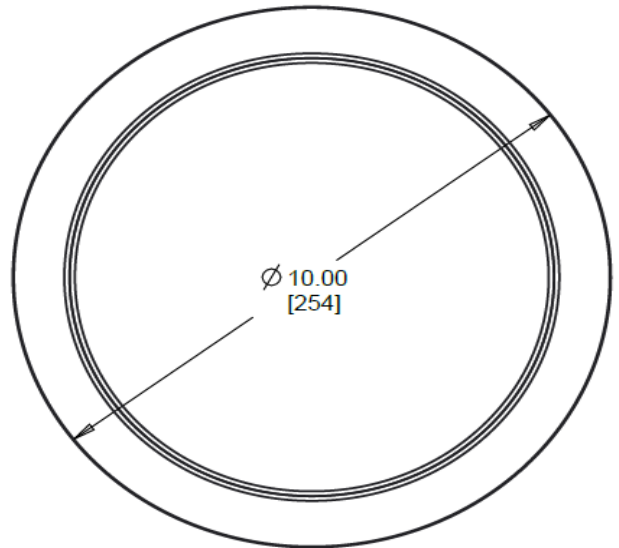
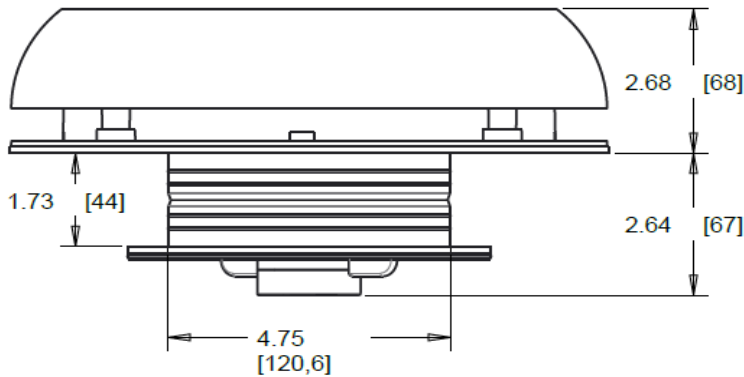
**Material Specifications**

Body: ABS  
Gasket(s): Neoprene  
Gasket Thickness: 1/8" (3mm)  
Exterior: Stainless Steel (N20804S only)

**Performance**

Airflow 1000 ft<sup>3</sup> / 28 m<sup>3</sup> per hour

**Standards and Certifications**



Dimensions: inches [mm]  
Drawing not to scale.

