

product specifications for:

Straight Adapters

Item #: S15-504

Description

Straight Adapter 15A 125V Male Straight Blade to 50A 125/250V Female Locking with LED Power Indicator

Electrical Specifications

Max. Amperage: 15A
Max. Voltage: 125V

Material Specifications

Shell: Nylon
Contacts: Nickel-Plated Brass
Terminals: Nickel-Plated Brass
Terminal Screws: Nickel-Plated Brass
Plug Bodies: Nylon
Assembly Screws: Stainless Steel
Max. Temperature: 125°C

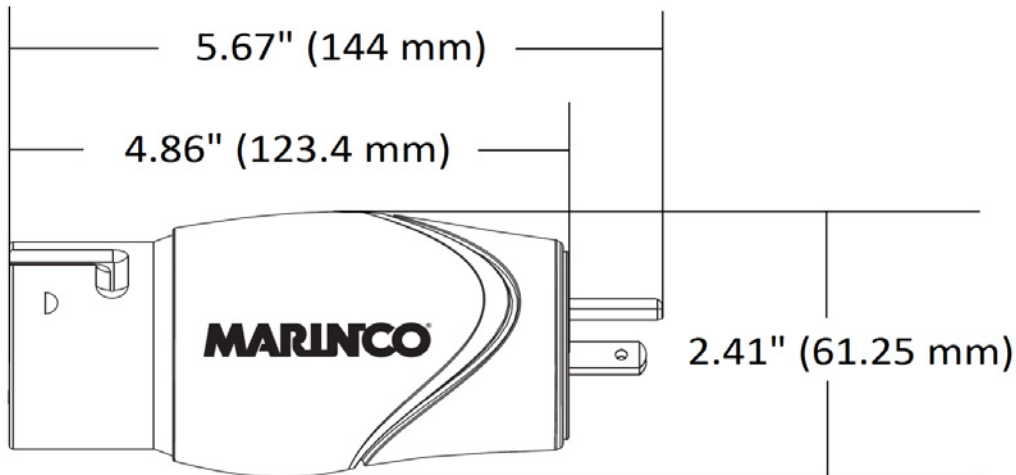
Mechanical Specification

Connection Type(s): NEMA 5-15P Straight Blade
NEMA SS2-50R Twist-Lock

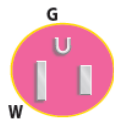


Standards and Certifications

CSA Listed: File 081290_0_000



50A 125/250V
Locking w/
Sealing
Collar System



15A 125V
Straight Blade
w/ Locking Screw

