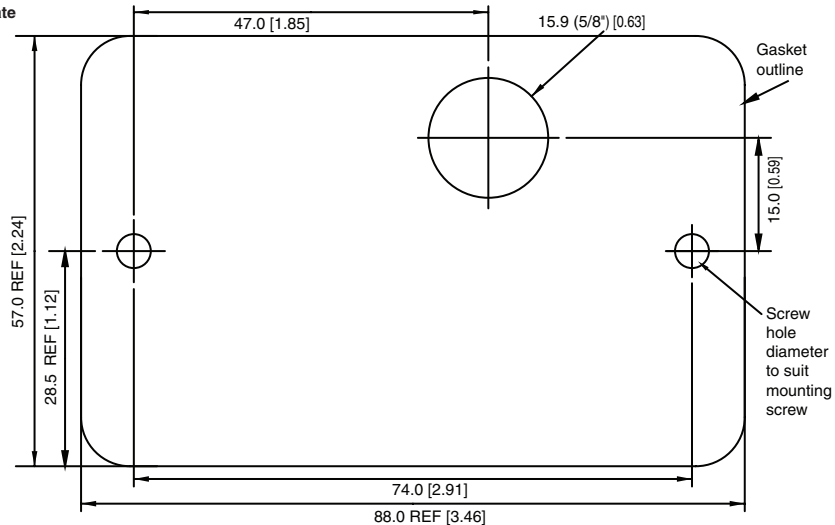


Mounting Template



MARINCO®

Instructions

Installing and Using the Precision Spotlight Remotes

Required for Installation:

- Two (2) No. 6 stainless steel pan head screws
(Length and type of screws to be determined by mounting surface)
- Two (2) #16 AWG butt wire connectors

Mounting the wired and wireless bridge remote

1. The remotes are all IP54 weather resistant.
2. Please choose a mounting location based on the gasket supplied with the remote
(large hole should be towards top)
3. Drill holes the correct size for the mounting screws. The holes through the remotes are sized for a No. 6 pan head screw. The length and thread type will need to be determined by the application. Set aside the 2 screw covers.
4. Drill hole for the wiring. Note that the hole needs to be 5/8" to allow the unit to sit flat.
5. If mounting the wireless bridge remote it will require a 12 V or 24 V power source.

If mounting the hard wired bridge remote then it does not need a local power source and instead uses the 2 wires connecting from the spotlight to the remote. These two wires will supply the remote with power and control the spotlight. The terminals on the remote can handle a 16 awg to 26 awg wire. Maximum torque on the terminals is 2.21in lbs (.25 nm)

6. Feed wires through drilled surface hole and gasket from below
7. For the wireless bridge remote attach the power source wires to the remote (+) positive and (-) negative terminals.

For the hard wired bridge remote attach the 2 wires from the spotlight. The yellow wire needs to connect to the (+) positive and the purple wire needs to connect to the (-) negative. Maximum Torque on the terminals is 2.21in lbs(.25 nm)

- Place remote in location align holes and tighten down.
- Apply screw caps to remote to hide screws.

PAIRING OF MOUNTED AND HAND HELD WIRELESS REMOTE TO SPOTLIGHT

- Turn off all power to the spotlight.
- Apply power to mounted remote. Press and hold the power button on the wireless mounted remote.
- While pressing the power button apply power to the spotlight.
- After a few seconds you will hear the relay click and the light will turn on.
- When the light turns on the pairing is complete, release power button.

PROGRAMMING THE REMOTE WHEN MOUNTING THE SPOTLIGHT UP-SIDE-DOWN

NOTE: This procedure reverses the directional buttons on the remote.

- Pairing of the remote described above must be completed first.
- Remove all power to the spotlight.
- Hold down the tilt UP and DOWN buttons on the remote.
- While pressing the 2 buttons apply power to the spotlight and continue to hold down the buttons for 3 seconds until the spotlight tilts up or down.
- The spotlight is now configured for inverted mode. Release buttons.
- To return the spotlight to the standard configuration repeat steps above.



- Speed Control** - Pressing this button will allow you to change speed of the light, SOS, and Sweep Angle function
- Auto Sweep** - When this button is pressed the light will begin to sweep left and right at 90° for slow speed and 70° for high speed. Press the button again or a directional button to stop the sweep
- SOS** - (· · · — — — · · ·) Pressing this button the light will begin to signal the Morse code distress signal. Press again to turn off
- Power on/off**

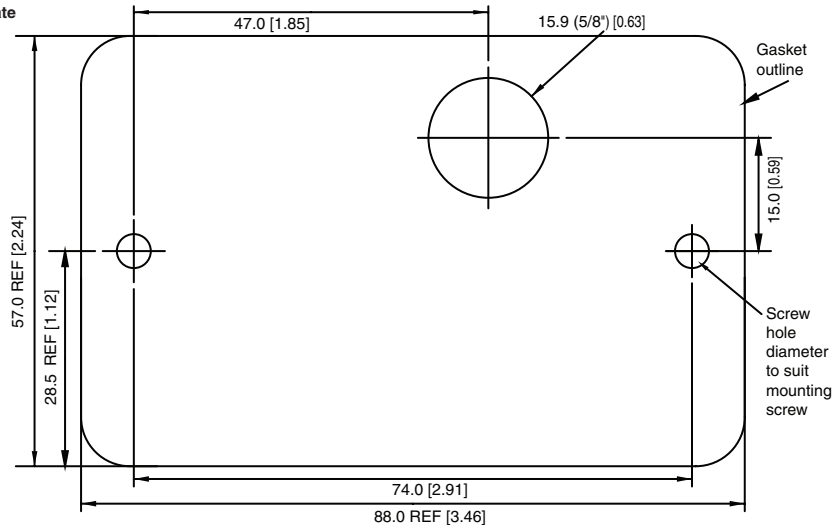


Remote Specifications

	Included * Wireless Bridge Remote (SPLR-2)	(Optional) † Hand Held Bridge Remote (SPLR-1)	(Optional) ▲ Wired Bridge Remote (SPLR-3)
Power	12 or 24 Volt (hard wired to power)	CR2450 button cell battery	12 or 24 Volt (hard wired to spotlight)
Current draw (idle / in use)	negligible	negligible	negligible
Wireless range	200 ft (65m)	200 ft (65m)	—
Estimated battery life	—	> 40 hours (continuous use)	—
Dimensions	3.5"W x 2.25"H x .75"D 88mm x 57mm x 19mm	2.0"W x 3.78"H x 1"D 51mm x 96mm x 25mm	3.5"W x 2.25"H x .75"D 88mm x 57mm x 19mm
Weight	2.12 oz. (60g)	2.82 oz. (80g)	2.12 oz. (60g)
Housing material	UV resistant PC/ASA	UV resistant PC/ASA	UV resistant PC/ASA
Button material	Silicone (glow in the dark)	Silicone (glow in the dark)	Silicone (glow in the dark)
Wire	16AWG	—	24AWG
Operating temp range	5°F to 113°F (-15°C to 45°C)	5°F to 113°F (-15°C to 45°C)	5°F to 113°F (-15°C to 45°C)
IP Rating	IP54	IP56	IP54

- * There is no wiring required from the spotlight to the bridge remote. The spotlight and the bridge remote must be wired locally to power.
- † The hand held bridge remote includes a wrist lanyard and a surface mount cradle.
- ▲ The wired bridge remote requires hard wiring of 2 leads from the spotlight to the bridge.

Mounting Template



MARINCO®

Instructions

Installing and Using the Precision Spotlight Remotes

Required for Installation:

- Two (2) No. 6 stainless steel pan head screws
(Length and type of screws to be determined by mounting surface)
- Two (2) #16 AWG butt wire connectors

Mounting the wired and wireless bridge remote

1. The remotes are all IP54 weather resistant.
2. Please choose a mounting location based on the gasket supplied with the remote
(large hole should be towards top)
3. Drill holes the correct size for the mounting screws. The holes through the remotes are sized for a No. 6 pan head screw. The length and thread type will need to be determined by the application. Set aside the 2 screw covers.
4. Drill hole for the wiring. Note that the hole needs to be 5/8" to allow the unit to sit flat.
5. If mounting the wireless bridge remote it will require a 12 V or 24 V power source.

If mounting the hard wired bridge remote then it does not need a local power source and instead uses the 2 wires connecting from the spotlight to the remote. These two wires will supply the remote with power and control the spotlight. The terminals on the remote can handle a 16 awg to 26 awg wire. Maximum torque on the terminals is 2.21in lbs (.25 nm)

6. Feed wires through drilled surface hole and gasket from below
7. For the wireless bridge remote attach the power source wires to the remote (+) positive and (-) negative terminals.

For the hard wired bridge remote attach the 2 wires from the spotlight. The yellow wire needs to connect to the (+) positive and the purple wire needs to connect to the (-) negative. Maximum Torque on the terminals is 2.21in lbs(.25 nm)

- Place remote in location align holes and tighten down.
- Apply screw caps to remote to hide screws.

PAIRING OF MOUNTED AND HAND HELD WIRELESS REMOTE TO SPOTLIGHT

- Turn off all power to the spotlight.
- Apply power to mounted remote. Press and hold the power button on the wireless mounted remote.
- While pressing the power button apply power to the spotlight.
- After a few seconds you will hear the relay click and the light will turn on.
- When the light turns on the pairing is complete, release power button.

PROGRAMMING THE REMOTE WHEN MOUNTING THE SPOTLIGHT UP-SIDE-DOWN

NOTE: This procedure reverses the directional buttons on the remote.

- Pairing of the remote described above must be completed first.
- Remove all power to the spotlight.
- Hold down the tilt UP and DOWN buttons on the remote.
- While pressing the 2 buttons apply power to the spotlight and continue to hold down the buttons for 3 seconds until the spotlight tilts up or down.
- The spotlight is now configured for inverted mode. Release buttons.
- To return the spotlight to the standard configuration repeat steps above.



- Speed Control** - Pressing this button will allow you to change speed of the light, SOS, and Sweep Angle function
- Auto Sweep** - When this button is pressed the light will begin to sweep left and right at 90° for slow speed and 70° for high speed. Press the button again or a directional button to stop the sweep
- SOS** - (· · · — — — · · ·) Pressing this button the light will begin to signal the Morse code distress signal. Press again to turn off
- Power on/off**



Remote Specifications

	Included * Wireless Bridge Remote (SPLR-2)	(Optional) † Hand Held Bridge Remote (SPLR-1)	(Optional) ▲ Wired Bridge Remote (SPLR-3)
Power	12 or 24 Volt (hard wired to power)	CR2450 button cell battery	12 or 24 Volt (hard wired to spotlight)
Current draw (idle / in use)	negligible	negligible	negligible
Wireless range	200 ft (65m)	200 ft (65m)	—
Estimated battery life	—	> 40 hours (continuous use)	—
Dimensions	3.5"W x 2.25"H x .75"D 88mm x 57mm x 19mm	2.0"W x 3.78"H x 1"D 51mm x 96mm x 25mm	3.5"W x 2.25"H x .75"D 88mm x 57mm x 19mm
Weight	2.12 oz. (60g)	2.82 oz. (80g)	2.12 oz. (60g)
Housing material	UV resistant PC/ASA	UV resistant PC/ASA	UV resistant PC/ASA
Button material	Silicone (glow in the dark)	Silicone (glow in the dark)	Silicone (glow in the dark)
Wire	16AWG	—	24AWG
Operating temp range	5°F to 113°F (-15°C to 45°C)	5°F to 113°F (-15°C to 45°C)	5°F to 113°F (-15°C to 45°C)
IP Rating	IP54	IP56	IP54

- * There is no wiring required from the spotlight to the bridge remote. The spotlight and the bridge remote must be wired locally to power.
- † The hand held bridge remote includes a wrist lanyard and a surface mount cradle.
- ▲ The wired bridge remote requires hard wiring of 2 leads from the spotlight to the bridge.



SPL-12W



SPL-12B



SPL-12C

new product:

Precision Wireless Controlled Spotlight

Marinco's innovative, new Precision Wireless Controlled Light addresses the most common issues found in marine-grade spotlights. In doing so it has become the most versatile, durable, consistent and easy-to-use spotlight on the market. Its unique, totally enclosed housing design protects all critical components from moisture, salt, shock and vibration for long-lasting operation. Whether mounted upright or suspended upside down, you get 370° sweep rotation and 120° tilt (75° up, 45° down) in a durable IP56 weatherproof housing. Inside, a brilliant 100 Watt H3 Halogen lamp with an optimized parabolic reflector pierces the ultra clear lens to provide a consistent light pattern.

Bright 100 Watt halogen bulb

Uniform 132 sq. ft coverage with 370° rotation and 120° tilt

Durable, weatherproof housing

Universal 12V or 24V operation

Wireless control



new product:

Precision Wireless Controlled Spotlight

Specifications

Bulb:	100 Watt, H3 Halogen
Power (Input voltage):	12V or 24V
Current draw (idle/in use):	0.03 amps / 7.0 amps
Peak Beam Intensity:	210,000 Cp
Peak Beam Distance:	917 ft (280 m)
Lux @ 66' (25 m):	525 Lux
Coverage at 66' (25 m):	132 sq ft (12 sq m)
Rotation:	370° (built in limit stops)
Tilt:	120° Tilt (75° up & 45° down)
Wireless range:	200 ft (65 m)
Dimensions:	7.5"W x 7.5"H x 9.25"D (19cm x 19cm x 23.5cm)
Weight:	3.30 lbs (1.5 kg)
Housing material:	UV resistant PC/ASA
Lens material:	UV resistant Lexan®
Operating temp range:	5°F–113°F (-15°C–45°C)
IP Rating:	IP56

3 YEAR WARRANTY

Description	Color	Item #	OEM #
12/24 Volt, 100 Watt	white	SPL-12W	—
12/24 Volt, 100 Watt	black	SPL-12B	—
12/24 Volt, 100 Watt	chrome	SPL-12C	—
12 Volt, 100 Watt	white	—	SPL-12W.OEM
12 Volt, 100 Watt	black	—	SPL-12B.OEM
12 Volt, 100 Watt	chrome	—	SPL-12C.OEM
24 Volt, 100 Watt	white	—	SPL-24W.OEM
24 Volt, 100 Watt	black	—	SPL-24B.OEM
24 Volt, 100 Watt	chrome	—	SPL-24C.OEM

Replacement Bulbs

Description	Item #
12 Volt, H3 Halogen	202319
24 Volt, H3 Halogen	202320



Remote Options



SPLR-2

Included



SPLR-1

(optional)



SPLR-3

(optional)

Remote Specifications	SPLR-2	SPLR-1	SPLR-3
Remote Specifications	Wireless Bridge Remote	Hand Held Bridge Remote	Wired Bridge Remote
Power	12 or 24 volt (hard wired)	CR2540 button cell battery	12 or 24 volt (hard wired)
Current draw (idle / in use)	negligible	negligible	negligible
Wireless range	200 ft (65m)	200 ft (65m)	—
Estimated battery life	—	> 40 hours (continuous use)	—
Dimensions	3.5"Wx2.25"Hx.75"D 88x57x19 mm	2.0"Wx3.78"Hx1"D 51x96x25 mm	3.5"Wx2.25"Hx.75"D 88x57x19 mm
Weight	2.12 oz (60g)	2.82 oz (80g)	2.12 oz (60g)
Housing material	UV resistant PC/ASA	UV resistant PC/ASA	UV resistant PC/ASA
Button material	Silicone (glow in the dark)	Silicone (glow in the dark)	Silicone (glow in the dark)
Operating temp range	5°F–113°F (-15°C–45°C)	5°F–113°F (-15°C–45°C)	5°F–113°F (-15°C–45°C)
IP Rating	IP54	IP56	IP54



Learn more about marine flood and spot lights we have.

MARINCO®