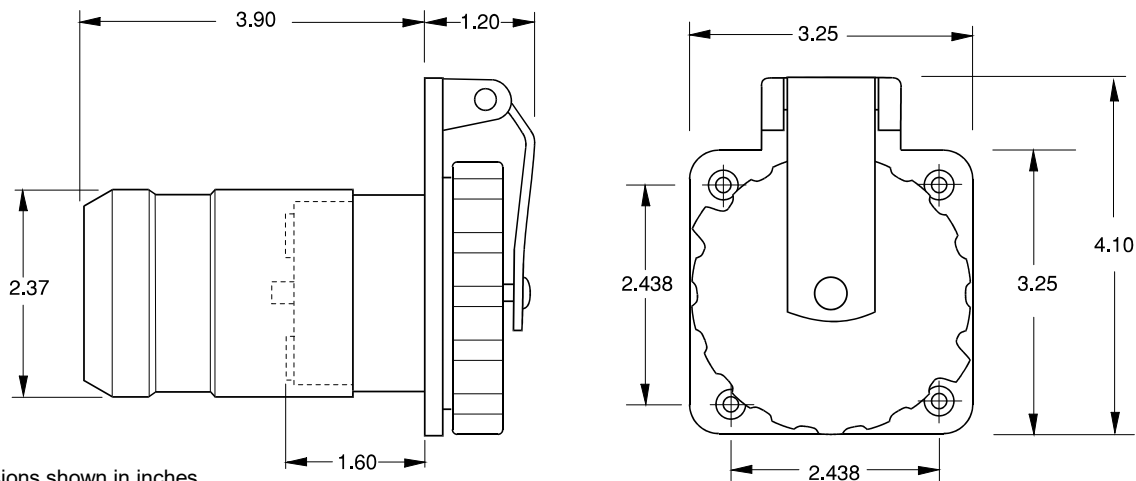


Inlet, 50A Locking
Stainless Steel

Catalog Numbers: 6371EL, 6371EL-B, 6373EL, 6373EL-B

- Item:** Stainless steel inlet
- Rating:** 50 amperes, 125 volts or 125/250 volts
- Materials:** Cap & Bezel are 316 stainless steel.
Plug body is nylon with CTI greater than 600 volts.
Contact blades and terminal parts are nickel plated brass.
Rear enclosure is glass-filled polyester with UL flammability rating of 94V-0.
- Terminals:** Perma-Lock™ self-locking collar-type terminals. Accepts up to 6 AWG wire.
- Enclosure:** Provided on units with “-B”.
- Mounting Gasket:** Solid Neoprene.
- Mounting Screws:** Not provided. No. 8 flat or oval head recommended.
- Cap Closure:** Cap holds open for easy insertion of shore power cable. Soft Touch design provides for closing with slight pressure. Cap is provided with Easy Lock™ bayonet style locking system. This provides weather seal when used with cords having threaded, or Easy Lock™, sealing rings.
- Listings:** UL Marine listed, File E57672
CSA certified, File LR81290
Complies with ABYC and U.S. Coast Guard Standards.

Dimensions:



Dimensions shown in inches