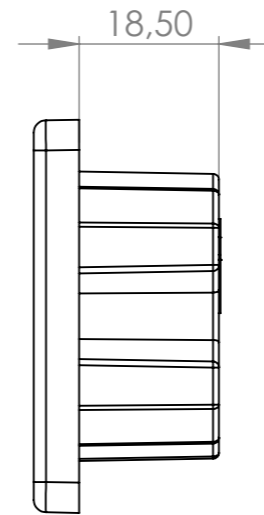
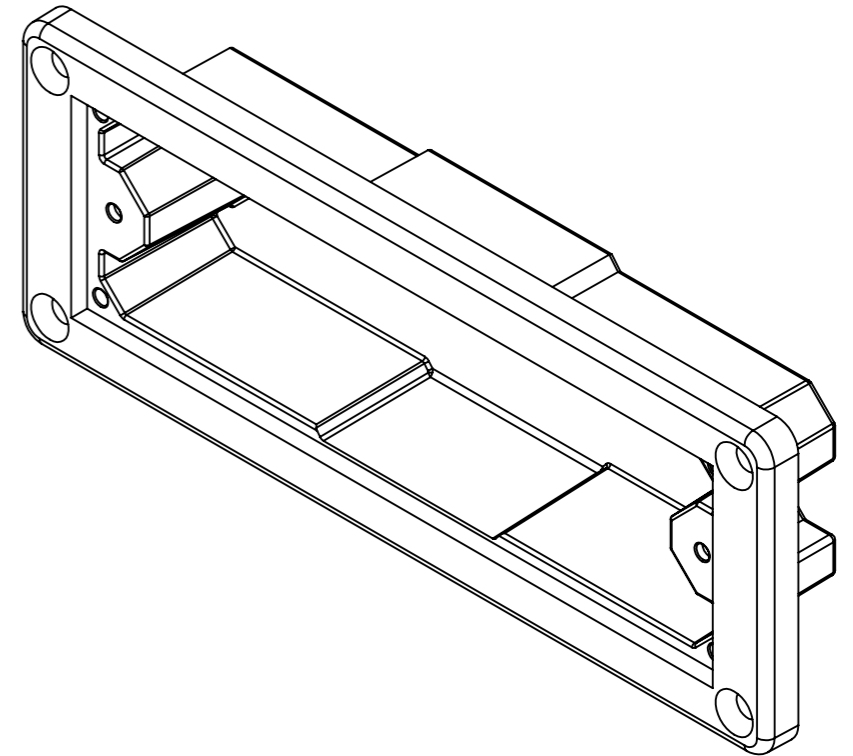



REVISIONS				
ZONE	REV.	DESCRIPTION	DATE	APPROVED



Unless otherwise specified. Dimensions are in mm Tolerances: - Linear: $\pm 0.2\text{mm}$ - Angular: $\pm 0.5^\circ$		Finish:	Debur and break sharp edges.	Status:	Revision 1
<i>DO NOT SCALE DRAWING</i>				Title Panel cover Small	
Drawn	Name H. F. Dekker	Signature	Date 20090513	Dwg. nr.:	M1307-1
Chk'd				Delta Part No.:	
Appr'd				Project:	
Mfg					
Q.A					
			Material:	SCALE: 1:1	
			Weight: 23.90	SHEET 1 OF 1	