



MANUAL

# MasterView Read Out

Charger Remote Panel for the MasterBus network



# 1 GENERAL INFORMATION

## 1.1 Use of this manual

This manual serves as a guideline for the safe and effective operation of the MasterView Read Out .

Keep this manual at a secure place!

## 1.2 Guarantee specifications

Mastervolt guarantees that this product was built according to the legally applicable standards and stipulations. If you fail to act in accordance with the regulations, instructions and stipulations in this user’s manual, damage can occur and/or the product will not fulfil the specifications. This may mean that the guarantee will become null and void.

**IMPORTANT:** Additional warranty agreements, like “Mastervolt system warranty” may contain restrictions which forbid resetting of historical data. The standard guarantee period is two years after date of purchase.

## 1.3 Liability

Mastervolt does not accept liability for:

- consequential damage due to use of the MasterView Read Out;
- possible errors in the manuals and the results thereof;
- use that is inconsistent with the purpose of the product.



**CAUTION!**  
Never remove the identification label.

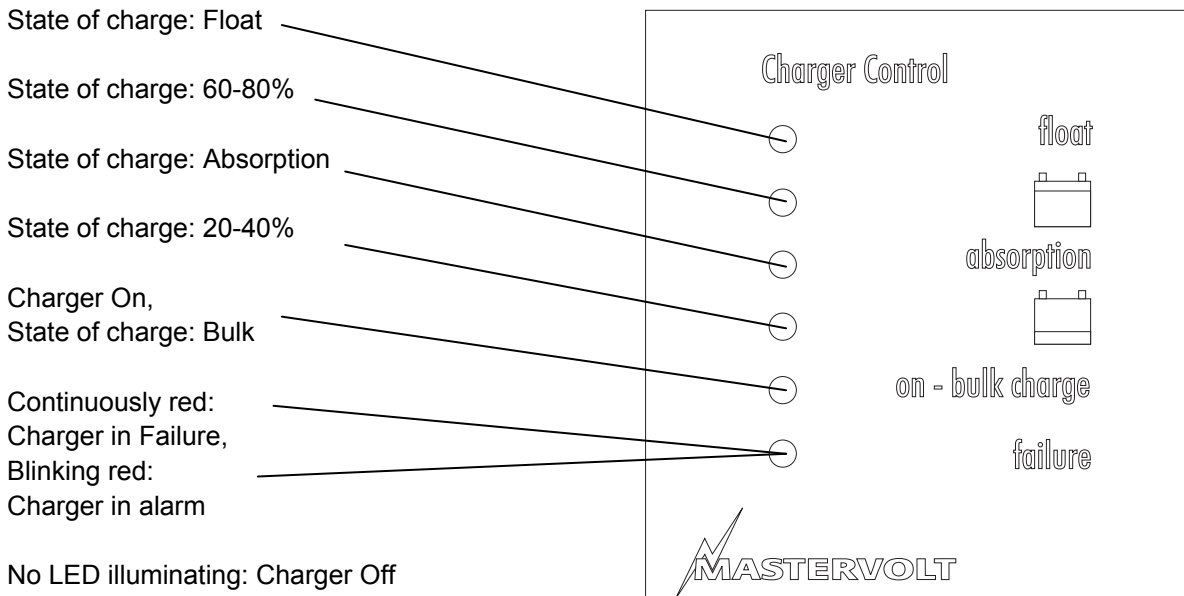
# 2 OPERATION

The MasterView Read Out operation is entirely MasterBus based. The table below shows the Read Out MasterBus functions, accessible via the free downloadable MasterAdjust software.

Monitoring	Description	Factory settings	Range
Charger State	Charger state can be On, Off or alarm. On: on-bulk charge LED illuminating, Alarm: red failure LED illuminating.	Off	On/ Off/ Alarm*
<b>Configuration</b>			
Mode	Mode Dotted means the led at the actual level illuminates, Bar means the LEDs from the bottom up to the actual level illuminate.	Dotted	Bar/ Dotted
Language	Set the Read Out menu language.	English	See specifications
Device name	Any name you wish with 12 characters max	Read out 6	12 characters max
Set up	The way to configure the charger for use with the read out. Choose “manual” for custom programming.	Automatic	Automatic, Manual

\* When the charger is in alarm, it sends out a signal to the read out.

## 4 DISPLAY FUNCTIONS



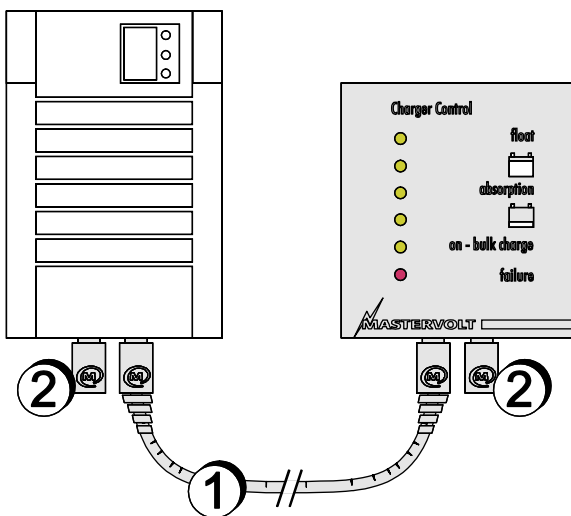
## 5 INSTALLATION


What you need:

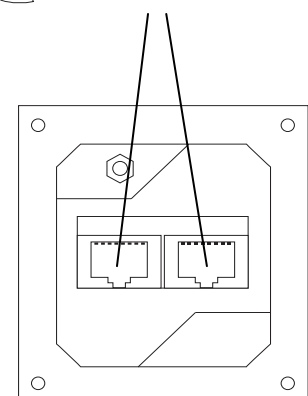
- MasterView Read Out
- MasterBus Terminator
- ChargeMaster with MasterBus connections (not included)
- MasterBus connection cable (not included)

Installation:

- Step 1. Disconnect the charger AC,
  - Step 2. Connect the Read Out panel to the ChargeMaster, using (1) a MasterBus cable and (2) two MasterBus Terminators,
  - Step 3. Reconnect the charger AC.
- The charger will recognize the read out and be configured automatically to use this panel (Set up *automatic*, see chapter 2).



 MasterBus connectors



MasterBus connections of the MasterView Read Out , front and back side

## 6 SPECIFICATIONS

Model:	MasterView Read Out (OEM)
Article number:	77010050 (OEM: 77010030)
Delivery also includes:	MasterBus Terminator, English user's manual (other languages: see front page)
Function of instrument:	Charger Remote Panel for the MasterBus network
Compatible with:	ChargeMaster 12/70-3, 12/100-3, 24/40-3, 24/60-3, 24/80-3 & 24/100-3
Languages available:	English, Nederlands, Deutsch, Français, Castellano, Italiano, Norsk, Svenska, Suomi, Dansk
Power consumption:	144 mW
MasterBus Powering:	No
MasterVision mounting:	Yes (not the OEM device)
Protection degree:	IP 21
Dimensions:	See drawing below
Weight	Approx. 70 gr [0.15 lb]

