

Specifications

Model:	SmartRemote
Product code retail:	77010600
Product code OEM:	77010500
Dimensions:	72x72x30 mm/2.8x2.8x1.2"
Screen:	320x240 pixels, 16 bits color, 2.8"
Weight:	75 g / 0.2 lb
Operating temperature:	-20 to 55°C/-4 to 131°F
Relative humidity:	max. 95% non-condensing
Storage temperature:	-30 to 70°C/-22 to 158°F
Power supply:	bus powered, 11-14V *
Power consumption:	<180mW (idle mode)
Protection degree:	IP20
Approvals:	CE
Interfaces:	MasterBus, CZone (upcoming)

* The paired device must have MasterBus powering set to on.

Meaning of the icons

	Device state (inverting/charging/standby)
	Battery voltage or charging current
	Output power (AC OUT)
	Input power (AC IN)
	Energy left in battery (State of Charge)
	Time remaining during discharge

WARNING

If you are not knowledgeable about electrical systems, have an electrical professional install this unit.

CAUTION

The SmartRemote is not waterproof. Do not install where the display is exposed to water.

Warranty

The Mastervolt product warranty covers the SmartRemote for the first two years after the purchase date.

The warranty is limited to the cost of repair and/or replacement of the product. Costs of labor or shipping are not covered by this warranty.

Mastervolt cannot accept liability for damage due to the misuse of the SmartRemote.



Correct Disposal

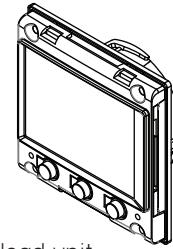
Contact your local waste disposal department to properly dispose of the unit.

MASTERVOLT

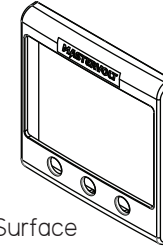
SmartRemote

QuickStart Installation Guide

Components included



Head unit



Surface mount bezel



Bayonet collar



4 x Phillips countersunk self-tapping screws (2.9x16)



Mastervolt CZone Drop Cable* (1m / 3.3ft)



MasterBus cable* (6m / 20ft)



MasterBus Terminator*

* Need to be ordered separately with OEM packaging

On first use

When the SmartRemote is added to a MasterBus network, it will scan for available supported devices to pair with. If there is only one device, it will automatically pair with this device. If there are multiple devices, it will ask to select a device.



When changing the language, be aware that language of the SmartRemote and language of the paired device are two separate settings!

Operation Notes

The three push buttons P1, P2 and P3 provide a scroll and select function. Their behavior depends on the paired device. When idle, the button menu slides down. To get it back, or wake up from standby mode, press any button. Standby time can be changed from the main menu. To enter the main menu, simultaneously press P1 and P3.

How to switch, e.g. an inverter, on or off?

When the SmartRemote is active, press any key to reveal the button menu. Press P1 to switch on or off.

How to adjust the AC IN limit?

When the SmartRemote is active, press any key to reveal the button menu. Press P2 or P3 to select the required AC IN limit.

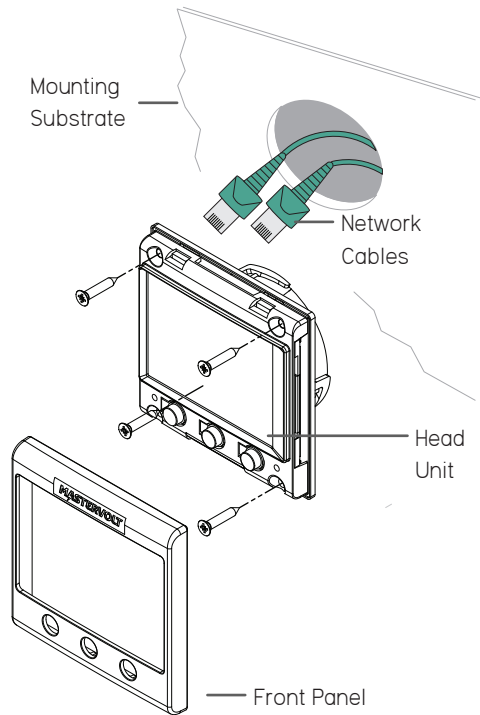
How to select another device?

First, unpair the currently paired device: simultaneously press P1 and P3 to enter the main menu. Scroll down to **Unpair device** and press the **checkmark** button. Confirm the action by pressing the **checkmark** button again. The SmartRemote will scan for available devices. If there is only one device, it will automatically pair with this device. If there are multiple devices, it will ask to select a device.

Installation Notes

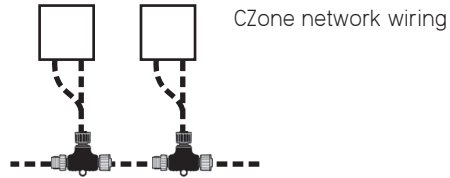
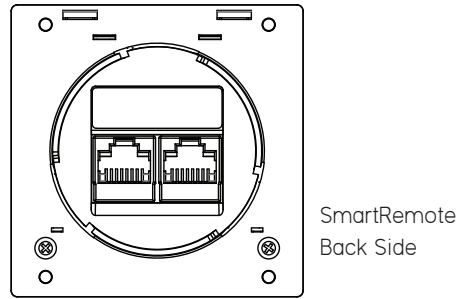
- Before installing, be sure to turn electrical power off.
- The SmartRemote is designed for indoor use only.
- Make sure the front panel is easy accessible and readable.
- Always check for existing wiring, pipes, etc. before drilling or cutting into walls.
- Make sure there is adequate space behind the mounting surface to fit the SmartRemote, including its cables.
- The SmartRemote is powered by the MasterBus network. Make sure that at least one device has MasterBus powering on (DIP switch 2 is in the ON position).

Surface Mount



To remove the front cover, gently insert a small screwdriver in the opening at the bottom.

Connect the required RJ45 cable at the back of the SmartRemote.



Ensure that the network is properly terminated.

360 Panel Mount

Note that this requires the 360 Panel Mounting Kit PN 1525 (sold separately).

STEP 1

Snap header and footer into the mounting clips on the panel frame. Snap the bezel mount into place with the flat edge up.

STEP 2

Place the carrier mount behind the panel, aligning mounting holes, and attach with 4 screws.

STEP 3

Place the SmartRemote and fasten with the bayonet collar. Turn collar until it snaps.

Mounting Template

