

FOLLOW DETAILED INSTRUCTIONS BELOW

● INSTALLATION INSTRUCTIONS

1. Remove one of the four (4) hex nuts (shown in Figure A) that hold the outboard motor onto the transom of the boat, leave flat washer in place.
2. Apply a bead of thread locking adhesive (included in package) to the length of the bolt as shown in Figure B. Make sure the bolt is clean before applying thread locking adhesive.
3. Insert the key into the lock. Turn key until it drops into place and engages the lock. Thread the lock and key assembly on the bolt by hand until finger tight, using a torque wrench final tighten the assembly to the manufacturers torque specifications. (NOTE: Thread locking adhesive requires 24 hours to fully cure.) Remove key and store in a safe place.

NOTE: Thread locking adhesive must be applied to bolt before lock is installed.
See enclosed warranty information.

09429A

Figure A

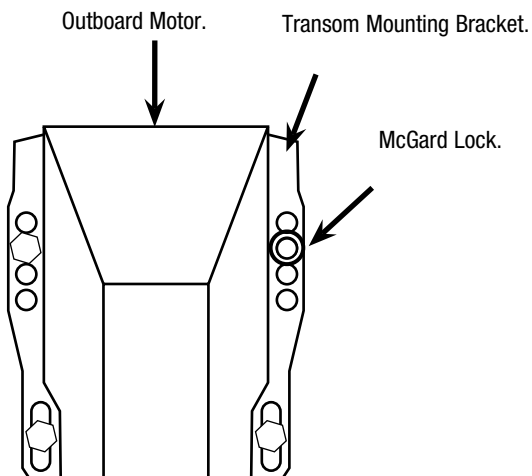


Figure B

