



MEMPHIS
XTREME AUDIO

EST 1965 | MEMPHIS, TN | USA

OPERATION CONTINUED



FM MODE

JUMP TO PREVIOUS PRESET STATION - **SHORT PUSH**
ENTER "MANUAL MODE" (SHOWING 2 SECONDS) **SHORT PUSH** TO HAVE STEPPING FREQUENCY ADJUSTMENT OR PRESS AND HOLD TO HAVE FAST FORWARD FREQUENCY ADJUSTMENT.
AFTER ENTER "MANUAL MODE" IF NO ADJUSTMENT FOR 3 SECONDS, IT WILL AUTOMATICALLY SWITCH BACK TO AUTO MODE AND SHOW "AUTO" FOR 2 SECONDS

USB MODE

FAST BACKWARD - **LONG PUSH**



FM MODE

JUMP TO NEXT PRESET STATION - **SHORT PUSH**
ENTER "MANUAL MODE" (SHOWING 2 SECONDS) **SHORT PUSH** TO HAVE STEPPING FREQUENCY ADJUSTMENT OR PRESS AND HOLD TO HAVE FAST FORWARD FREQUENCY ADJUSTMENT.
AFTER ENTER "MANUAL MODE" IF NO ADJUSTMENT FOR 3 SECONDS, IT WILL AUTOMATICALLY SWITCH BACK TO AUTO MODE AND SHOW "AUTO" FOR 2 SECONDS
FAST FORWARD - **LONG PUSH**

PAIRING DEVICES

WHEN BT MUSIC IS FLASHING THE DEVICE IS IN PAIRING MODE

LOCATE THE DEVICE NAME ON YOUR PHONE TO PAIR. DEVICE NAME: **MEMPHIS MXA1**

Settings:

PRESS AND HOLD MODE(4) TO ENTER SETTING MENU. PRESS AND RELEASE MODE (4) TO CHANGE MENU ITEMS. TO ADJUST SETTING USE ROTARY DIAL (5). ADJUSTABLE SETTINGS ARE: BASS, TREBLE, BALANCE, FADER, BEEP, EQ, LOUD AND TUNER REGION.

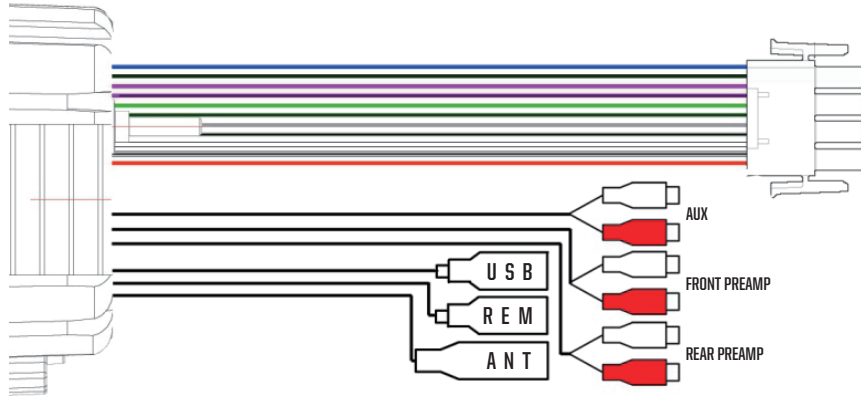
MXA1MC

Gauge Style Media Center



Thank you for purchasing Memphis Audio's Gauge Style Media Center.

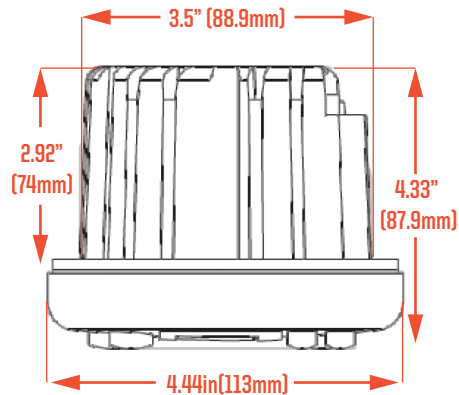
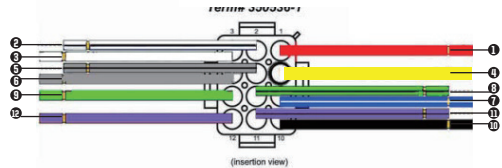
INSTALLATION OVERVIEW



CONNECTION:

- Pin 1 - Red // 12V Ignition
- Pin 2 - White & Black // Left Front Speaker (-)
- Pin 3 - White // Left Front Speaker (+)
- Pin 4 - Yellow // 12V Constant
- Pin 5 - Grey & Black // Right Front Speaker (-)
- Pin 6 - Grey // Right Front Speaker (+)
- Pin 7 - Blue // Remote Turn On
- Pin 8 - Green & Black // Left Rear Speaker (-)
- Pin 9 - Green // Left Rear Speaker (+)
- Pin 10 - Black // Ground
- Pin 11 - Purple & Black // Right Rear Speaker (-)
- Pin 12 - Purple // Right Rear Speaker (+)

*For 2 wire zero current draw when powered off:
Wire 12v constant and 12v ignition together



BUTTON FUNCTIONS



CONTROLS

1. SEEK DOWN
2. APS / PLAY / PAUSE
3. SEEK UP
4. MODE
5. POWER/VOLUME
6. BAND

POWER & ROTARY KNOB

- POWER ON - LONG PUSH
- MUTE - SHORT PUSH
- POWER OFF - LONG PUSH
- VOLUME - ROTATE KNOB

MODE

- FUNCTION SELECT (FM/BT/USB [IF INSERTED] AUX CYCLE) - SHORT PUSH
- BASS/TREBLE/BALANCE/FADE/LOUD/EQ/CLOCK ADJUST - LONG PUSH TO ENTER MENUS
- SCROLL THROUGH FUNCTIONS AND VOLUME TO ADJUST FUNCTIONS - SHORT PUSH

PLAY/PAUSE/APS

- PLAY/PAUSE - SHORT PUSH
- USB MODE**
- ENTER TRACK NUMBER BY ROTATING KNOB, PRESS KNOB TO SELECT TRACK OR LEAVE FOR 3 SECONDS TO PLAY TRACK - APS LONG PUSH
- RADIO MODE**
- JUMP TO NEXT STATION - SHORT PUSH
- AUTO-SCAN PRESET STATIONS - LONG PUSH

BAND

- RADIO MODE**
- BAND SELECT FM1, FM2, FM3, AM1, AM2, FM1 CYCLING - SHORT PUSH
- STORE DESIRED STATION AS A PRESET - LONG PUSH
- USB MODE**
- TITLE, ARTIST, ALBUM, TRACK NUMBER, & TIME LAPPED (CYCLING) - SHORT PUSH
- TURN ON/OFF "REPEAT" 1 SONG PLAYBACK - LONG PUSH
- BLUETOOTH MODE**
- DISCONNECT LINKED BLUETOOTH DEVICE - LONG PUSH