

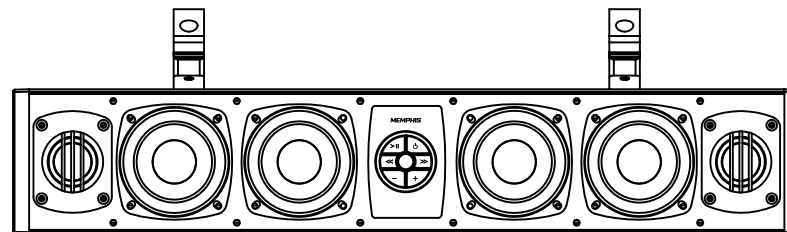


MEMPHIS
XTREME AUDIO

PRODUCT MANUAL & INSTALLATION GUIDE



MEMPHIS
XTREME AUDIO



MXASB20V2

ALL WEATHER CLAMP MOUNT SOUND BAR



MXASB20V2

READY TO TURN IT UP? READ THIS FIRST!

Memphis Audio built a 50 year legacy in the audio industry engineering the highest quality products to produce the best possible listening experience for our fans and loyal supporters. To fully appreciate our products we recommend taking the time to read and follow the instructions in this manual. As always, we recommend all installations and service be performed by an authorized Memphis Audio dealer.



TIP For optimal performance, Memphis recommends using only Memphis Connection accessories. Outfitting your system with properly sized Memphis Connection wire and accessories will dramatically boost your listening experience and increase the durability of your Memphis Audio products.

The Memphis MXASB20V2 Sound bar is designed to make it easy to bring Memphis sound to virtually any vehicle. The easy to install, all in one unit is transforms your Bluetooth enabled device into the controls for your entire Audio experience. The multiple mounting options allow the MXASB20V2 to fit on nearly any UTV, Boat, golf cart or anything with a bar to mount it on. The MXASB20V2 was designed to be resistant to the outdoor elements, so get ready to enjoy that Memphis Sound wherever you are!

FEATURES

- Built in Bluetooth receiver
- Passive radiator for enhanced mid bass
- Resistant to water and elements
- Dual adjustable clamp fits bars 1"-2.5" tubes
- Self powered Plug & Play for quick installation
- AUX input
- 2-Channel output

SPECIFICATIONS

- 6 Speaker system- 4 x 3" speakers and 2 x 1" tweeters
- Total Power: 200 Watts
- Dimensions 21.3" x 3.5" x 3.9"
- Clamp Fit: 1.25"-2.75" Tube Mounts

CONTROLS

Bluetooth pairing:

Hold the power button to turn the unit on. The indicator light will begin flashing blue. Go to your device and search for "Memphis SB20V2" and click connect. The blue light will stay solid blue when connected.

Bluetooth Operation:

Power Button: Hold for power on/off. Quick press to select between Bluetooth and Aux in modes

Play Pause: Pauses and Plays the music. (Mutes music when in Aux-in mode)

Track Forward/Back: Skips tracks forward and back

V+/V-: Controls the volume of the internal amplifier

Status Light: Flashes Blue when in Bluetooth Discovery mode. Solid blue when connected to a device. Solid green when in AUX in mode.

INSTALLATION INSTRUCTIONS

Wiring:

The MXASB20V2 can be used with any 12-volt battery and can be mounted to a variety of bars using the included hardware. The unit has two wires in its wiring pigtail. The red wire (constant 12v), should be directly connected to the vehicles positive battery terminal, the black wire (chassis ground) should be connected directly to the vehicle's chassis where paint has been removed or the negative terminal on the battery.

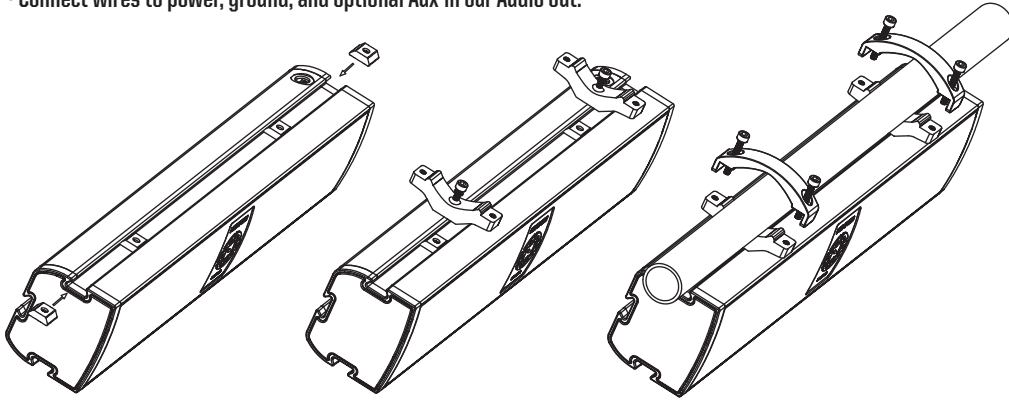
Optional Wiring:

The green female 3.5mm jack is to be used for an optional Auxiliary input. You can use this jack to connect any audio device via 3.5mm jack.

The white female 3.5mm jack is a 2.5v low level audio out designed to drive external amplifiers. This allows the MXASB20V2 to be used as the main source while adding more audio components to your system.

MOUNTING

- Take 14 mm bolt with lock washer and place it through bottom of clamp and slightly thread into Dove tailed piece.
- Slide assembly into one of the three dove tail recessed areas placing the unit at the desired angle.
- Tighten bolt to securely hold bracket in place.
- Repeat this step for both included brackets. Both brackets must be used during installation.
- Use bracket top half and tighten down over bar using the four included bolts, two per clamp.
- Tighten until the unit is secure.
- Connect wires to power, ground, and optional Aux-in our Audio out.



TROUBLESHOOTING

No Output:

- Confirm all wiring is firmly connected.
- Both +12V must have +12 Volts present and GND must be connected to chassis' ground or to the negative battery terminal.
- Confirm the signal source is connected via Bluetooth or the auxiliary cable is connected to both the source and the MXASB20V2

Weak Output

- Check Bluetooth device volume level.

Unwanted Noise

- Whine that increases and decreases with engine speed - confirm the Amp & Source unit are grounded properly.
- Clicking or popping noise at a rate that follows engine speed - this is often induced by the vehicles ignition system. Confirm that the vehicle is equipped with resistor spark plugs and wires. The ignition system may need service.
- Noise can be caused by routing speaker input wires too close to the light wires and other accessory wires in the vehicle. Re-route wires to avoid unwanted interference.

Red LED is Illuminated

- Speaker or wire is shorted • Battery voltage too low
- Battery voltage too high • Amplifier has overheated due to improper ventilation

If above steps do not improve/reduce noise, the system should be checked by a professional audio installer at a Memphis Authorized Dealer.