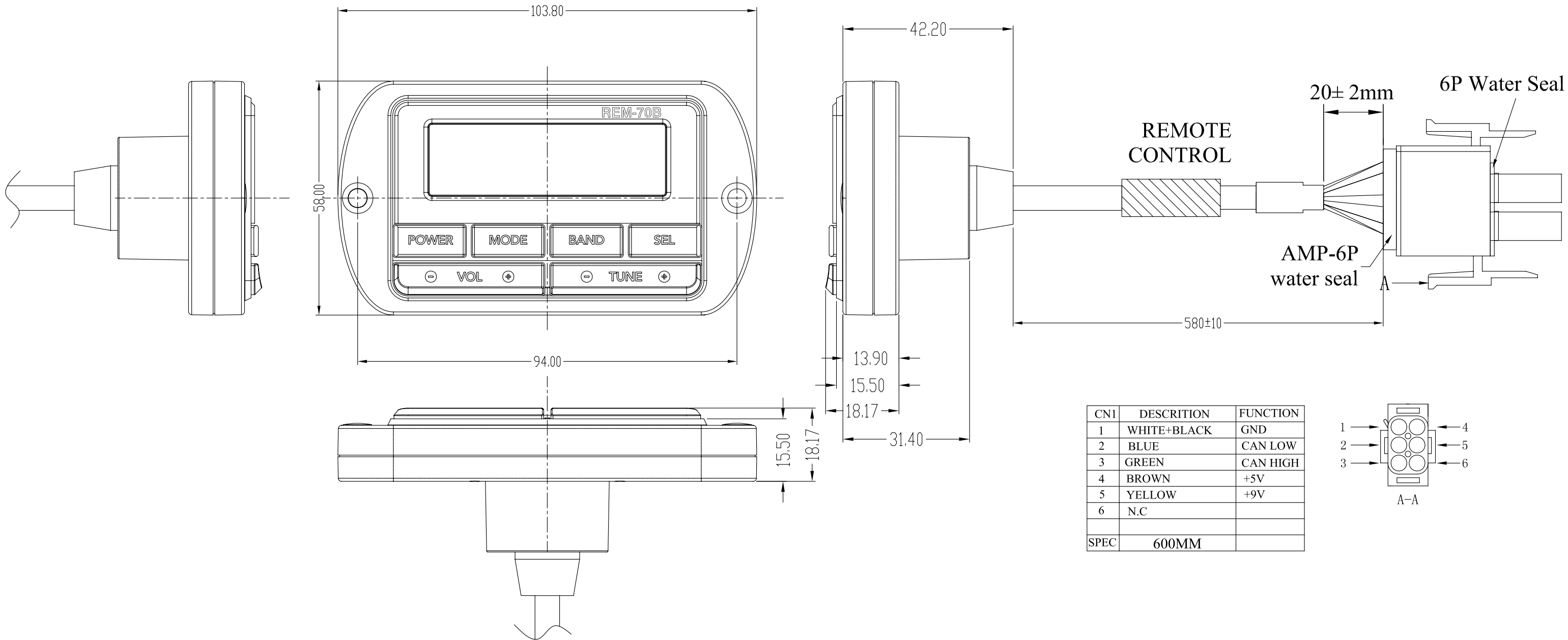
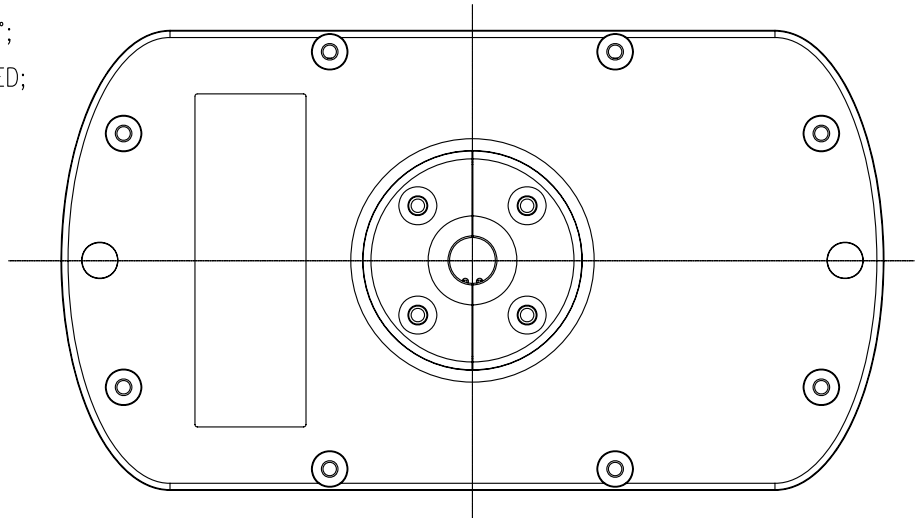


# Millennia

REV.	DESCRIPTION	PROJECT /DATE	APPROVAL /DATE
1.1	Have tolerance for Cable length.	2016.06.29	2016.06.30



- NOTES:
1. U.O.S. GEN. TOLERANCES  $\pm 0.1$  . ANGLE  $\pm 0.3^\circ$ ;
  2. ALL CORNER SHOULD BE R0.3 UNLESS SPECIFIED;
  3. ALL WALL THK. SHOULD BE 1.6MM UNLESS SPECIFIED;
  4. ALL RIB THK. SHOULD BE 1.0MM UNLESS SPECIFIED;
  5. PARTS MUST FREE OF FLASH, SHRINK MARK OR ANY MOLDING IMPERFECTION;
  6. ALL 'R' ARE QUADRANT OF ARC UNLESS SPECIFIED;



Learn more about GPS navigation on our website.

AUDIO DEVELOPMENT ORGANIZATION		
DESCRIPTION: <b>Layout</b>	MODEL NO.: <b>REM-70B</b>	
MATERIAL/COLOUR:	PART NO.:	
FINISH:	SCALE: <b>1 : 1</b>	REV.: 1.1
DRAWN:	CHK BY:	APPR BY:
DATE:	DATE:	DATE:
UNIT: <b>MM</b>	*** DO NOT SCALE DRAWING ***	
		A3

ALL DIMENSIONS ARE IN MM