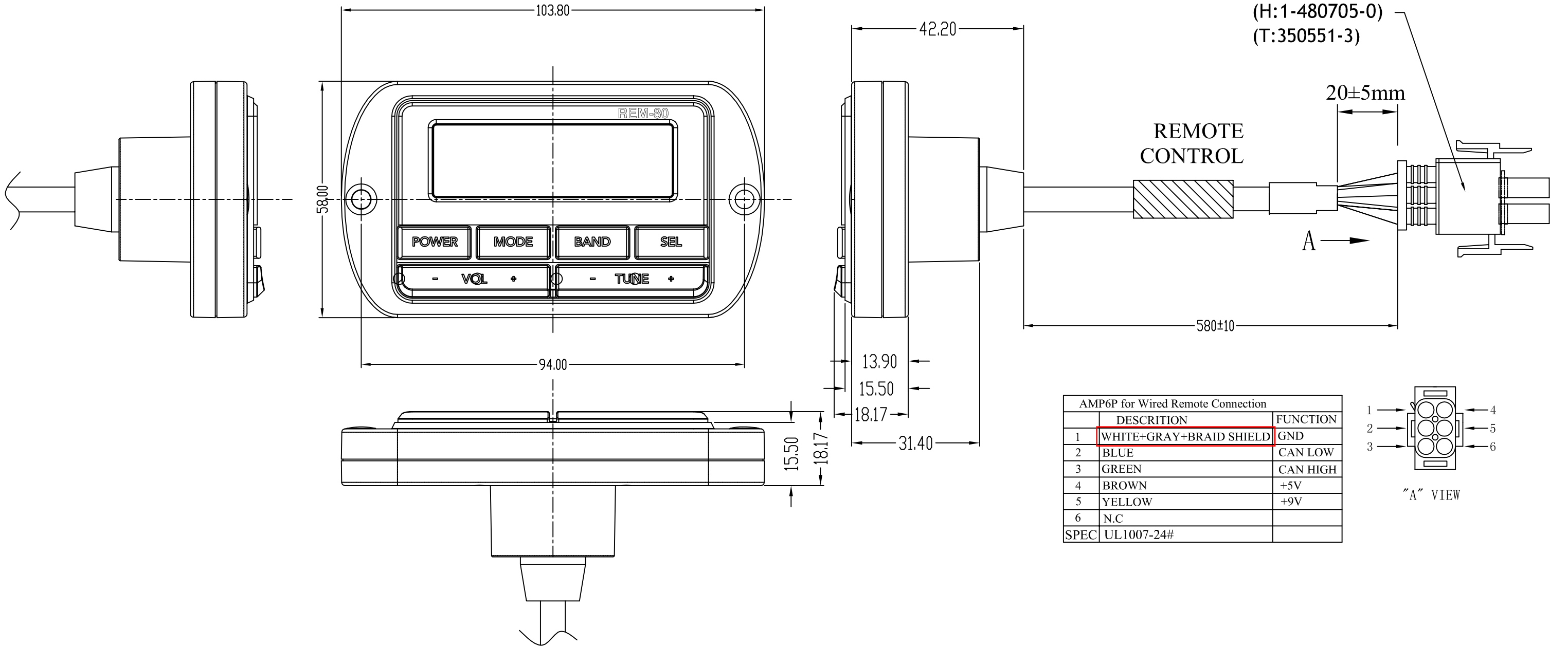
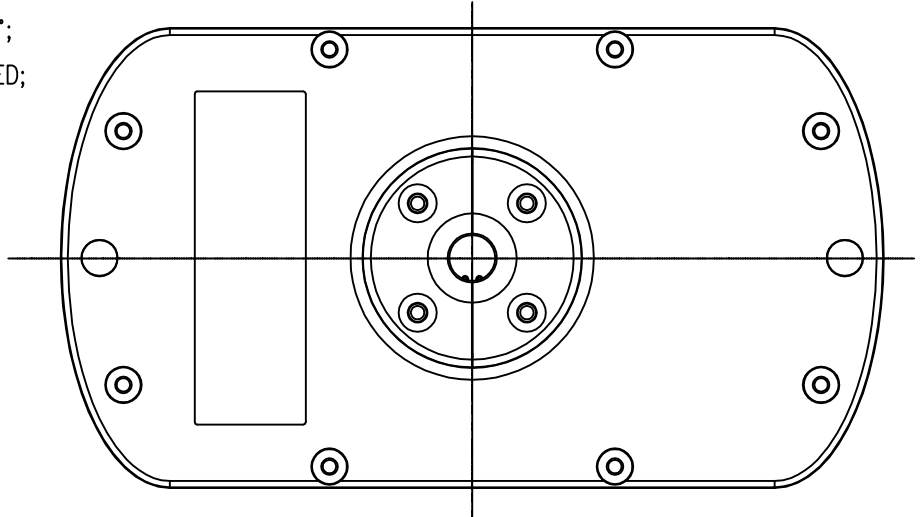


Millennia

REV.	DESCRIPTION	PROJECT /DATE	APPROVAL /DATE
V1.1	Correct AMP6P pin1 wire color	2019.1.22	



- NOTES:
1. U.O.S. GEN. TOLERANCES ± 0.1 . ANGLE $\pm 0.3^\circ$;
 2. ALL CORNER SHOULD BE R0.3 UNLESS SPECIFIED;
 3. ALL WALL THK. SHOULD BE 1.6MM UNLESS SPECIFIED;
 4. ALL RIB THK. SHOULD BE 1.0MM UNLESS SPECIFIED;
 5. PARTS MUST FREE OF FLASH, SHRINK MARK OR ANY MOLDING IMPERFECTION;
 6. ALL 'R' ARE QUADRANT OF ARC UNLESS SPECIFIED;



Learn more about GPS navigation on our website.

AUDIO DEVELOPMENT ORGANIZATION		
DESCRIPTION: Layout	MODEL NO.: REM-80	
	PART NO.:	
MATERIAL/COLOUR:	QTY:	CAD FILE:layout.dwg
FINISH:	SCALE: 1 : 1	REV.:
DRAWN:	CHK BY: <i>Alice Yu.</i>	APPR BY: V1.1
DATE:	DATE: 2019-1-22	DATE:
UNIT: MM	*** DO NOT SCALE DRAWING ***	
		A3

ALL DIMENSIONS ARE IN MM