

EDGE

BOW-MOUNT TROLLING MOTOR

USER MANUAL

CE MASTER USER MANUAL (FOR CE/C-TICK CERTIFIED MODELS)

Conforms to 89/336/EEC (EMC) under standards EN 55022A, EN 50082-2 since 1996 LN V9677264

THANK YOU

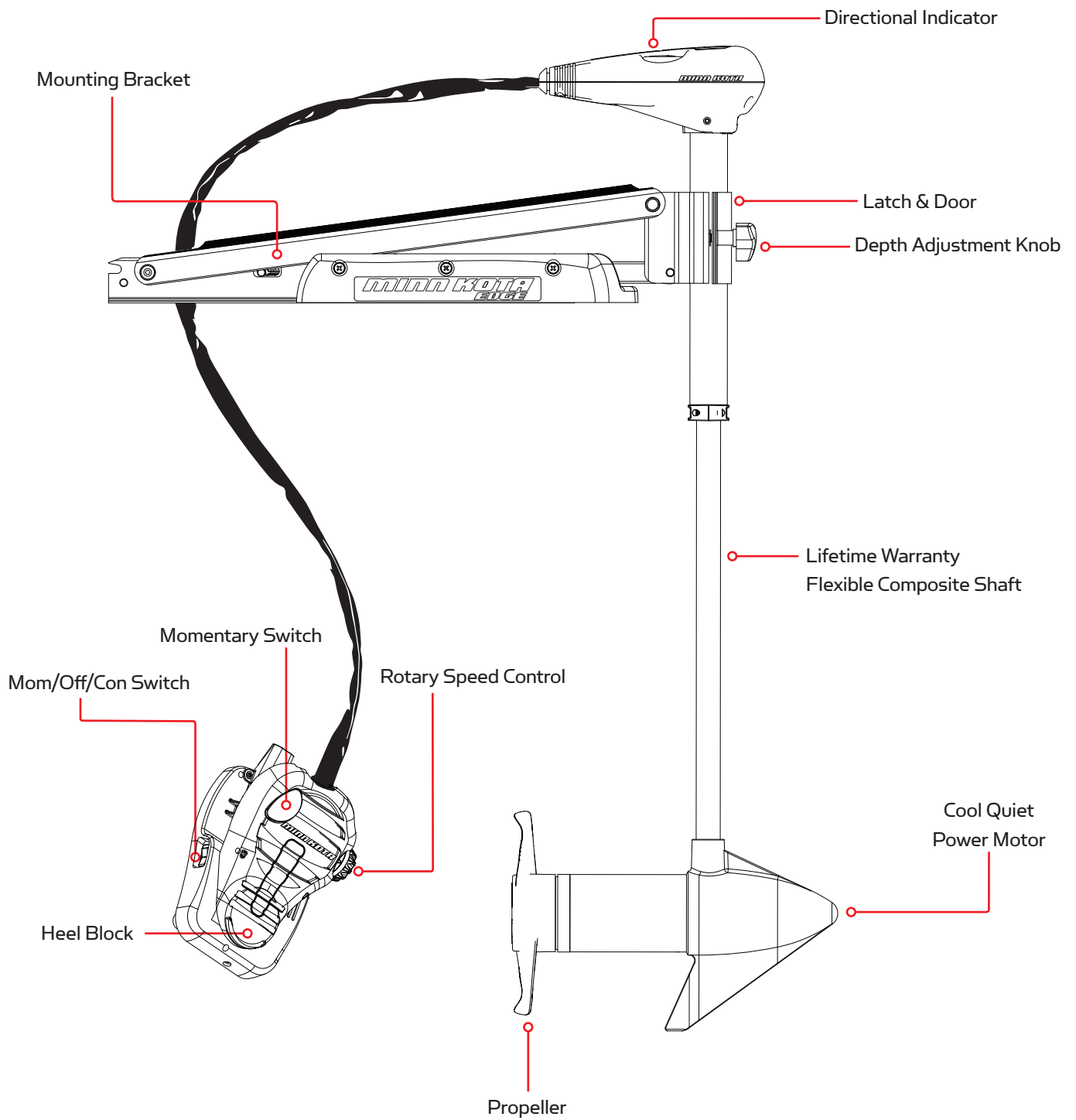
Thank you for choosing Minn Kota. We believe that you should spend more time fishing and less time positioning your boat. That's why we build the smartest, toughest, most intuitive trolling motors on the water. Every aspect of a Minn Kota trolling motor is thought out and rethought until it's good enough to bear our name. Countless hours of research and testing provide you the Minn Kota advantage that can truly take you "Anywhere. Anytime." We don't believe in shortcuts. We are Minn Kota. And we are never done helping you catch more fish.

Please thoroughly read this user manual. Follow all instructions and heed all safety and cautionary notices below. Use of this motor is only permitted for persons that have read and understood these user instructions. Minors may use this motor only under adult supervision.

ATTENTION: Never run the motor out of the water, as this may result in injuries from the rotating propeller. The motor should be disconnected from the power source when it is not in use or is off the water. When connecting the power-supply cables of the motor to the battery, ensure that they are not kinked or subject to chafe and route them in such a way that persons cannot trip over them. Before using the motor make sure that the insulation of the power cables is not damaged. Disregarding these safety precautions may result in electric shorts of battery(s) and/or motor. Always disconnect motor from battery(s) before cleaning or checking the propeller. Avoid submerging the complete motor as water may enter the lower unit through control head and shaft. If the motor is used while water is present in the lower unit considerable damage to the motor can occur. This damage will not be covered by warranty.

CAUTION: Take care that neither you nor other persons approach the turning propeller too closely, neither with body parts nor with objects. The motor is powerful and may endanger or injure you or others. While the motor is running watch out for persons swimming and for floating objects. Persons whose ability to run the motor or whose reactions are impaired by alcohol, drugs, medication, or other substances are not permitted to use this motor. This motor is not suitable for use in strong currents. The constant noise pressure level of the motor during use is less than 70dB(A). The overall vibration level does not exceed 2,5m/sec².

FEATURES



Specifications subject to change without notice.

*This diagram is for reference only and may differ from your actual motor.

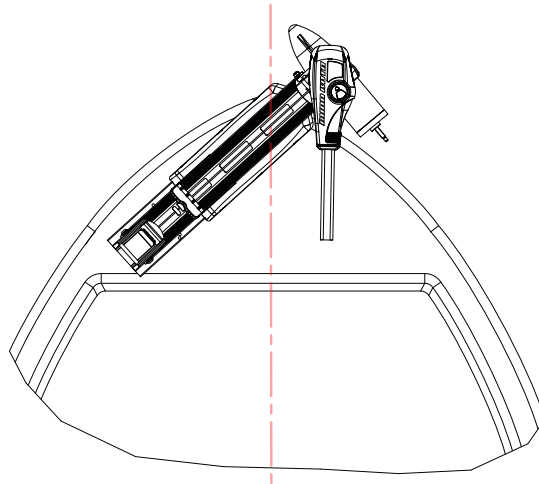
MOUNT INSTALLATION

TOOLS AND RESOURCES REQUIRED:

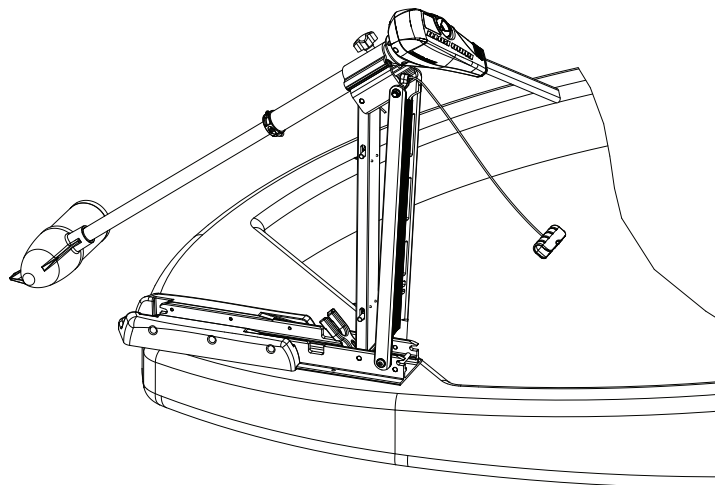
- Phillips Screw Driver
- Drill
- 9/32" Drill Bit
- 7/16" Box End Wrench
- A second person to help with the installation

1. Before you proceed, determine the desired mounting location for the motor. It is recommended that the motor be mounted as close to the center line of the boat as possible as seen below.

CAUTION: Make sure the motor is mounted on a level surface and is not connected to a power source.



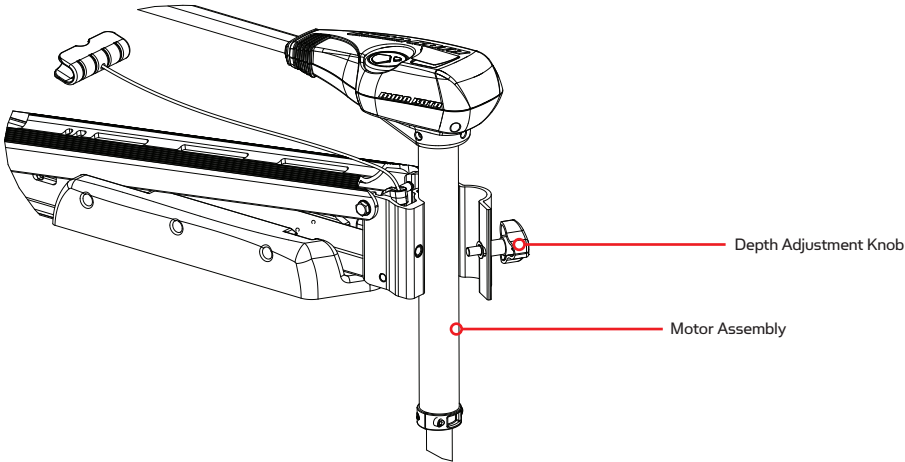
2. Verify the area under the chosen mounting location is clear and safe to drill through.
3. Place the motor on top of the desired mounting location while it is in the stowed position (for stow and deploy instructions, see "Stowing and Deploying the Motor" on p. 11).
4. Verify the motor rest is positioned far enough beyond the edge of the boat so that the motor clears all obstructions while deploying and stowing the motor.



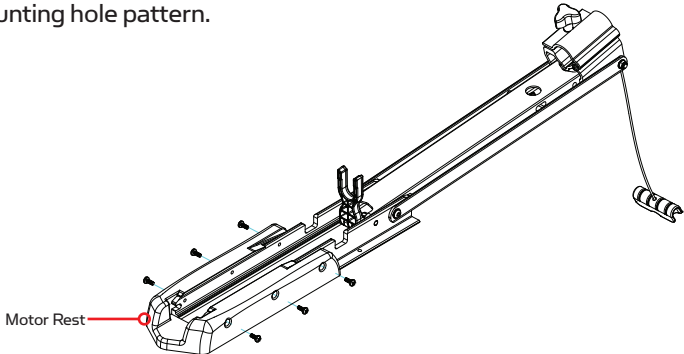
- 5. Deploy the motor and remove the motor assembly from the mount by loosening the Steering Tension Knob and opening the door.

WARNING:

When raising or lowering motor, keep fingers clear of all hinge and pivot points and all moving parts.



- 6. Position the mount again in the stowed position.
- 7. Temporarily remove the Phillips screws that fasten the motor rest to the mounting bracket and remove the motor rest to expose the motor mounting hole pattern.



- 8. Determine the mounting hole pattern you wish to use from the illustration to the right. Using the mounting holes in the mount as your template, mark the top deck of the boat with a pencil or an erasable marker.

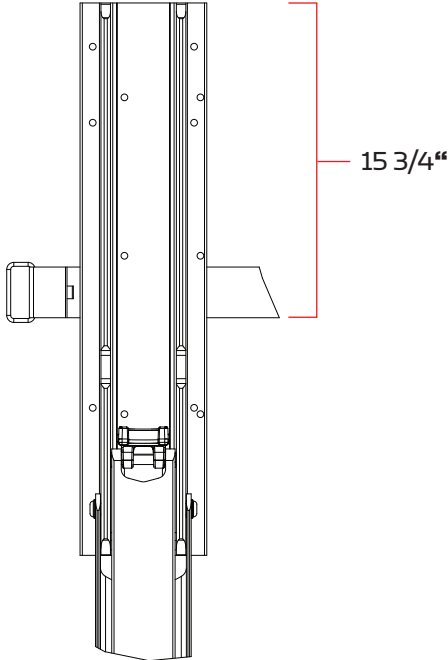
- 9. Remove the mount from the deck of the boat and drill the holes that you marked in the previous step using a 9/32" drill bit and drill. Be careful not to damage any wiring or critical features that may exist under the surface you are drilling through.

- 10. Place the mount on the deck of the boat again and verify the hold down strap is positioned 15 3/4" from the front of the bow mount as shown in the diagram.

- 11. Fasten the mount to the deck of the boat using the supplied 1/4" – 20 X 2" bolts, washers and nuts. Tighten the stainless mount hardware securely but slowly to the deck of the boat using a 7/16" box end wrench. Tightening the stainless hardware too fast may result in galling and or seizing of the bolts and nuts.

- 12. Reinstall the motor rest using the six original 1/4" Phillips screws.

- 13. Reinstall the motor assembly into the mount and securely tighten the steering tension knob.



BATTERY WIRING & INSTALLATION

BOAT RIGGING & PRODUCT INSTALLATION

For safety and compliance reasons, we recommend that you follow American Boat and Yacht Council (ABYC) standards when rigging your boat. Altering boat wiring should be completed by a qualified marine technician. The following specifications are for general guidelines only:

CAUTION: These guidelines apply to general rigging to support your Minn Kota motor. Powering multiple motors or additional electrical devices from the same power circuit may impact the recommended conductor gauge and circuit breaker size. If you are using wire longer than that provided with your unit, follow the conductor gauge and circuit breaker sizing table below. If your wire extension length is more than 25 feet, we recommend that you contact a qualified marine technician.

An over-current protection device (circuit breaker or fuse) must be used. Coast Guard requirements dictate that each ungrounded current-carrying conductor must be protected by a manually reset, trip-free circuit breaker or fuse. The type (voltage and current rating) of the fuse or circuit breaker must be sized accordingly to the trolling motor used. The table below gives recommended guidelines for circuit breaker sizing.

Reference:

United States Code of Federal Regulations: 33 CFR 183 – Boats and Associated Equipment
ABYC E-11: AC and DC Electrical Systems on Boats

CONDUCTOR GAUGE AND CIRCUIT BREAKER SIZING TABLE

Motor Thrust / Model	Max Amp Draw	Circuit Breaker	Wire Extension Length *				
			5 feet	10 feet	15 feet	20 feet	25 feet
30 lb.	30	50 Amp @ 12 VDC	10 AWG	10 AWG	8 AWG	6 AWG	4 AWG
40 lb., 45 lb.	42		10 AWG	8 AWG	6 AWG	4 AWG	4 AWG
50 lb., 55 lb.	50	60 Amp @ 12 VDC	8 AWG	6 AWG	4 AWG	4 AWG	2 AWG
70 lb.	42	50 Amp @ 24 VDC	10 AWG	10 AWG	8 AWG	8 AWG	6 AWG
80 lb.	56	60 Amp @ 24 VDC	8 AWG	8 AWG	8 AWG	6 AWG	6 AWG
101 lb.	46	50 Amp @ 36 VDC	8 AWG	8 AWG	8 AWG	8 AWG	8 AWG
Engine Mount 101	50	60 Amp @ 36 VDC	8 AWG	6 AWG	4 AWG	4 AWG	2 AWG
112 lb.	52	60 Amp @ 36 VDC	8 AWG	8 AWG	8 AWG	8 AWG	8 AWG
Engine Mount 160	116	(2) x 60 Amp @ 24 VDC	2 AWG	2 AWG	2 AWG	2 AWG	2 AWG
E-Drive	40	50 Amp @ 48 VDC	10 AWG	10 AWG	10 AWG	10 AWG	10 AWG

This conductor and circuit breaker sizing table is only valid for the following assumptions:

1. No more than 3 conductors are bundled together inside of a sheath or conduit outside of engine spaces.
2. Each conductor has 105° C temp rated insulation.
3. No more than 5% voltage drop allowed at full motor power based on published product power requirements.

***Wire Extension Length refers to the distance from the batteries to the trolling motor leads.**

SELECTING THE CORRECT BATTERIES

The motor will operate with any lead acid, deep cycle marine 12 volt battery/batteries. For best results, use a deep cycle, marine battery with at least a 105 ampere hour rating. Maintain battery at full charge. Proper care will ensure having battery power when you need it, and will significantly improve the battery life. Failure to recharge lead-acid batteries (within 12-24 hours) is the leading cause of premature battery failure. Use a multi-stage charger to avoid overcharging. We offer a wide selection of chargers to fit your charging needs. If you are using a crank battery to start a gasoline outboard, we recommend that you use a separate deep cycle marine battery/batteries for your Minn Kota trolling motor.

Advice Regarding Batteries:

- Never connect the (+) and the (-) terminals of the battery together. Take care that no metal object can fall onto the battery and short the terminals. This would immediately lead to a short and extreme fire danger.
- It is highly recommended that a circuit breaker or fuse be used with this trolling motor. Refer to “Conductor Gauge and Circuit Breaker Sizing Table” in the previous section to find the appropriate circuit breaker or fuse for your motor. For motors requiring a 60-amp breaker, the Minn Kota MKR-19 60-amp circuit breaker is recommended.

CONNECTING THE BATTERIES

12 VOLT SYSTEMS:

1. Make sure that the motor is switched off (speed selector on “OFF” or “0”).
2. Connect positive (+) red lead to positive (+) battery terminal.
3. Connect negative (-) black lead to negative (-) battery terminal.
4. For safety reasons do not switch the motor on until the propeller is in the water.

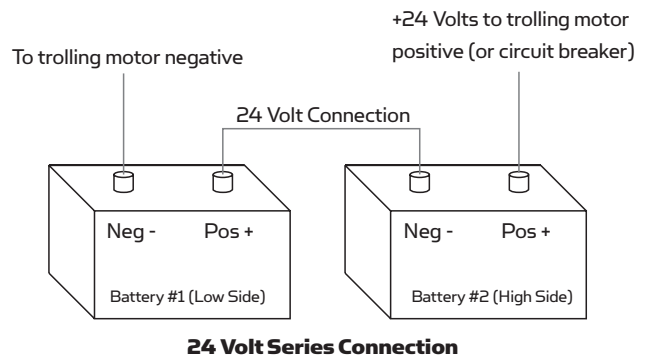
CAUTION:

For safety reasons, disconnect the motor from the battery/batteries when the motor is not in use or while the battery/batteries are being charged.

CONNECTING THE BATTERIES IN SERIES (IF REQUIRED FOR YOUR MOTOR)

24 VOLT SYSTEMS:

1. Make sure that the motor is switched off (speed selector on “0”).
2. Two 12 volt batteries are required.
3. The batteries must be wired in series, only as directed in wiring diagram, to provide 24 volts.
 - a. Connect a connector cable to the positive (+) terminal of battery 1 and to the negative (-) terminal of battery 2.
 - b. Connect positive (+) red lead to positive (+) terminal on battery 2.
 - c. Connect negative (-) black lead to negative (-) terminal of battery 1.
4. For safety reasons do not switch the motor on until the propeller is in the water. If installing a leadwire plug, observe proper polarity and follow instructions in your boat owner’s manual. See wiring diagram on following pages.

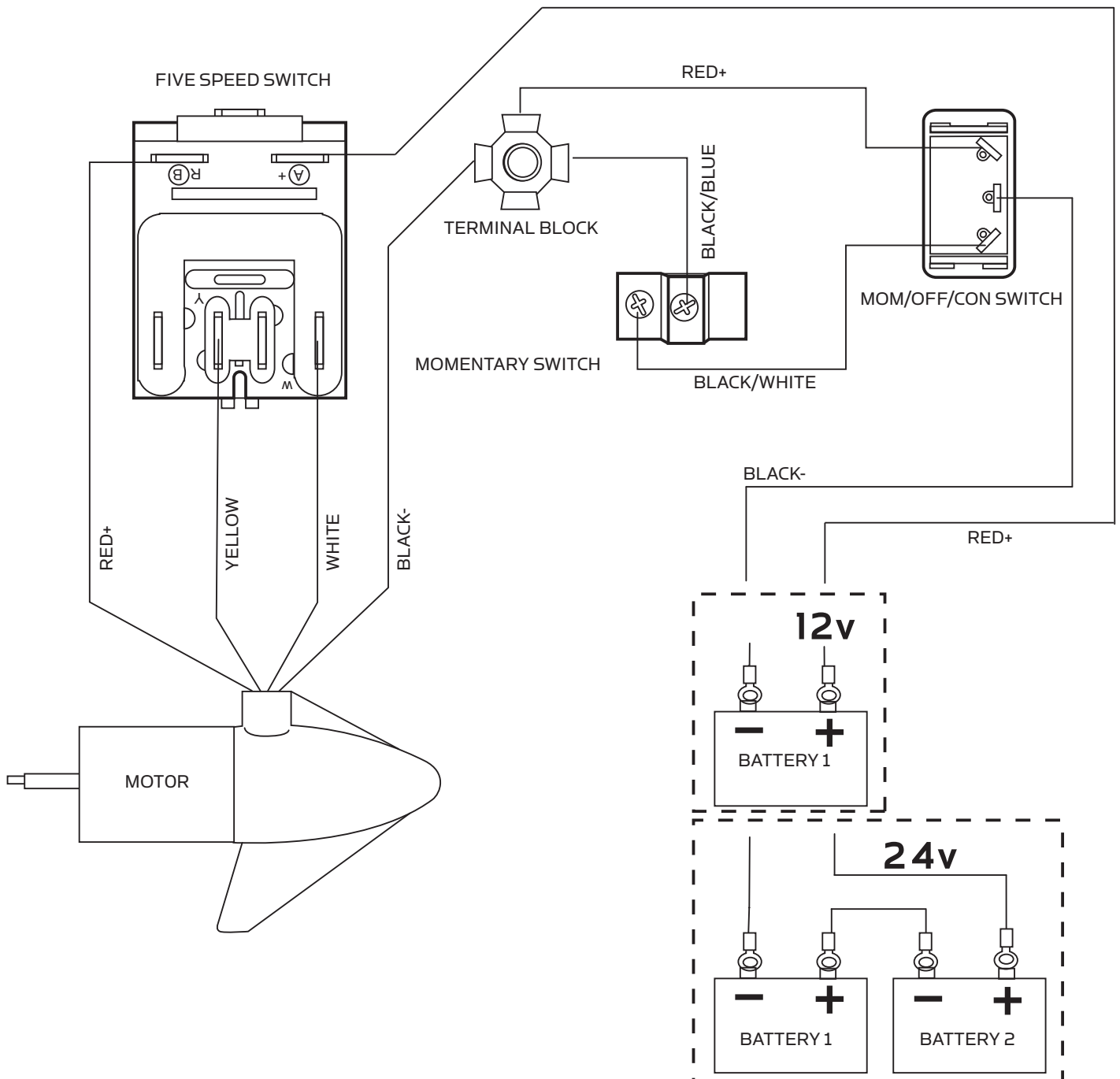


CAUTION

- **For safety reasons, disconnect the motor from the battery or batteries when the motor is not in use or while the battery/batteries are being charged.**
- **Improper wiring of 24/36 volt systems could cause battery explosion!**
- **Keep leadwire wing nut connection tight and solid to battery terminals.**
- **Locate battery in a ventilated compartment.**

MOTOR WIRING DIAGRAM

NOTE: This is a universal, multi-voltage diagram. Double-check your motor's voltage for proper connections. Over-Current Protection Devices not shown in this illustration.



USING AND ADJUSTING THE MOTOR

STOWING AND DEPLOYING THE MOTOR

WARNING:

When raising or lowering the motor, keep fingers clear of all hinge and pivot points and all moving parts.

MOUNT FEATURES

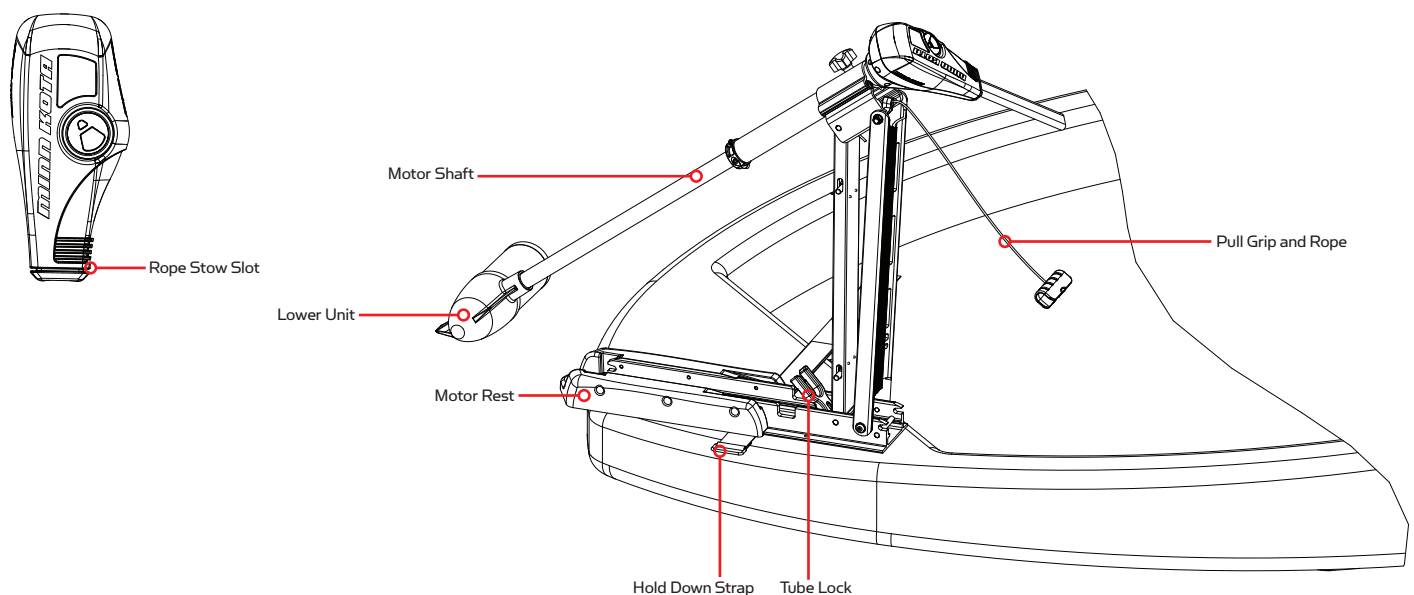
- The motor mount is designed to fold back and lock the motor flat on the deck when not in use and to provide secure stowage for transport.
- The pull grip and rope releases the lock bar, which automatically engages when the unit is lowered or raised into position. The pull grip and rope should be used to both lower and raise the unit.
- The motor rest positions the lower unit as it comes in contact with the nose of the mount and guides it onto the motor rest.
- The tube lock captures the motor shaft and keeps the lower unit centered on the motor rest.
- The hold-down strap must be used to place pressure on the motor shaft to hold the lower unit tightly against the motor rest when stowed.
- The pull grip and rope can be stored by placing the pull grip on top of the tube lock or into the rope stow slot on the control box of the motor.

TO DEPLOY THE MOTOR

Simply pull back and lift the motor off of the mount with the pull grip and rope. Lower the motor into the water using the pull grip and rope. The motor will lock into the deployed position automatically.

TO STOW THE MOTOR

Pull back and lift the motor out of the water with the pull grip and rope. Lower the lower unit onto the motor rest using the pull grip and rope. The motor will lock into the stowed position automatically. Wrap the hold-down strap over top of the motor shaft to secure the motor.

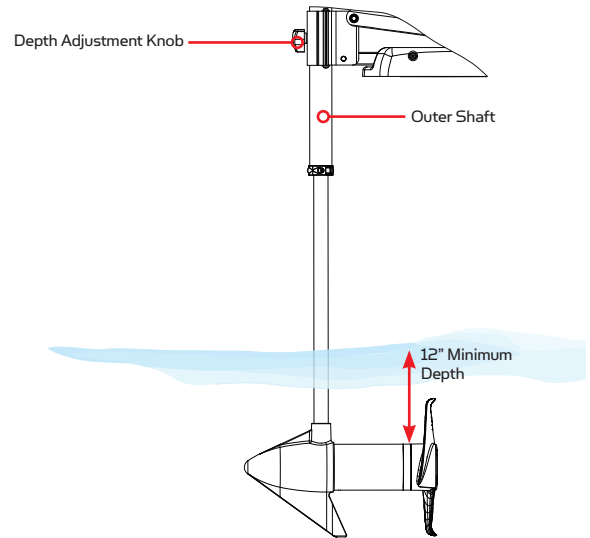


USING & ADJUSTING THE MOTOR

ADJUSTING THE DEPTH OF THE MOTOR

The propeller tip must be submerged at least 12" to avoid churning or agitation of surface water.

1. With the motor deployed, firmly grasp the outer shaft or control head and hold it steady.
2. Loosen the depth adjustment knob until the shaft slides freely.
3. Raise or lower the motor to the desired depth.
4. Turn the motor control head to the desired position.
5. Tighten depth adjustment knob to secure the motor in place.

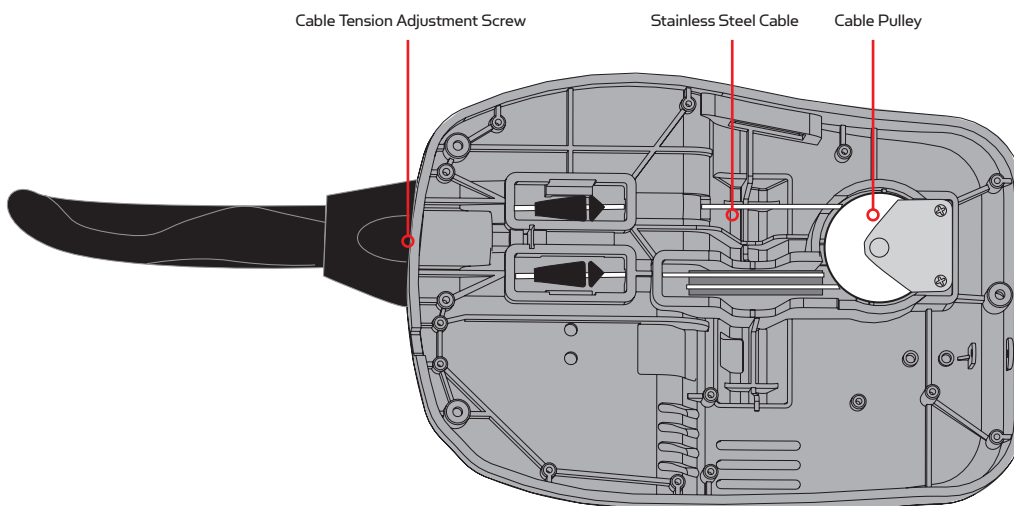


ADJUSTING THE STEERING CABLE

The steering cable tension is pre-set at the factory but will, through normal use, need occasional adjustment.

Adjust the tension of the cables by turning the cable tension adjustment screw (Phillips pan-head screw) located near the bottom of the foot pedal, just under the steering cable cover.

Turn the screw clockwise to increase tension and counter-clockwise to decrease tension.

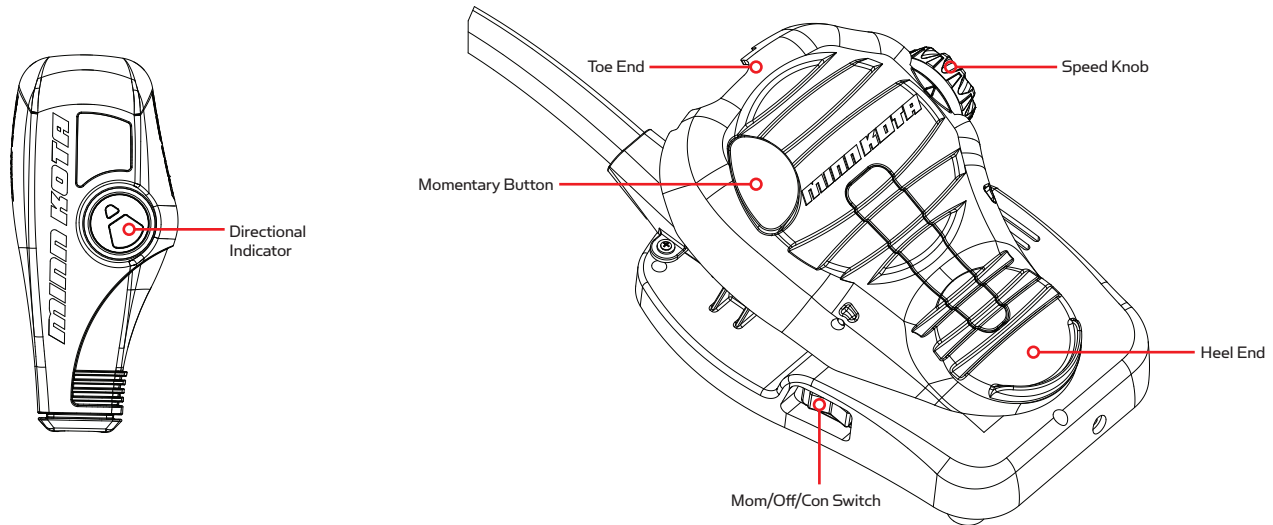


NOTE:

If the cable becomes too loose, it may disengage the wrap drum in the control box or the pulley in the foot pedal.

CONTROLLING SPEED & STEERING WITH THE FOOT PEDAL

Most controls on the foot pedal are easy to operate by either foot or hand:



TO ADJUST MOTOR SPEED

Turn the speed knob clockwise to increase speed and counter-clockwise to decrease speed.

TO OPERATE THE MOTOR IN CONTINUOUS MODE

Press the Mom/Off/Con switch on the side of the pedal to the Con position.

TO OPERATE THE MOTOR IN MOMENTARY MODE

Press the Mom/Off/Con switch on the side of the pedal to the Mom position. A toe touch to the Momentary button on the foot pedal will now turn the motor on. Removing downward force on the Momentary button will turn the motor off.

TO TURN LEFT OR RIGHT

Push the toe end of the foot pedal down to turn right and push the heel end of the foot pedal down to turn left. The indicator on the motor head shows the direction of the motor. The motor will not maintain its own heading. You must keep your foot on the pedal to control steering during operation.

TO REVERSE THE MOTOR

The motor always travels in the direction of the indicator. You can reverse the direction of the motor by turning the motor 180° from straight ahead.

CAUTION:

- **Switch the mom/off/con switch to “off” when not in use. If the motor control is left on and the propeller rotation is blocked, severe motor damage can result.**
- **Be sure to turn the motor off after each use.**
- **For safety reasons, disconnect the motor from the battery/batteries when the motor is not in use or while the battery/batteries are being charged.**

SERVICE & MAINTENANCE

PROPELLER REPLACEMENT

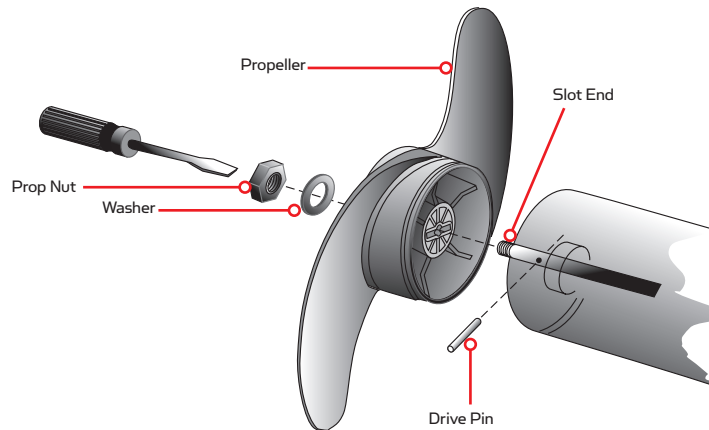
TOOLS AND RESOURCES REQUIRED:

- 7/16" Box End Wrench
- Screwdriver (optional)

CAUTION:

Disconnect the motor from the battery before beginning any prop work or maintenance.

NOTE: The propeller on your motor may differ from the one pictured.



1. Disconnect the motor from all sources of power prior to changing the propeller.
2. Hold the propeller and loosen the prop nut with pliers or a wrench.
3. Remove the prop nut and washer. If the drive pin is sheared or broken, you will need to hold the shaft stationary with a blade screwdriver pressed into the slot on the end of the shaft.
4. Turn the old prop to horizontal (as illustrated) and pull it straight off. If drive pin falls out, push it back in.
5. Align the new propeller with the drive pin.
6. Install the prop washer and prop nut.
7. Tighten the prop nut 1/4 turn past snug [25-35 inch lbs.] Do not over tighten as this can damage the prop.

GENERAL MAINTENANCE

1. After use, the entire motor should be rinsed with freshwater, then wiped down with a cloth dampened with an aqueous based silicone spray. This series of motors is not equipped for saltwater exposure.
2. The propeller must be inspected and cleaned from weeds and fishing line after every use. Fishing line and weeds can get behind the prop, damage the seals and allow water to enter the motor.
3. Verify the prop nut is secure each time the motor is used.
4. To prevent accidental damage during transportation or storage, disconnect the battery whenever the motor is off of the water. For prolonged storage, lightly coat all metal parts with an aqueous based silicone spray.
5. For maximum battery life recharge the battery(s) as soon as possible after use. For maximum motor performance restore battery to full charge prior to use.
6. Keep battery terminals clean with fine sandpaper or emery cloth.
7. The propeller is designed to provide weed free operation with very high efficiency. To maintain this top performance, the leading edge of the blades must be kept smooth. If they are rough or nicked from use, restore to smooth by sanding with fine sandpaper.

TROUBLESHOOTING & REPAIR

1. Motor fails to run or lacks power:
 - Check battery connections for proper polarity.
 - Make sure terminals are clean and corrosion free. Use fine sandpaper or emery cloth to clean terminals.
 - Check battery water level. Add water if needed.
2. Motor loses power after a short running time:
 - Check battery charge. If low, restore to full charge.
3. Motor is difficult to steer:
 - Check steering cables for proper tension. Adjust as necessary.
4. You experience prop vibration during normal operation:
 - Remove and rotate the prop 180°. See removal instructions in the Propeller Replacement Section.
5. Experiencing interference with your fishfinder:
 - You may, in some applications, experience interference in your depth finder display.

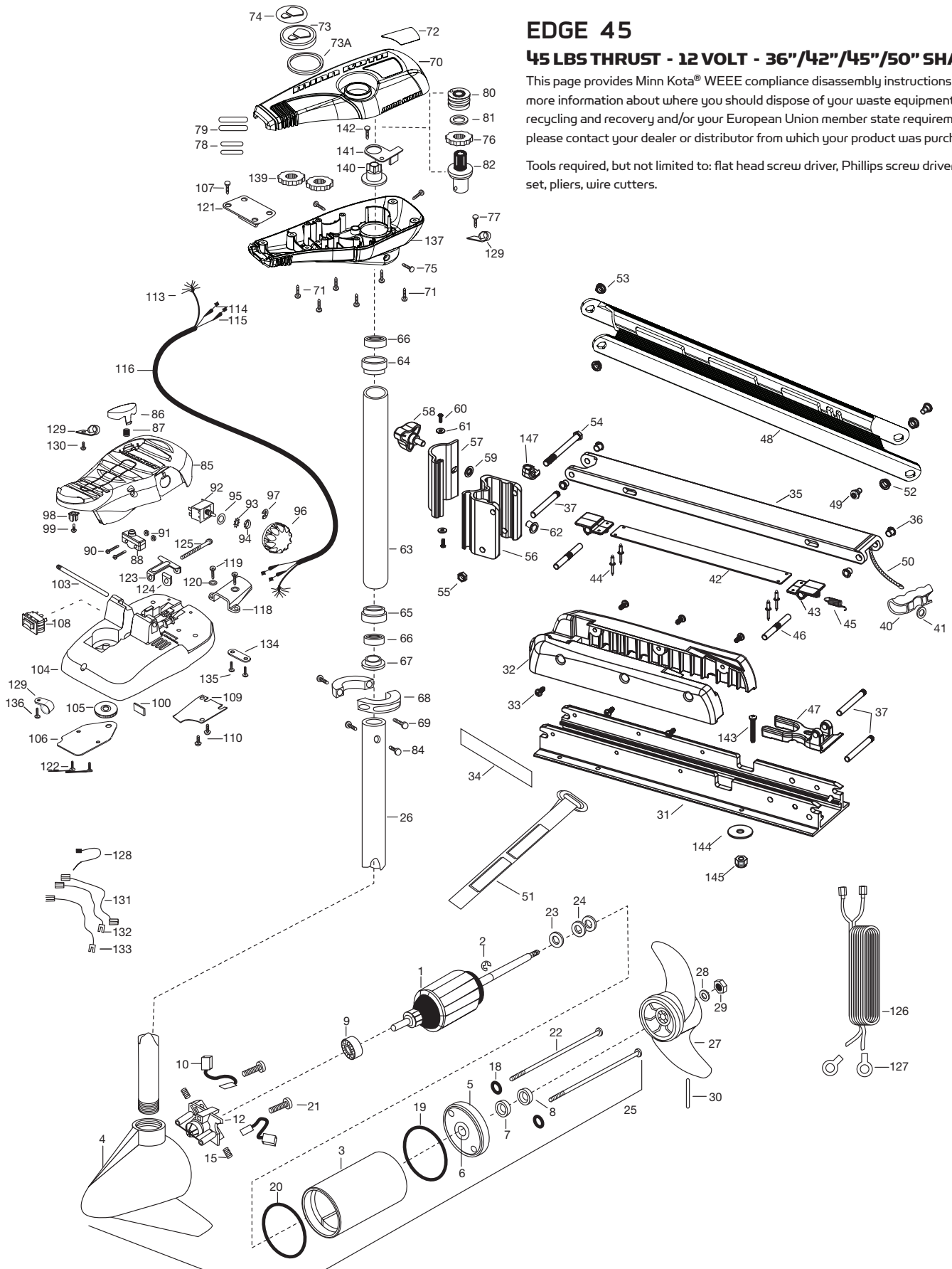
PARTS DIAGRAM

EDGE 45

45 LBS THRUST - 12 VOLT - 36"/42"/45"/50" SHAFT

This page provides Minn Kota® WEEE compliance disassembly instructions. For more information about where you should dispose of your waste equipment for recycling and recovery and/or your European Union member state requirements, please contact your dealer or distributor from which your product was purchased.

Tools required, but not limited to: flat head screw driver, Phillips screw driver, socket set, pliers, wire cutters.



EDGE 45

45 LBS THRUST - 12 VOLT - 36"/42"/45"/50" SHAFT

ITEM	QTY	PART NUMBER	DESCRIPTION
1	1	2-100-202	ARM ASSEMBLY 12 V 3.25
2	1	788-015	RETAINING RING
3	1	2-200-079	HOUSING ASSEMBLY CENTER 3.25 TXT
4	1	2-300-134	HOUSING -ASSEMBLY BRUSH END 45"-50"
	1	2-300-132	BRUSH END HOUSING ASSEMBLY
5	1	2-400-128	PLAIN END HOUSING ASSEMBLY
6	1	144-049	FLANGE BEARING [SERVICE ONLY]
7	1	880-003	SEAL
8	1	880-006	SEAL WITH SHIELD
9	1	140-010	BALL BEARING
10	2	188-052	BRUSH ASSEMBLY
12	1	738-030	BRUSH PLATE W/HOLDER 3.25
15	2	975-032	COMPRESSION SPRING
18	2	701-007	O-RING
19	1	701-039	O-RING MK406460
20	1	701-041	O-RING
21	2	830-001	SCREW - SELF-THREAD #8-32X1.7
22	2	830-078	THRU BOLT 8-32 X 8.96
23	1	990-067	STEEL THRUST WASHER
24	2	990-070	NYLATRON WASHER
25	1	2069286	MTR ASSEMBLY 12V 3.25
	1	2069285	MTR ASSEMBLY 12V 3.25
26	1	2032062	TUBE (COMP) - 36"
	1	2032063	TUBE (COMP) - 42"
	1	2032061	TUBE (COMP) - 45"
	1	2032059	TUBE (COMP) - 50"
■	1	1378121	PROPELLER KIT
27	1	2061122	PROPELLER
28	1	2151726	WASHER- 5/16 SS
29	1	2053101	NUT-PROP NYLOC
30	1	2092600	DRIVE PIN
31	1	2266507	BOWPLATE, FW, LONG
	1	2266502	BOWPLATE, FW, STD
32	1	2263905	BLACK MOTOR REST
33	6	2303430	SCREW 1/4-20 X 5/8
34	2	2265667	MOTOR REST DECAL, FW
■	1	2991717	MOUNT, ASSY LONG FW
	1	2991716	MOUNT, ASSY SHORT FW
35	1	2264372	LOWER ARM, FW, STD.
36	4	2266002	NYLINER 3/8" SHAFT
37	3	2260503	PIVOT PIN
40	1	2150405	PULL-GRIP
41	1	2151700	WASHER-EYE SHAFT .562 OD
■	1	2993812	LATCH STRAP ASSY, LONG
	1	2993811	LATCH STRAP ASSY, STD
42	1	2263607	LATCH STRAP, LONG
	1	2263605	LATCH STRAP, STD
43	2	2261902	LATCH BRACKET
44	4	2268602	RIVET 1/8" SS
45	1	2262709	SPRING-LATCH PIN
46	2	2260501	LATCH PIN
47	1	2261544	YOKE-TUBE
48	1	2264272	ARM-UPPER, LONG FW
	1	2264271	ARM-UPPER, SHORT FW
49	2	2263510	BOLT-SHOULDER, SS
50	1	2251601	ROPE- 44.5"
	1	2251603	ROPE- 48"
51	1	2263805	VELCRO STRAP

ITEM	QTY	PART NUMBER	DESCRIPTION
52	1	2267302	BUSHING -LOWER 7/16" ID, SS
53	1	2267303	BUSING - UPPER 3/8" ID, SS
54	1	2263505	BOLT 3/8-16 X 4.25"
55	1	2263114	NYLOCK JAM NUT 3/8-16
56	1	2261892	HING BADE, FW
57	1	2261897	HINGE DOOR, FW
58	1	2260905	SOFT GRIP HANDLE, L&D
59	1	2261728	RETAINING WASHER- 3/8"
60	2	2053415	SCREW #8-32 X 3/8" TRI
61	2	2261732	WASHER #8, NYLON
62	2	2264703	THREADED INSERT
■	1	2992015	TUBE W/BEARING RACE ASSEMBLY 18"
	1	2992012	TUBE W/BEARING RACE ASSEMBLY 21"
	1	2992016	TUBE W/BEARING RACE ASSEMBLY 24"
63	1	2272066	18" TUBE OUTER 4 HOLES
	1	2272069	21" TUBE OUTER 4 HOLES
	1	2272067	24" TUBE OUTER 4 HOLES
64	1	2266260	BEARING RACE
65	1	2266220	STEEL BEARING RACE
66	2	2266000	STEEL BEARING BALL
67	1	2266115	BEARING CONE
68	2	2261622	ALUMINUM HALF-COLLAR
69	2	2263453	SCREW - 1/4X20 X 1"
70	1	2260215	CONTROL BOX COVER
71	6	2372100	SCREW - 8-18 X 5/8 THD
72	1	2275611	DECAL-COVER, EDGE 45/FC
73	1	2260153	POINTER DISC SHORT YELLOW
73A	1	2261733	WASHER-FOAM, INDICATOR
74	1	2265800	DECAL-INDICATOR
75	3	2053414	SCREW-8-32 X 1/2 TRI LOBE
76	1	2267800	GEAR-INDICATOR
77	1	2372100	SCREW-8-18 X 5/8 THD
78	2	2375400	SHRINK TUBE-1/4OD X 1-3/4
79	2	2355410	SHRINK TUBE-3/8 OD X 2
80	1	2232360	PULLEY - CABLE DRUM
81	1	2261730	NYLON A/T WASHER
82	1	2996246	BEARING RACE/ PINION ASSEMBLY
84	2	2263410	SCREW - #8-32 X 5/16
85	1	2994496	FOOT PEDAL/PLUG ASSEMBLY
86	1	2283700	PUSH-BUTTON
87	1	2302732	LOWER PEDAL SPRING
88	1	2264040	MOMENTARY SWITCH
90	2	2262114	MOUNTING/SWITCH SCREW
91	2	2233100	SWITCH MOUNT NUT
92	1	2264026	SWITCH - 5 SPEED
93	1	2261701	LOCKWASHER-STAR
94	1	2263105	HEX NUT
95	1	2261715	SPACER-SWITCH 5 SP MODELS
96	1	2280110	SPEED CONTROL KNOB 5SPD
97	1	2263000	E-RING TRU-ARC
98	1	2260730	CONNECTOR 1/4 MALE TAB
99	1	2332103	SCREW - #6-20 X 3/8

ITEM	QTY	PART NUMBER	DESCRIPTION
100	1	2266413	TENSION SCREW PLATE FOOT PEDAL
103	1	2260511	PIN-PIVOT A/T FOOT PEDAL
104	1	2992104	FOOT PEDAL BASE/PIN ASSEMBLY SONAR
105	1	2262301	PULLEY-FOOT PEDAL
106	1	2266401	COVER-PULLEY STAMPING
107	4	2223430	SCREW-#8X 3/4
108	1	2254031	MOM/OFF/COM SWITCH
109	1	2266412	FOOT PEDAL SWITCH PLATE
110	2	2332103	SCREW - #6-20 X 3/8 THD
113	1	2261208	WIRE HARNESS, A/T FOOT PEDAL
114	1	2267505	RIGHT CABLE ASSEMBLY 5'
115	1	2267515	LEFT CABLE ASSEMBLY 5'
116	1	2265430	CABLE JACKET 5'
118	1	2265115	BOOT-FOOT PEDAL BASE
119	2	2372100	SCREW - #8-18 X 5/8 THD
120	2	2261714	FOOT PEDAL WASHER
121	1	2261901	CONDUIT BRACKET
122	2	2301310	SCREW - #8-18 X 3/4"
123	1	2263210	CONDUIT ADJUSTMENT BRACKET
124	1	2263140	NYLOCK KEEPER
125	1	2263466	SCREW - 1/4-20 X 2
126	1	2261235	LEADWIRE-BATTERY
127	2	2020700	TERMINAL RING, 3/8"
128	1	2256300	BLACK TIE WRAP-5.5"
129	3	2263201	CLAMP WIRE HARNESS MICRO
130	1	2332103	SCREW - #6-20 X 3/8 THD
131	1	2260301	CONNECTING WIRE SWITCH
132	1	2260312	WIRE - BLK W/SHT-19 1/2"
133	1	2260322	WIRE - BLK W/BBLUE -12"
134	1	2263205	LEADWIRE CLAMP
135	2	9953104	SCREW - #8 X 1/2" SS
136	1	2301310	SCREW - #8 - 18 X 1/2" SS
137	1	2262515	CONTROL BOX BOTTOM
139	2	2267800	INDICATOR GEAR
140	1	2262221	YELLOW DRIVE INDICATOR
141	1	2269105	BRACKET/INDICATOR
142	1	2223430	SCREW - #8X 3/4 PPH TYPE 25 SS
■	1	2994838	BAG ASSEMBLY
*143	6	2263462	SCREW 1/4-20X2 SS
*144	6	2261713	WASHER - 1/4 FLAT 18-18
*145	6	2263103	1/4-20 NYLOCK-JAM NUT
147	1	2262310	GUIDE ROPE
■	1	2883460	SEAL & O-RING KIT

■ THIS ITEM IS PART OF AN ASSEMBLY.

*THIS ITEM IS PART OF A KIT AND ONLY LISTED FOR VIEWING PURPOSES.

COMPLIANCE STATEMENTS

ENVIRONMENTAL COMPLIANCE STATEMENT:

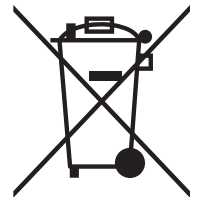
It is the intention of JOME to be a responsible corporate citizen, operating in compliance with known and applicable environmental regulations, and a good neighbor in the communities where we make or sell our products.

WEEE DIRECTIVE:

EU Directive 2002/96/EC "Waste of Electrical and Electronic Equipment Directive (WEEE)" impacts most distributors, sellers, and manufacturers of consumer electronics in the European Union. The WEEE Directive requires the producer of consumer electronics to take responsibility for the management of waste from their products to achieve environmentally responsible disposal during the product life cycle.

WEEE compliance may not be required in your location for electrical & electronic equipment (EEE), nor may it be required for EEE designed and intended as fixed or temporary installation in transportation vehicles such as automobiles, aircraft, and boats. In some European Union member states, these vehicles are considered outside of the scope of the Directive, and EEE for those applications can be considered excluded from the WEEE Directive requirement.

This symbol (WEEE wheelie bin) on product indicates the product must not be disposed of with other household refuse. It must be disposed of and collected for recycling and recovery of waste EEE. Johnson Outdoors Inc. will mark all EEE products in accordance with the WEEE Directive. It is our goal to comply in the collection, treatment, recovery, and environmentally sound disposal of those products; however, these requirements do vary within European Union member states. For more information about where you should dispose of your waste equipment for recycling and recovery and/or your European Union member state requirements, please contact your dealer or distributor from which your product was purchased.



DISPOSAL:

Minn Kota motors are not subject to the disposal regulations EAG-VO (electric devices directive) that implements the WEEE directive. Nevertheless never dispose of your Minn Kota motor in a garbage bin but at the proper place of collection of your local town council.

Never dispose of battery in a garbage bin. Comply with the disposal directions of the manufacturer or his representative and dispose of them at the proper place of collection of your local town council.

WARNING: This product contains chemicals known to the State of California to cause cancer and birth defects or other reproductive harm.

RECOMMENDED ACCESSORIES

ON-BOARD & PORTABLE BATTERY CHARGERS

Stop buying new batteries and start taking care of the ones you've got. Many chargers can actually damage your battery over time – creating shorter run times and shorter overall life. Digitally controlled Minn Kota chargers are designed to provide the fastest charge that protect and extend battery life.



MK345PC



MK212D



MK105P

TALON SHALLOW WATER ANCHOR

Talon deploys faster, holds stronger and runs quieter than any other shallow water anchor. Available in depths up to 12' and bold color options, it boasts an arsenal of features and innovations that no other anchor can touch:



- Vertical, multi-stage deployment
- User-Selectable Anchoring Modes
- 2x Anchoring Force
- Fast Deploy
- Auto Up/Down
- Triple Debris shields*
- Built-In Wave Absorption
- Noise Dissipation
- Versatile Adjustments

*available on 10' and 12' models only

MINN KOTA ACCESSORIES

We offer a wide variety of trolling motor accessories, including:



- 60-Amp Circuit Breaker
- Mounting Brackets
- Stabilizer Kits
- Extension Handles
- Battery Connectors
- Battery Boxes
- Quick Connect Plugs

Learn more about boat motors we have.