

TALON BMS SIDE SHIM KIT 1810212

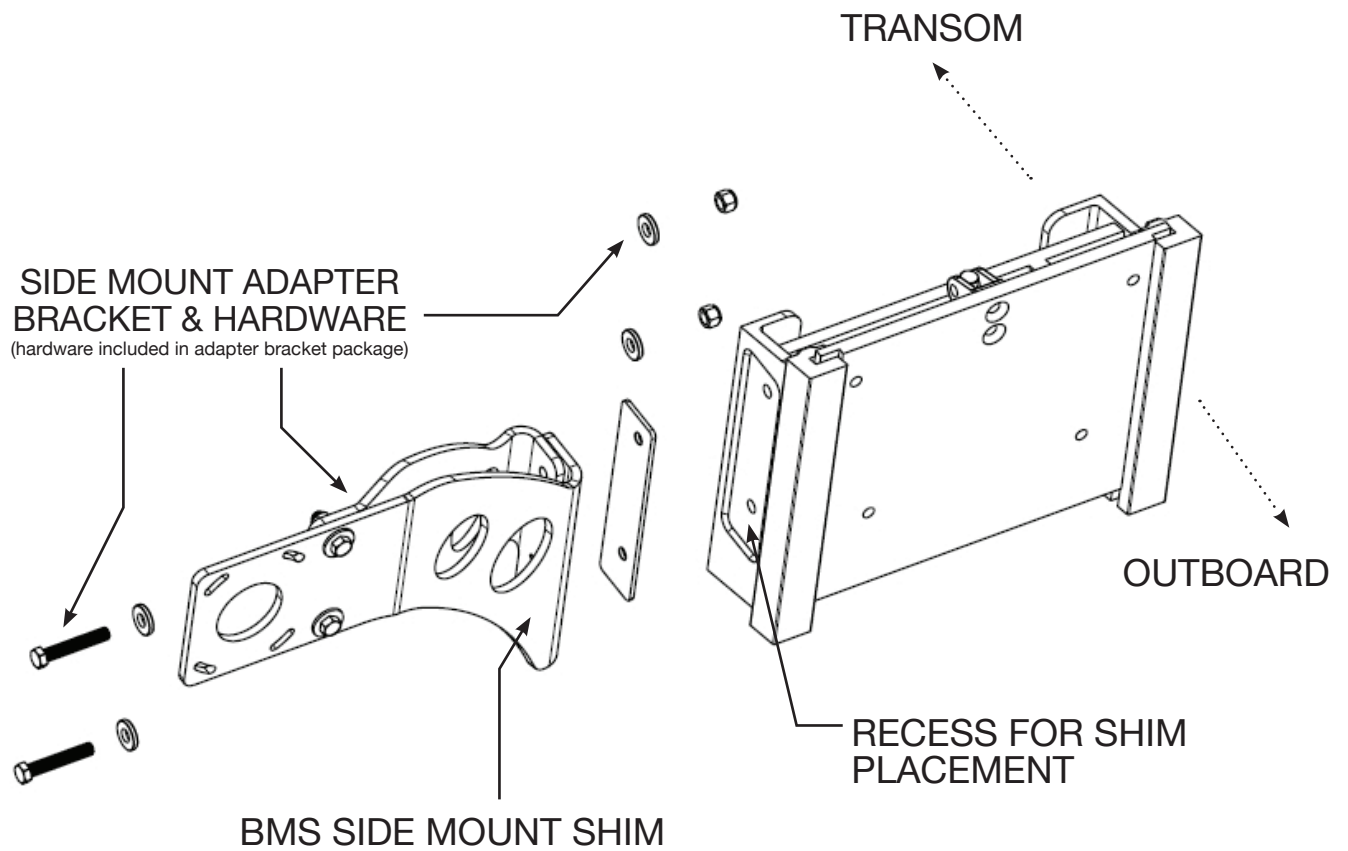
THE BMS SIDE SHIM KIT ONLY NEEDS TO BE USED WHEN RIGGING A SIDE MOUNT TALON ADAPTER BRACKET ON THE SIDE OF A BOBS MACHINE SHOP HYDRAULIC JACKPLATE.

THE BMS SIDE SHIM KIT FILLS IN THE RECESS ON THE SIDE OF A BOBS MACHINE SHOP JACKPLATE - USUALLY WHERE THE DECAL IS PLACED - AND IS DESIGNED TO BE USED WITH A MINN KOTA JACK PLATE SIDE MOUNTED TALON ADAPTER BRACKET.

INSTALLATION: TALON BMS SIDE SHIM ON BOBS MACHINE SHOP HYDRAULIC JACK PLATE

WARNING: DRILLING INTO THE SIDE OF A BOBS MACHINE SHOP JACK PLATE MAY VOID YOUR WARRANTY. MINN KOTA IS NOT RESPONSIBLE FOR DAMAGES THAT MAY RESULT. CONTACT YOUR JACK PLATE DEALER BEFORE DRILLING.

1. PLACE THE BMS SIDE SHIM INTO THE RECESS ON THE SIDE OF THE JACK PLATE YOU INTEND TO MOUNT YOUR TALON TO.
2. THE HOLES IN THE SHIM ARE NOT CENTERED. THE SHIM MUST BE PLACED SO THAT THE HOLES ARE ORIENTED UP AND AWAY FROM THE BOAT WHEN MARKING WHERE TO DRILL.
3. BEFORE DRILLING, BE SURE THERE ARE NO ELECTRICAL OR HYDRAULIC LINES, OR OTHER OBSTACLES THAT COULD GET DAMAGED FROM DRILLING.
4. ONCE THE HOLES ARE MARKED, CENTER PUNCH, AND DRILL (2) 9/16" HOLES IN THE MARKED LOCATION THRU THE SIDE OF THE JACK PLATE.
5. PLACE THE SHIM INTO THE RECESS AND INSTALL YOUR TALON JACK PLATE SIDE MOUNT ADAPTER BRACKET ON TOP OF THE SHIM, RUNNING THE BOLTS THRU THE ALIGNED HOLES YOU JUST DRILLED, AND FOLLOW THE REST OF THE INSTALLATION INSTRUCTIONS FOR THE ADAPTER BRACKET.



MOUNTING EXAMPLE: 6" SETBACK, PORT, JACK PLATE MOUNTED ADAPTER BRACKET ON BOBS MACHINE SHOP JACK PLATE USING SIDE MOUNT SHIM.