

TALON 6" SETBACK BRACKET

1810220

THE SETBACK BRACKET PROVIDES 6" OF ADDITIONAL SETBACK FOR DIRECT TRANSOM MOUNT APPLICATIONS REQUIRING ADDITIONAL TRANSOM CLEARANCE FOR OTHER ACCESSORIES LIKE TRIM TABS, LADDERS, ETC.

NOTE: THE SETBACK BRACKET SHOULD ONLY BE USED ON DIRECT MOUNT APPLICATIONS. USING A SETBACK BRACKET ALONG WITH ANY ADAPTER BRACKET IS NOT RECOMMENDED AND WILL VOID YOUR ADAPTER BRACKET WARRANTY.

INSTALLATION WITH TALON ALREADY INSTALLED

1. Disconnect power to the Talon and remove from mounting bracket by **loosening** the (4) 5/16" retaining nylock nuts on the sides of the bracket. Lift the Talon up out of the bracket and set on the deck of the boat, making sure there is enough slack in the power cord to do so. The power cord doesn't have to be pulled thru the transom to complete the installation.
2. Remove the (4) 5/16" x 3-1/2" mounting bolts that attached the Talon mounting bracket to the transom.
See Diagram 1.
NOTE: This hardware will be re-used to attach the 6" setback bracket to the transom in Step 4.
3. Install the 6" setback bracket to the transom using the 5/16" x 3.5" long bolts that were removed in Step 2. Apply a 1/8" bead of 3M 5200 marine silicon (not included) around the mounting holes before installing the 6" setback bracket. Once the bracket is positioned, tighten the mounting hardware.
4. Attach the Talon mounting bracket to the 6" setback bracket using the 5/16" hardware that came with the 6" setback bracket. Once the bracket is positioned, tighten the mounting hardware.
5. Slide the Talon down onto the mounting bracket and tighten the (4) 5/16" retaining nylock nuts.
6. Re-connect the Talon power cord to the battery.

INSTALLATION WITHOUT TALON INSTALLED (NEW INSTALL)

1. Position the Talon mounting bracket against the transom and mark the (4) holes to be drilled. Refer to pages 5-10 in the Talon Installation Guide for clearance requirements before drilling any holes through the transom.
2. Drill the (4) holes with a 5/16" drill bit making sure to check for any obstructions behind the transom before drilling.
3. Install the 6" setback bracket to the transom using the 3.5" long, 5/16" bolts that were part of the Talon hardware kit (came with Talon). We recommend applying an 1/8" bead of 3M 5200 marine silicon (not included) around the mounting holes before installing the 6" setback bracket. Once the bracket is positioned, tighten the mounting hardware.
See Diagram 1.
4. Attach the Talon mounting bracket to the 6" setback bracket using the 5/16" hardware that came with the 6" setback bracket. Once the bracket is positioned, tighten the mounting hardware.
5. Slide the Talon down onto the mounting bracket and tighten the (4) 5/16" retaining nylock nuts.
6. Re-connect the Talon power cord to the battery.

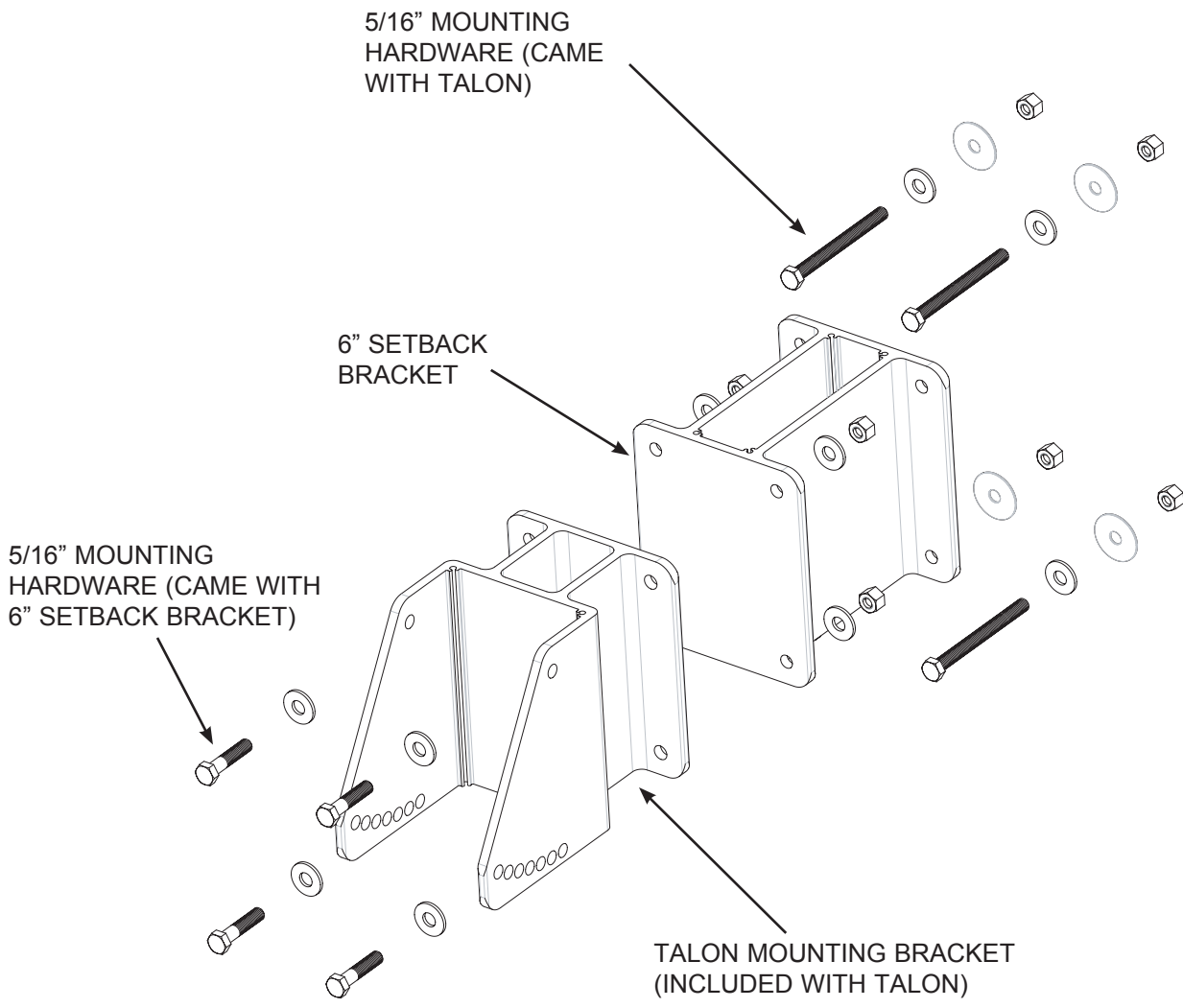


DIAGRAM 1