

TALON TILT BRACKET

FOR USE WITH 8', 10' AND 12' TALONS

USER MANUAL

THANK YOU

Thank you for choosing Minn Kota. We believe that you should spend more time fishing and less time positioning your boat. That's why we build the smartest, toughest, most intuitive marine products on the water. Every aspect of a Minn Kota product is thought out and rethought until it's good enough to bear our name. Countless hours of research and testing provide you the advantages of a Minn Kota product that can truly take you "Anywhere. Anytime." We don't believe in shortcuts. We are Minn Kota. And we are never done helping you catch more fish.

NOTE: Do not return your Minn Kota product to your retailer. Your retailer is not authorized to repair or replace this unit. Please include proof of purchase, serial number and purchase date for warranty service with any of the above options.

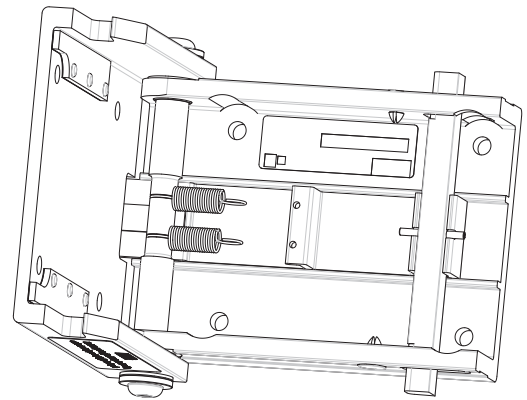
Please thoroughly read this user manual. Follow all instructions and heed all safety and cautionary notices below. Use of this motor is only permitted for persons that have read and understood these user instructions. Minors may use this motor only under adult supervision.

LOCATING YOUR SERIAL NUMBER

Your Minn Kota 11-character serial number is very important. It helps to determine the specific model and year of manufacture. When contacting Consumer Service or registering your product, you will need to know your product's serial number. We recommend that you write the serial number down in the space provided below so that you have it available for future reference.

Serial number formats may include MKAD1234567 or J123MK12345

The serial number on your Tilt Bracket is located on the inside of the bracket, near the latch pin.



Model: _____

Serial Number: _____

Purchase Date: _____

Store Where Purchased: _____

TABLE OF CONTENTS

Five-Year Warranty	3
Introduction	4
Parts Diagram	5
Installation	6-8
Mounting the Tilt Bracket	6
Adjustable Deck Support Installation	7-8
Environmental Compliance Statement	9

FIVE YEAR WARRANTY

WARRANTY ON MINN KOTA TALON TILT BRACKET

MINN KOTA LIMITED FIVE-YEAR WARRANTY

Johnson Outdoors Marine Electronics, Inc. warrants to the original purchaser that the purchaser's entire Talon Tilt Bracket is free from defects in materials and workmanship appearing within five (5) years after the date of purchase. Johnson Outdoors Marine Electronics, Inc. will (at its option) either repair or replace free of charge, any parts found to be defective during the term of this warranty. Such repair or replacement shall be the sole and exclusive liability of Johnson Outdoors Marine Electronics, Inc. and the sole and exclusive remedy of the purchaser for breach of this warranty.

TERMS AND CONDITIONS

These limited warranties do not apply to products used commercially, nor do they cover normal wear and tear, blemishes that do not affect the operation of the product, or damage caused by accidents, abuse, alteration, modification, misuse or improper care or maintenance. **DAMAGE CAUSED BY THE USE OF OTHER REPLACEMENT PARTS NOT MEETING THE DESIGN SPECIFICATIONS OF THE ORIGINAL PARTS WILL NOT BE COVERED BY THIS LIMITED WARRANTY.** The cost of normal maintenance or replacement parts which are not defective are the responsibility of the purchaser.

MINN KOTA SERVICE INFORMATION

To obtain warranty service in the U.S., the product believed to be defective, and proof of original purchase (including the date of purchase), must be presented to a Minn Kota Authorized Service Center or to Minn Kota's factory service center in Mankato, MN. Any charges incurred for service calls, transportation or shipping/freight to/from the Minn Kota Authorized Service Center or factory, labor to haul out, remove, re-install or re-rig products removed for warranty service, or any other similar items are the sole and exclusive responsibility of the purchaser. Products purchased outside of the U.S. must be returned prepaid with proof of purchase (including the date of purchase and serial number) to any Authorized Minn Kota Service Center in the country of purchase.

THERE ARE NO EXPRESS WARRANTIES OTHER THAN THESE LIMITED WARRANTIES. IN NO EVENT SHALL ANY IMPLIED WARRANTIES (EXCEPT ON THE COMPOSITE SHAFT), INCLUDING ANY IMPLIED WARRANTIES OF MERCHANTABILITY OR FITNESS FOR PARTICULAR PURPOSE, EXTEND BEYOND TWO YEARS FROM THE DATE OF PURCHASE. IN NO EVENT SHALL JOHNSON OUTDOORS MARINE ELECTRONICS, INC. BE LIABLE FOR INCIDENTAL, CONSEQUENTIAL OR SPECIAL DAMAGES.

Some states do not allow limitations on how long an implied warranty lasts or the exclusion or limitation of incidental or consequential damages, so the above limitations and/or exclusions may not apply to you. This warranty gives you specific legal rights and you may also have other legal rights which vary from state to state.

INTRODUCTION

Your new Talon Tilt Bracket is designed to allow easy tilting when needed. These conditions include low hanging obstacles or backing in and out of low overhead clearances. The tilt feature may also be used to extend your Talon for easy cleaning purposes.



WARNING:

TALON TILT BRACKET IS NOT DESIGNED TO BE USED IN THE TILTED (DOWN) POSITION WHILE TRAILERING, OR WHILE UNDER WAY ON THE WATER. ANY ATTEMPT TO USE THIS PRODUCT IN SUCH A FASHION COULD RESULT IN PROPERTY DAMAGE OR PERSONAL INJURY, AND WILL VOID THE WARRANTY. JOHNSON OUTDOORS WILL NOT BE HELD RESPONSIBLE FOR SUCH DAMAGE OR INJURY RESULTING FROM MISUSE OF THIS PRODUCT.

NOTE:

TALON TILT BRACKET CAN ONLY BE INSTALLED WITH THE USE OF A TALON ADAPTER BRACKET (JACK-PLATE, OR SANDWICH STYLE) TO INSURE PROPER CLEARANCES FROM THE TOP CAP OF THE BOAT. DIRECT TRANSOM MOUNT APPLICATIONS WILL NOT HAVE PROPER CLEARANCE.

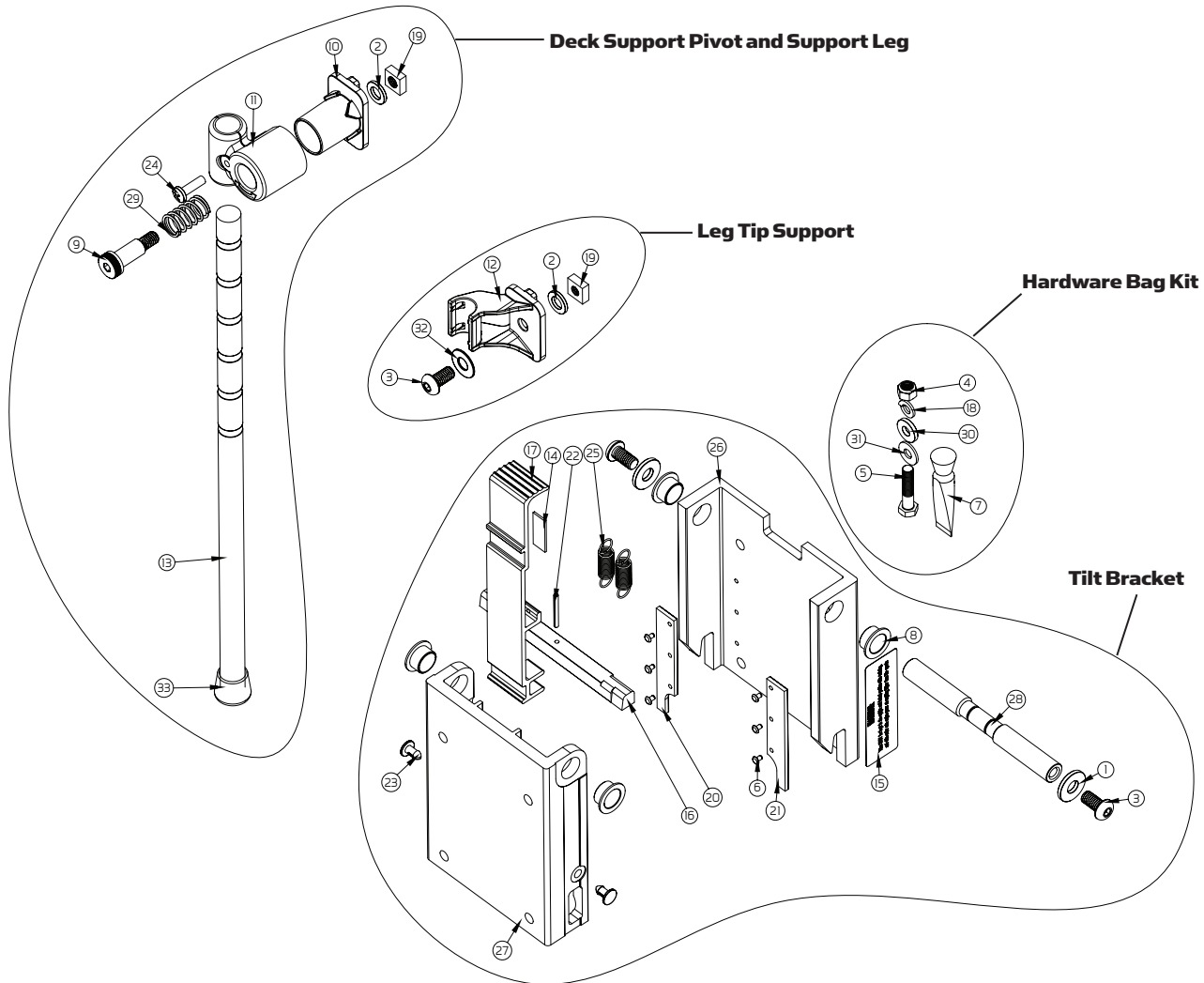
PARTS DIAGRAM

TALON TILT BRACKET

FOR 8', 10' AND 12' TALON MODELS

This page provides Minn Kota® WEEE compliance disassembly instructions. For more information about where you should dispose of your waste equipment for recycling and recovery and/or your European Union member state requirements, please contact your dealer or distributor from which your product was purchased.

Tools required, but not limited to: flat head screw driver, Phillips screw driver, socket set, pliers, wire cutters.



ITEM	QTY	PART NUMBER	DESCRIPTION
1	2	2371759	3/8 HD FENDER WASHER, SS
2	2	2371758	3/8 HD FLAT WASHER, SS
3	3	2383443	3/8-16 X .75" BHCS, SS
4	8	2223100	NUT, 5/16-18 NYLOCK, SS
5	8	2373521	5/16-18 X 1 1/2 HHCS
6	6	2378601	POP RIVET, 1/8", SS
7	1	2378608	ANTI SEIZE TUBE, 4CC
8	4	2370007	BEARING-SLEEVE,.625 X .375
9	1	2373531	BOLT-SHOULDER, STABILIZER
10	1	2372355	CRUTCH, INNER PIVOT
11	1	2372346	CRUTCH, OUTER PIVOT MACHINED
12	1	2372360	CRUTCH, SUPPORT
13	1	2992341	CRUTCH, TILT BRACKET ASSEMBLY
14	1	2375417	INSULATOR, TILT BRACKET
15	1	2375769	LABEL, WARNING, TALON TILT BRACKET
16	1	2372671	LATCH PIN, WEDGED,TALON TILT BRACKET
17	1	2377218	LEVER, TILT MACHINED
18	8	2371756	LOCK WASHER, 5/16" - SS

ITEM	QTY	PART NUMBER	DESCRIPTION
19	2	2373131	NUT, SQUARE 3/8-16, SS
20	1	2375119	PAD-WEAR, TALON TILT BRKT LEFT
21	1	2375114	PAD-WEAR, TALON TILT BRKT RIGHT
22	1	2372654	PIN, SPRING - 1/8" X 1 1/4 SS
23	2	2376730	PLUG-SPACER,TALON TILT BRK
24	1	2073408	SCREW-1/4-20 X 7/8 PPH 5/5
25	2	2372744	SPRING, LATCH, TILT BRACKET
26	1	2371941	TILT BASE, MACHINED
27	1	2370237	TILT COVER, MACHINED
28	1	2372667	TILT PIVOT PIN
29	1	2372747	SPRING, TALON STABILIZER
30	8	2371746	WASHER .75 X .3125, SS
31	8	2261722	WASHER-FLAT 5/16 S/5
32	1	2091701	WASHER, PROP
33	1	2265100	BUMPER
■		2770237	TILT BRACKET ASSEMBLY W/ HARDWARE KIT
■		2994910	HARDWARE KIT
■		2992345	DECK SUPPORT PIVOT & LEG W/ LEG TIP SUPPORT

INSTALLATION

TOOLS REQUIRED FOR INSTALLATION

- 1 – 1/4" Allen Wrench
- 1 – 7/32" Allen Wrench
- 1 – 1/2" Box End Wrench
- 1 – 9/16" Box End Wrench
- 1 – 1/2" Deep Well Socket
- 1 - #2 Phillips Screwdriver

MOUNTING THE TILT BRACKET

ATTENTION:

- **BE SURE TO USE ANTI-SEIZE ON ALL HARDWARE DURING INSTALLATION**
- **DISCONNECT POWER TO YOUR TALON PRIOR TO INSTALLATION**

1. If Talon is already mounted to your adapter bracket, you will need to disconnect power and remove the Talon with the quick release bracket from the adapter bracket before proceeding. **DO NOT REUSE THE OLD HARDWARE.**

Tip: To remove Talon from the quick release bracket, loosen the 4 nylock nuts that hold the Talon in place, and slide the Talon up and out of the quick release bracket before unbolting the quick release bracket.

2. Using the 5/16" hardware included, attach the Tilt Bracket with the latch lever facing inboard as shown in illustration 1 and 2.

3. Using the new 5/16" hardware provided, reattach the Talon quick release bracket to the Tilt Bracket as shown.

Verify that all mounting hardware is tightened and secure.

Tip: Take note of the orientation of the mounting hardware. The heads of the bolts must be installed to the inside of the Tilt Bracket. The heavy-duty washers provided must be used on the outside of the tilt bracket as shown in Illustration 2.

4. Reinstall Talon into the quick release bracket and tighten all hardware.

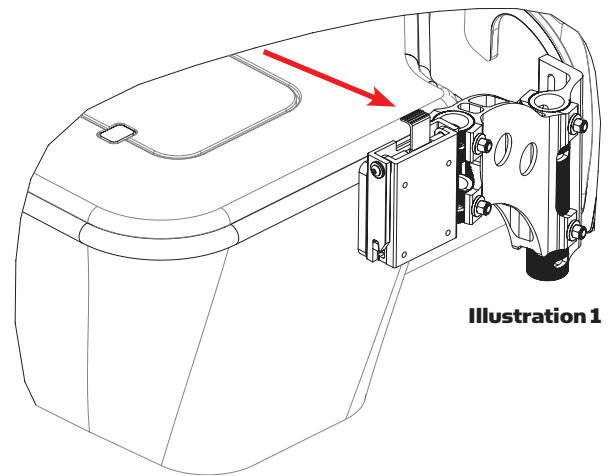
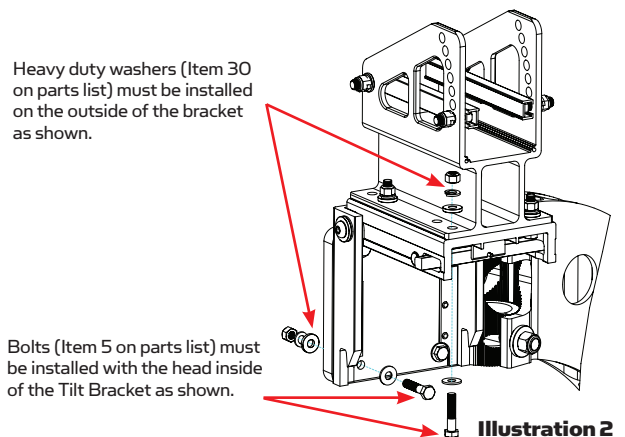


Illustration 1



Heavy duty washers (Item 30 on parts list) must be installed on the outside of the bracket as shown.

Bolts (Item 5 on parts list) must be installed with the head inside of the Tilt Bracket as shown.

Illustration 2

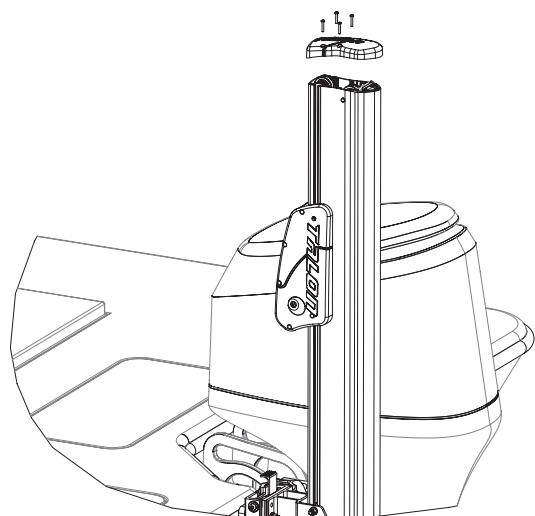


Illustration 3

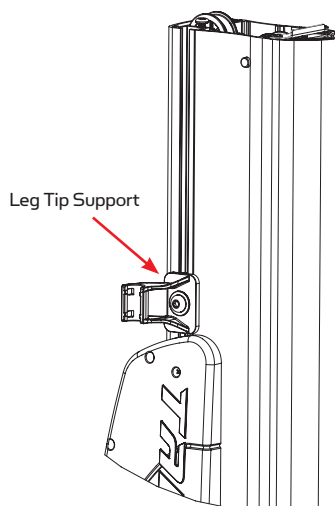


Illustration 4

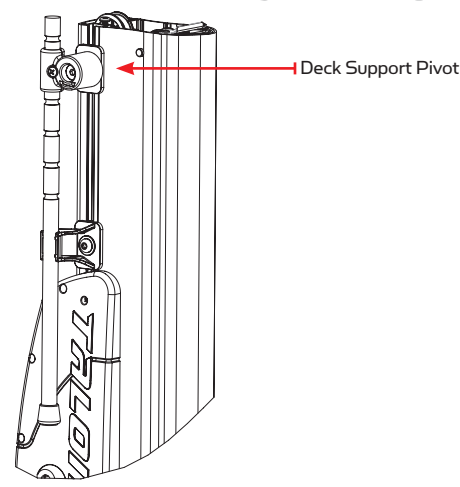


Illustration 5

ADJUSTABLE DECK SUPPORT INSTALLATION

1. Remove the top cover from the Talon using a #2 Phillips screw driver as seen in Illustration 3 above. There are a total of 4 screws holding the cover in place.
2. Install the leg tip support on the port (left) side of the Talon by loosening the square nut until it is flush with the end of the screw. Slide the support into the channel making sure the washer is on the outside of Talon and the square nut is on the inside of the slot. Position the leg tip support against the top edge of the motor cover for now. The final position of this support will be determined later. **NOTE:** The adjustable deck support can only be mounted on the port (left) side of Talon as in Illustration 4 above.
3. Install the deck support pivot by loosening the square nut until it is flush with the end of the shoulder bolt threads. Slide the support into the side channel of Talon making sure the washer is on the outside of Talon and the square nut is on the inside of the slot. The installed deck support pivot will already have the support leg installed and should look similar to Illustration 5 above when installed. Do not completely tighten any of the fasteners at this step.
4. Now reinstall the Talon cover that was removed in step 1. Tighten all four screws securely.
5. Loosen the support leg locking screw until the support leg moves freely as shown in Illustration 6 below.
6. In the next few steps we will be adjusting the position and length of the support leg. In order to determine the best position for the support leg release the Talon Tilt Bracket by pressing on the release lever as pointed out in Illustration 7 to the right.
7. Pull out on the deck support pivot first and then rotate 90 degrees as seen in Illustration 8 to the right. The pivot will lock into its "in use" position.

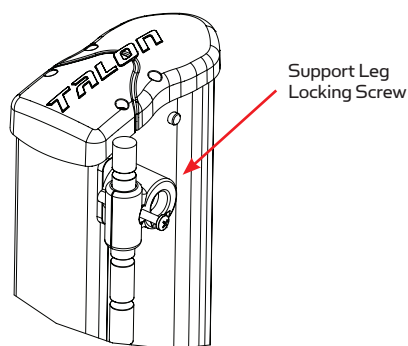


Illustration 6

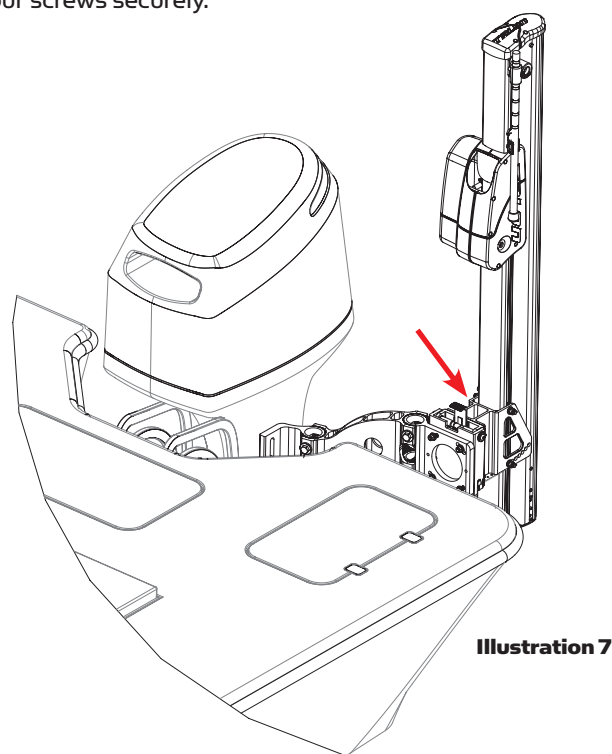


Illustration 7

8. Pivot Talon down and:

- a. Position the support leg pivot along the length of Talon in the best location for your boat (see dimension “a” on illustration below). Tighten the support leg pivot into place using the 1/4” Allen wrench.
- b. Adjust the leg length to one of the machined slot locations that works best and retighten the locking screw that was loosened in step 5 (see dimension “b” on Illustration 9 below).

9. Adjust the leg tip support position according to your adjusted leg support length, so that the end of the leg will rest in the cradle. Tighten the leg tip support using a 7/32” Allen wrench.

10. Tilt Talon up to normal operating position and verify that the tilt bracket locks.

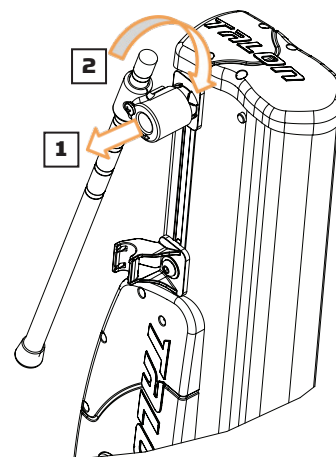


Illustration 8

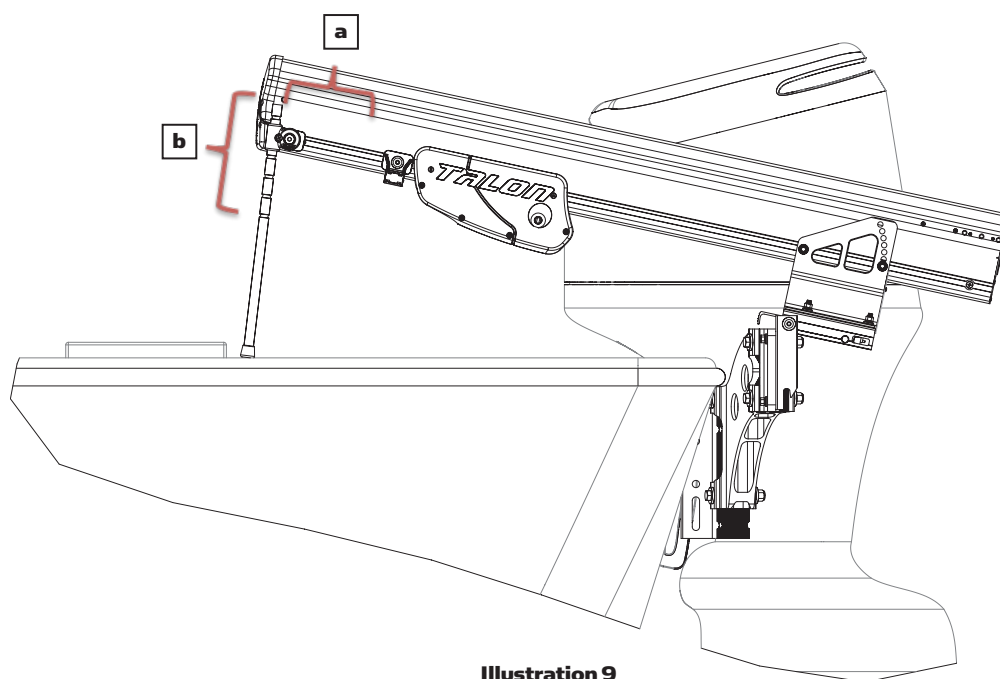


Illustration 9

11. Next, pull out and pivot the deck support back to its stowed position into the leg tip support.

12. After final adjustments to the length of the support leg, any extra length can be cut off just above the deck support pivot (as seen in Illustration 10) using a standard hand saw.

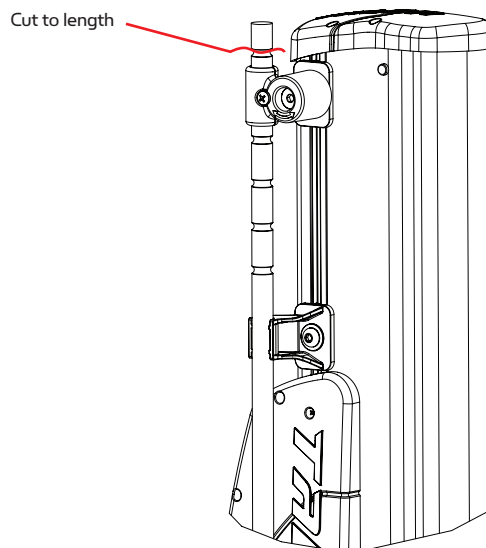


Illustration 10

COMPLIANCE STATEMENTS

ENVIRONMENTAL COMPLIANCE STATEMENT:

It is the intention of JOME to be a responsible corporate citizen, operating in compliance with known and applicable environmental regulations, and a good neighbor in the communities where we make or sell our products.

WEEE DIRECTIVE:

EU Directive 2002/96/EC “Waste of Electrical and Electronic Equipment Directive (WEEE)” impacts most distributors, sellers, and manufacturers of consumer electronics in the European Union. The WEEE Directive requires the producer of consumer electronics to take responsibility for the management of waste from their products to achieve environmentally responsible disposal during the product life cycle.

WEEE compliance may not be required in your location for electrical & electronic equipment (EEE), nor may it be required for EEE designed and intended as fixed or temporary installation in transportation vehicles such as automobiles, aircraft, and boats. In some European Union member states, these vehicles are considered outside of the scope of the Directive, and EEE for those applications can be considered excluded from the WEEE Directive requirement.

This symbol (WEEE wheelee bin) on product indicates the product must not be disposed of with other household refuse. It must be disposed of and collected for recycling and recovery of waste EEE. Johnson Outdoors Inc. will mark all EEE products in accordance with the WEEE Directive. It is our goal to comply in the collection, treatment, recovery, and environmentally sound disposal of those products; however, these requirement do vary within European Union member states. For more information about where you should dispose of your waste equipment for recycling and recovery and/or your European Union member state requirements, please contact your dealer or distributor from which your product was purchased.



DISPOSAL:

Minn Kota motors are not subject to the disposal regulations EAG-VO (electric devices directive) that implements the WEEE directive. Nevertheless never dispose of your Minn Kota motor in a garbage bin but at the proper place of collection of your local town council.

Never dispose of battery in a garbage bin. Comply with the disposal directions of the manufacturer or his representative and dispose of them at the proper place of collection of your local town council.

WARNING: This product contains chemicals known to the State of California to cause cancer and birth defects or other reproductive harm.

RECOMMENDED ACCESSORIES



TALON FOOT SWITCH

This simple wireless switch lets you easily raise and lower the spike. Control up to two Talons – independently or simultaneously – from the waterproof switch, which uses an LED display and features an easy-access battery compartment.



QUICK DISCONNECT PLUG (1810244)

The Talon Quick Disconnect Plug works well with the Quick Release Handles accessory for those who want to be able to easily remove and replace Talon for storage or security.



QUICK RELEASE HANDLE KIT

Easily remove Talon from your boat when not in use for safe storage with these stainless steel handles. It lets you vertically adjust or remove Talon without any tools.



TALON COVER

While trailering, protect your Talon with this durable, UV-resistant black vinyl cover. Features an all-weather, corrosion-resistant zipper and is designed for use with the Talon Tilt Bracket accessory.



SECURITY LOCK KIT/ADAPTER BRACKET LOCK

These custom stainless steel locks protect Talon from theft or tampering, and can only be opened with the included unique cut key. Adapter brackets mounted to the jack plate require the use of both sets of accessory locks.



©2015 Johnson Outdoors Marine Electronics, Inc.