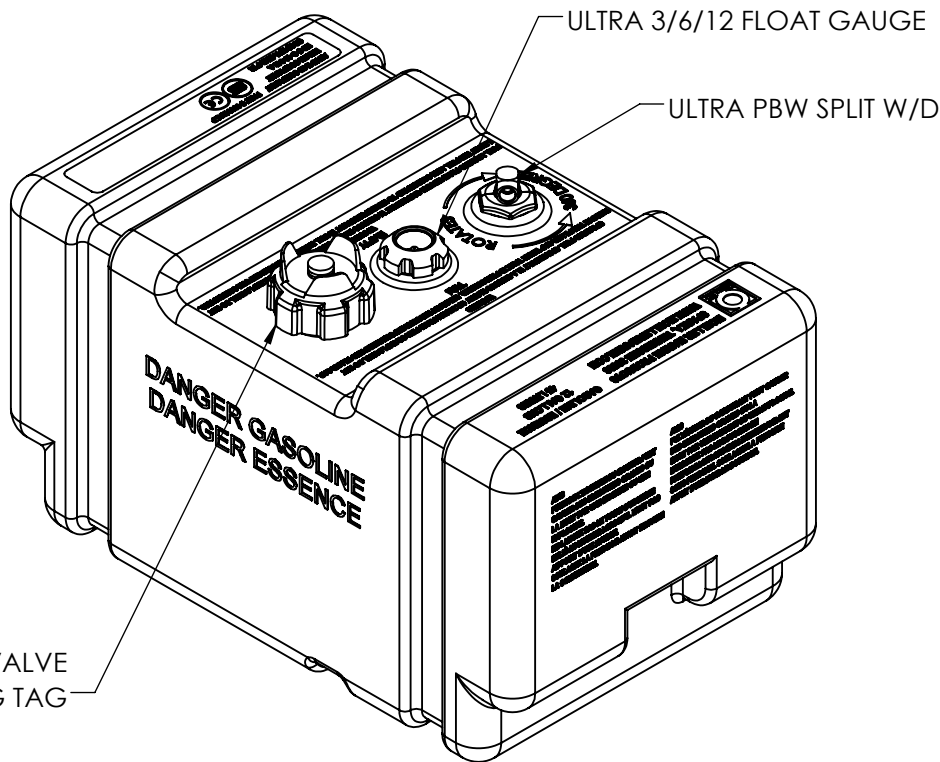


FUEL TANK INSTALLATION MUST ALLOW 3% GROWTH IN ALL DIRECTIONS. ANY DESIGNS NOT COMPLIANT WITH ABYC STANDARDS OR ARE CONSIDERED "GREY AREA" UNDER THESE STANDARDS WILL BE NOTED HERE IN. THIS PRINT AND ANY ATTACHED ARE PREPARED FOR CUSTOMER APPROVAL, PERFORMING THIS ACTION RELIEVES MOELLER MARINE PRODUCTS OF LIABILITY ASSOCIATED WITH TANK DESIGN.

REVISIONS			
REV.	DESCRIPTION	DATE	DRAFTER

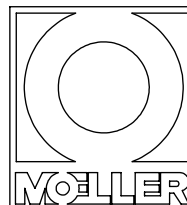


KELCH CAP ELASTOMER VALVE
W/ HANG TAG

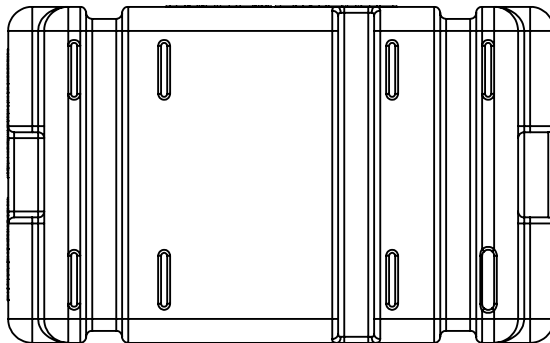
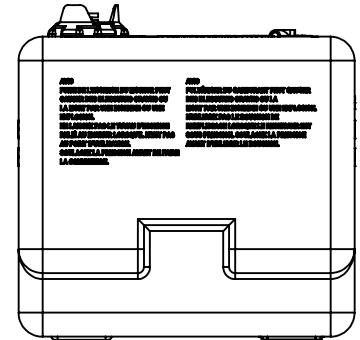
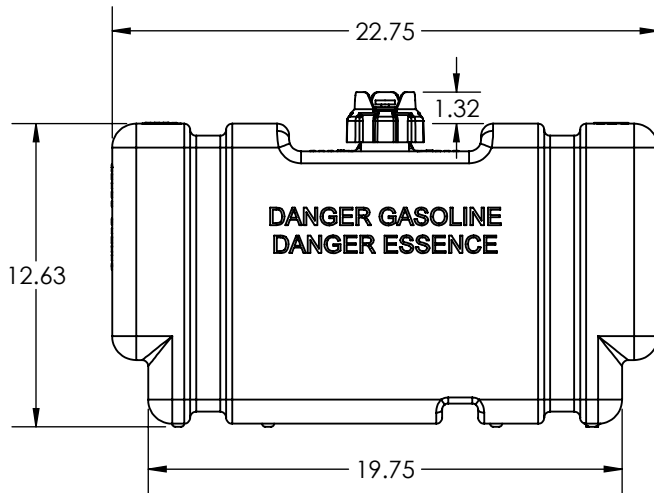
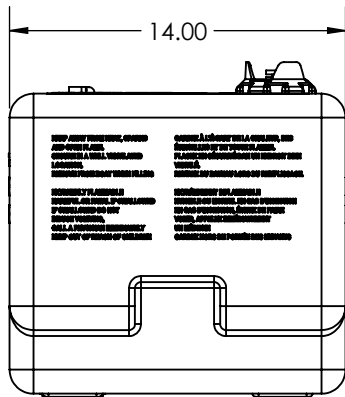
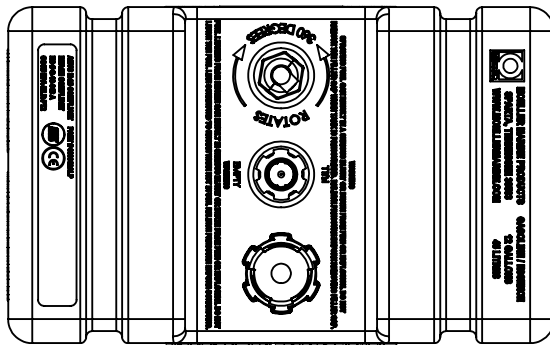
PAGE 1 OF 2

DRAFT ON ALL EXTERIOR SURFACES AS NEEDED

THIS DRAWING AND THE ATTACHED DRAWINGS (AND THE DATA SHOWN THERON) IS CONFIDENTIAL AND PROPRIETARY AND SHALL NOT BE USED, DISCLOSED TO OTHERS, REPRODUCED FOR ANY PURPOSE EXCEPT FOR QUOTATION TO OR ORDER BY MOELLER MARINE PRODUCTS, INC. AND/OR IT'S SUBSIDIARIES WITHOUT THEIR WRITTEN CONSENT TO THE USE OF SUCH DRAWINGS AND/OR DATA.



DESCRIPTION	ULTRA PBW 12GAL PRIBL TANK ASM		
PART #	630012LP	COLOR	RED
MATERIAL	HDPE / HYPERIOR		
TOLERANCES	±1.5 % UNLESS OTHERWISE NOTED		
WALL THK.	0.065" MIN.	DATE	11/5/2015
DRAWN BY	MOELLER ENGINEERING		



TOP VIEW
630012LP
11/5/2015
PAGE 2