

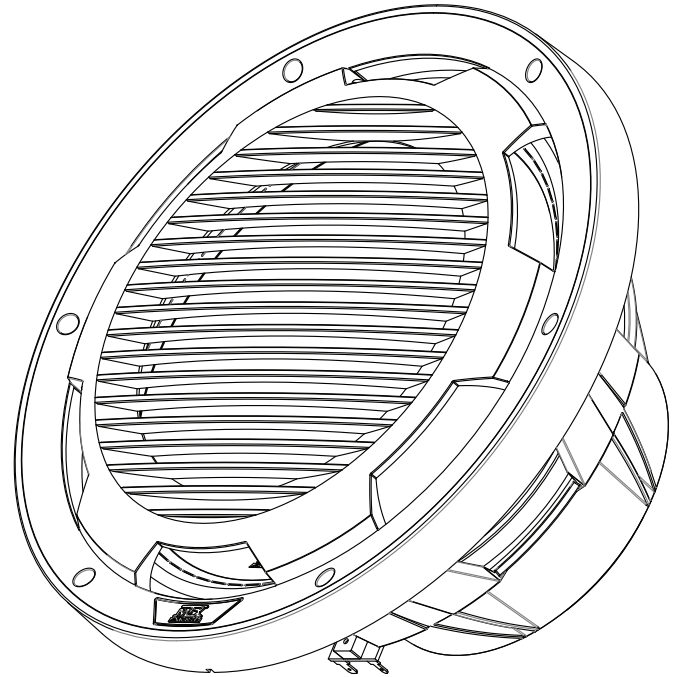


# WET124-W

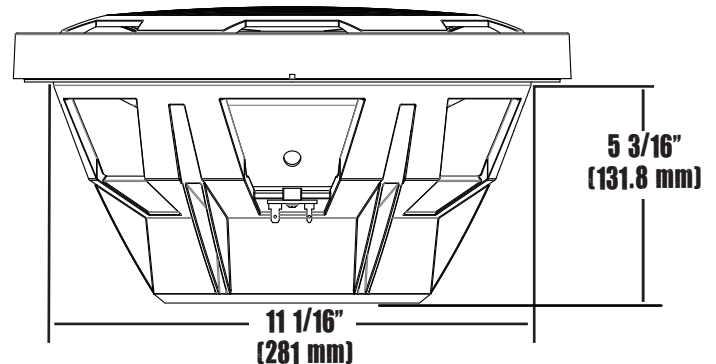
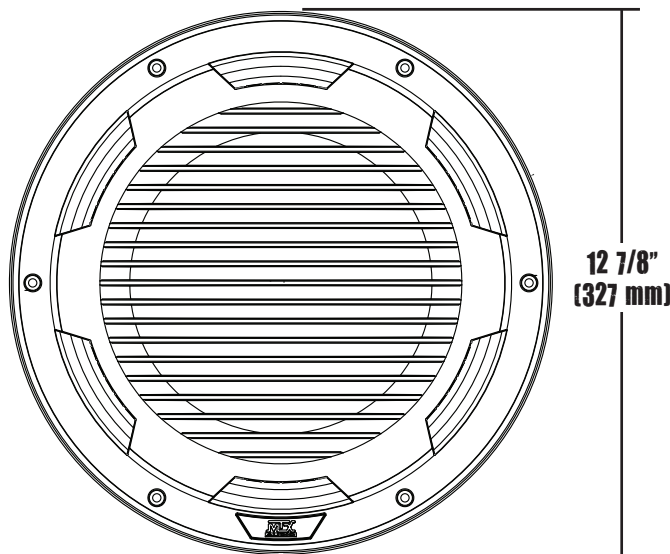
## 500W Peak Power Subwoofer

### Parameters

Fs: 32 Hz  
Qms: 3.978  
Cms: 0.139 mm/N  
Mms: 185 g  
Rms: 9.184 kg/s  
Vas: 2.022 ft<sup>3</sup> (57.26 liters)  
Xmax: .32 in (8.12 mm)  
D: 10.31 in (261.9 mm)  
Sd: 87.44 in<sup>2</sup> (539 cm<sup>2</sup>)  
Vd: 26.67 in<sup>3</sup> (0.437 liters)  
Qes: 0.762  
Re: 3.3 ohms  
Bl: 12.56 Tm  
Prms: 250 Watts  
Qts: 0.64  
n<sub>0</sub>: 0.237%  
SPL<sub>0</sub>: 86.5 dB  
SPL 2.83V/1m: 89.9 dB



### Specifications

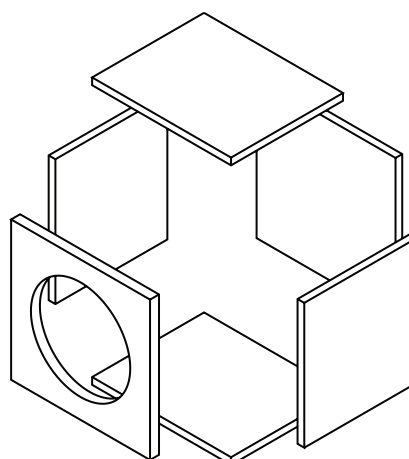
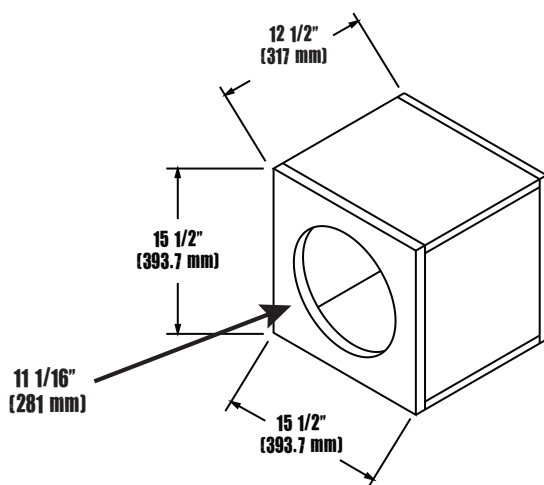


**Recommended Power Rating of 125 - 250 Watts RMS**

# WET124-W Recommended Enclosures

For the best possible sound quality using MTX marine grade subwoofers, MTX recommends using a sealed enclosure. The WET104-W/WET124-W subwoofers can also be used in an infinite baffle application where the subwoofer will use the vehicle, usually a boat, as the enclosure so there is no need to construct an enclosure. All recommended enclosures have been designed and thoroughly tested by MTX.

## Sealed Enclosure



**Net Internal Volume: 1.00 ft<sup>3</sup>**  
**Recommended Box Volumes: 1.00 - 1.75 ft<sup>3</sup>**