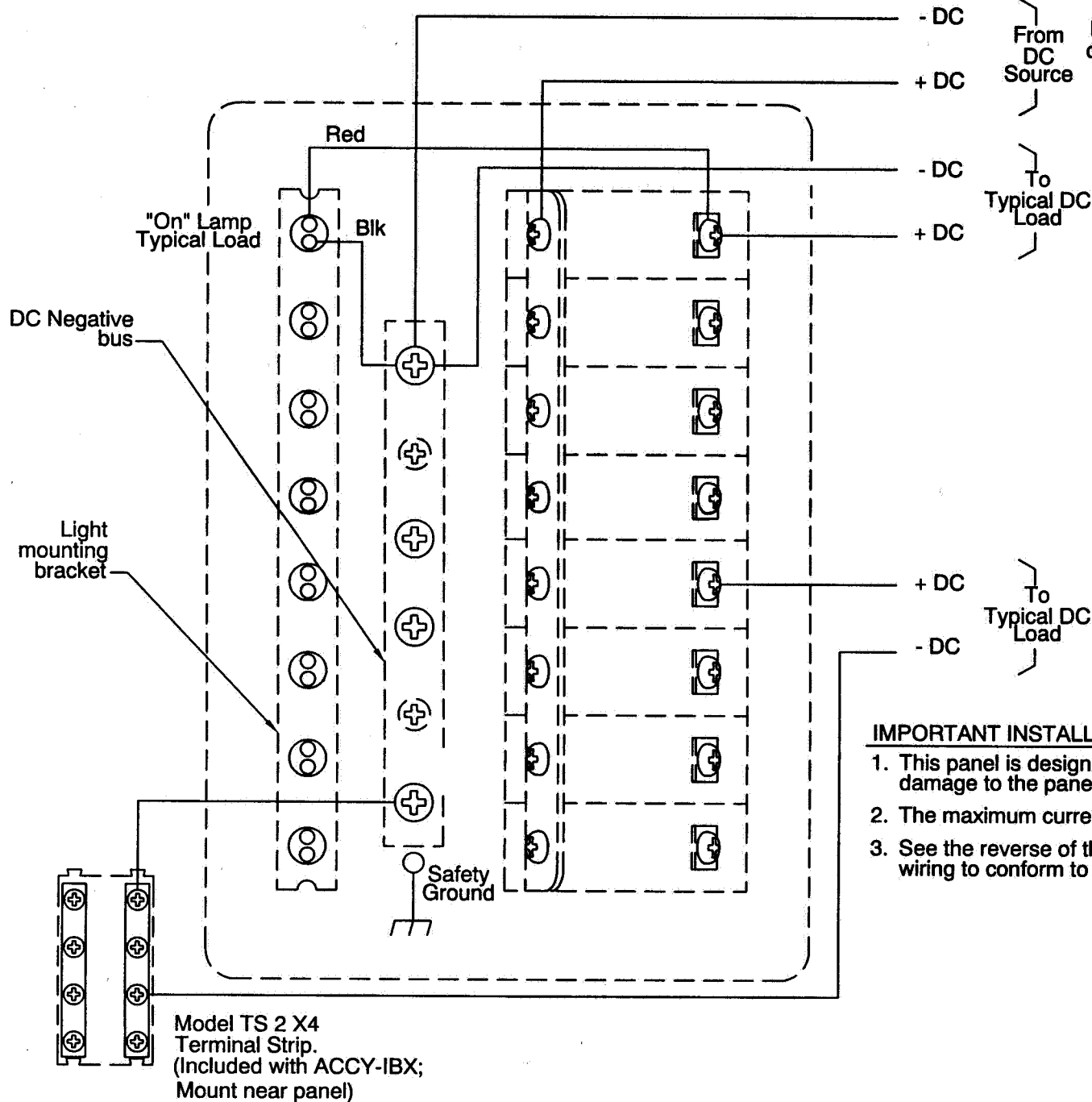


# DC WIRING DIAGRAM

| REVISIONS |                 |      |          |
|-----------|-----------------|------|----------|
| REV       | DESCRIPTION     | DATE | APPROVED |
| NC        | INITIAL RELEASE |      |          |



From DC Source  
Install fuse or circuit breaker per ABYC E-9

To Typical DC Load

To Typical DC Load

### IMPORTANT INSTALLATION NOTES

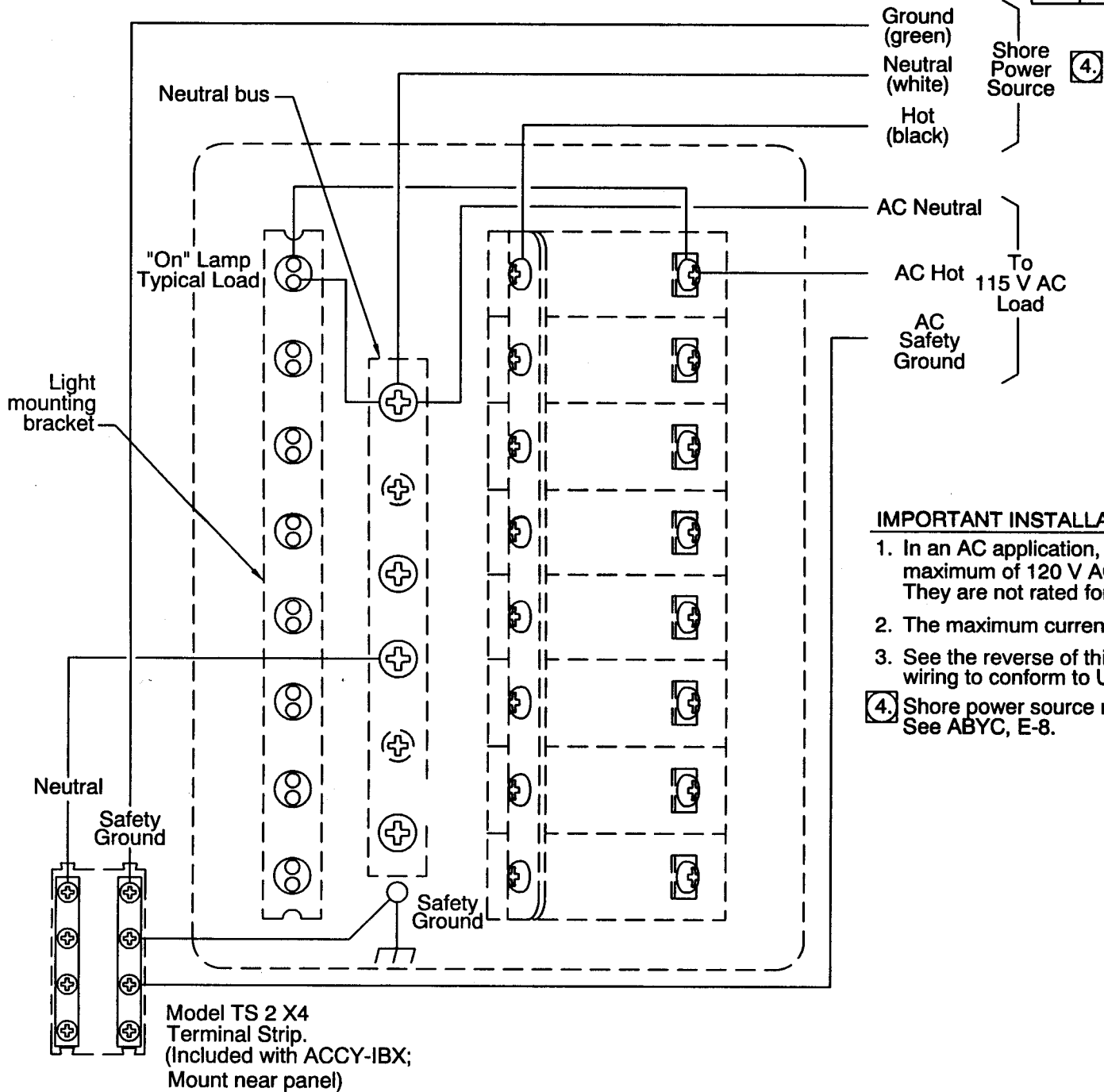
1. This panel is designed for 12 or 24 VDC. Mixing voltages will result in damage to the panel and/or provided equipment.
2. The maximum current capacity of the installed bus bar is 50 amps.
3. See the reverse of this sheet for important information regarding panel wiring to conform to USCG regulations and ABYC standards.

|   |      |  |      |
|---|------|--|------|
| TOLERANCES UNLESS OTHERWISE SPECIFIED<br>DECIMAL PLACES<br>.XX = ± .03<br>.XXX = ± .010 |      | <b>NEWMAR</b>  |      |
| APPROVALS   | DATE | WIRING DIAG. FOR DC APPLICATION OF ACCY-IX & ACCY-IBX ACCESSORY PANELS |      |
| DRAWN<br>R. ARONSON   |      | SCALE  | REV. |
| CHKD  |      | NONE   | NC   |
| ENGR.   |      | SIZE   |      |
|   |      | DRAWING NO.  |      |
|   |      | 14358-5  |      |
| SHEET 1 OF 1  |      |  |      |

Model TS 2 X4 Terminal Strip. (Included with ACCY-IBX; Mount near panel)

# AC WIRING DIAGRAM

| REVISIONS |                              |      |          |
|-----------|------------------------------|------|----------|
| REV       | DESCRIPTION                  | DATE | APPROVED |
| NC        | INITIAL RELEASE              |      |          |
| A         | REV TS-2X4 WIRING & LABELING |      |          |



## IMPORTANT INSTALLATION NOTES

1. In an AC application, 40 and 50 Ampere circuit breakers are rated to a maximum of 120 V AC line-to-neutral or 240 V AC line-to-line. They are not rated for 240 V AC line-to-neutral systems.
2. The maximum current capacity of the installed bus bar is 50 amps.
3. See the reverse of this sheet for important information regarding panel wiring to conform to USCG regulations and ABYC standards.
4. Shore power source must originate from a double pole circuit breaker. See ABYC, E-8.

**NEWMAR**

| APPROVALS           | DATE | WIRING DIAG. & NOTES FOR AC APPLICATION OF ACCY-IBX ACCESSORY PANEL |      |             |
|---------------------|------|---|------|-------------|
| DRAWN<br>R. ARONSON |      | SCALE   | SIZE | DRAWING NO. |
| CHECKED             |      | NONE  | A    | 14358-6     |
| ENGR.               |      |   |      | REV. A      |
|                     |      | SHEET 1 OF 1  |      |             |