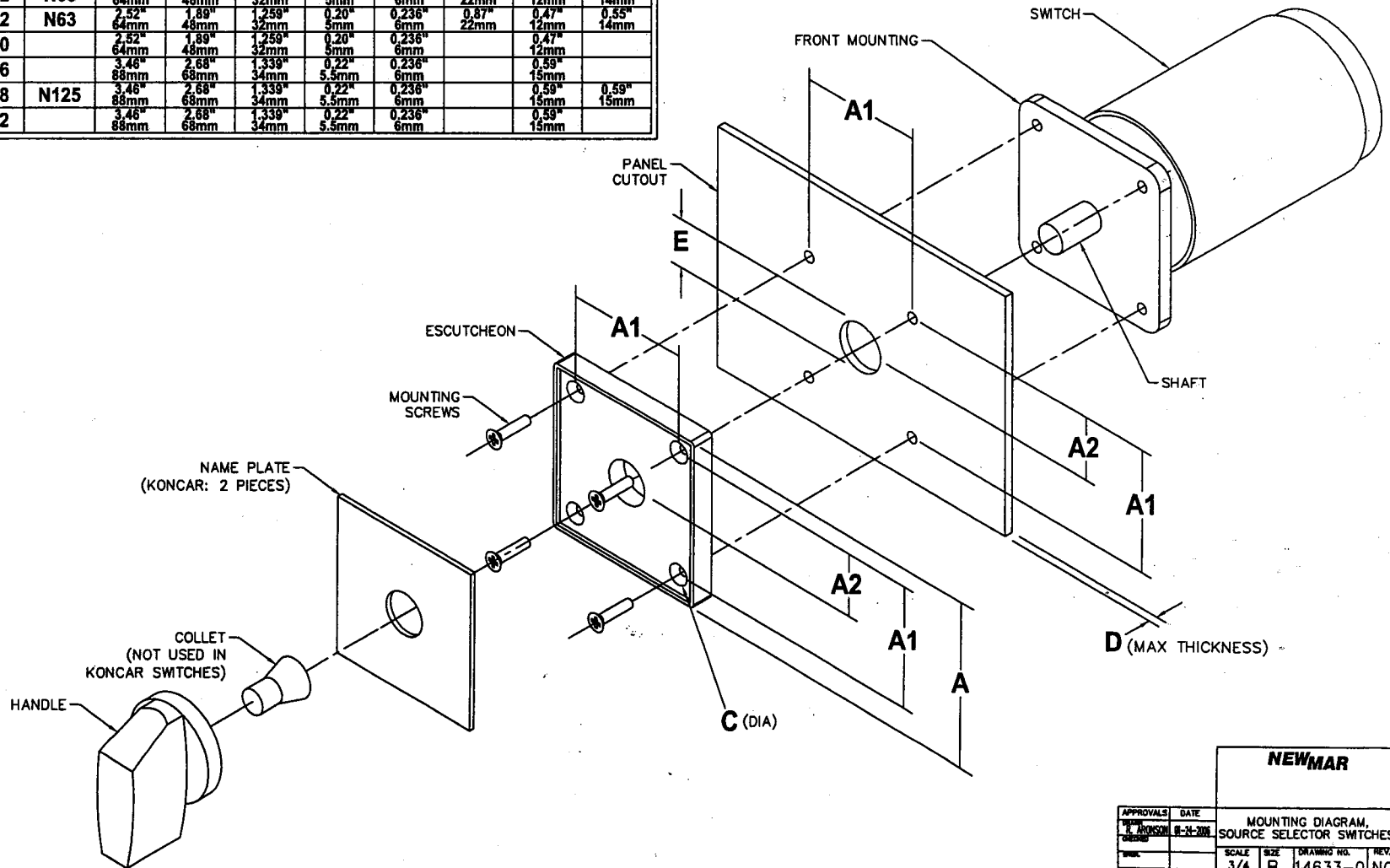


REVISIONS			
REV	DESCRIPTION	DATE	APPROVED
NC	INITIAL RELEASE	01-24-06	

### AC SOURCE SELECTOR SWITCHES

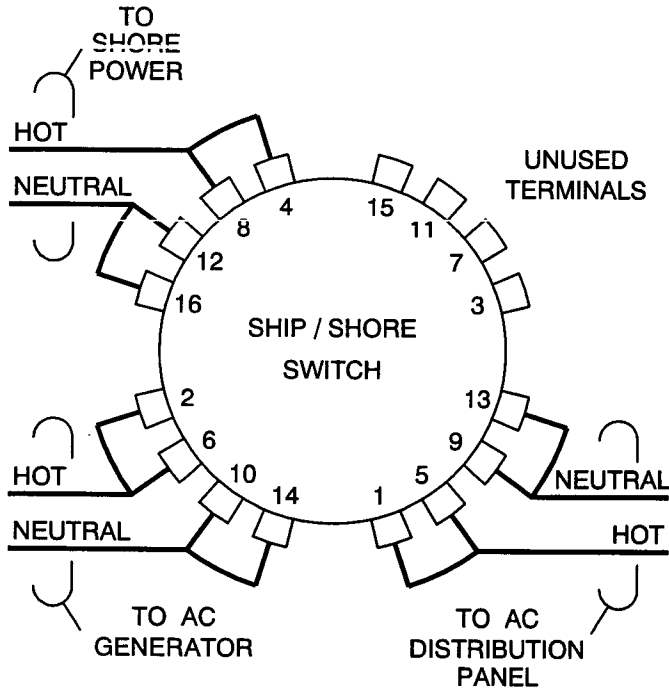
Model	Rating	MANFACT'S MODEL			MOUNTING DIMENSIONS								
		K-N	Saizer	Koncar	A	A1	A2	C	D	E Shaft			
										K-N	Saizer	Koncar	
SS 3.0	30 AMP	CA20	S225	N32	2.52" 64mm	1.89" 48mm	1.259" 32mm	0.20" 5mm	0.236" 6mm	0.71" 18mm	0.18" 4.5mm	0.55" 14mm	
SS 7.5	63 AMP	CA32	S432	N63	2.52" 64mm	1.89" 48mm	1.259" 32mm	0.20" 5mm	0.236" 6mm	0.87" 22mm	0.47" 12mm	0.55" 14mm	
SS7.5 INV	63 AMP	CA32	S432	N63	2.52" 64mm	1.89" 48mm	1.259" 32mm	0.20" 5mm	0.236" 6mm	0.87" 22mm	0.47" 12mm	0.55" 14mm	
SS15	126 AMP	CA32	S432	N63	2.52" 64mm	1.89" 48mm	1.259" 32mm	0.20" 5mm	0.236" 6mm	0.87" 22mm	0.47" 12mm	0.55" 14mm	
Special	80 AMP		S440		2.52" 64mm	1.89" 48mm	1.259" 32mm	0.20" 5mm	0.236" 6mm	0.47" 12mm			
Special	100 AMP		S606		2.52" 64mm	1.89" 48mm	1.259" 32mm	0.20" 5mm	0.236" 6mm	0.47" 12mm			
Special	125 AMP		S608	N125	3.46" 88mm	2.68" 68mm	1.339" 34mm	0.22" 5.5mm	0.236" 6mm	0.59" 15mm	0.59" 15mm		
Special	200 AMP		S612		3.46" 88mm	2.68" 68mm	1.339" 34mm	0.22" 5.5mm	0.236" 6mm	0.59" 15mm	0.59" 15mm		



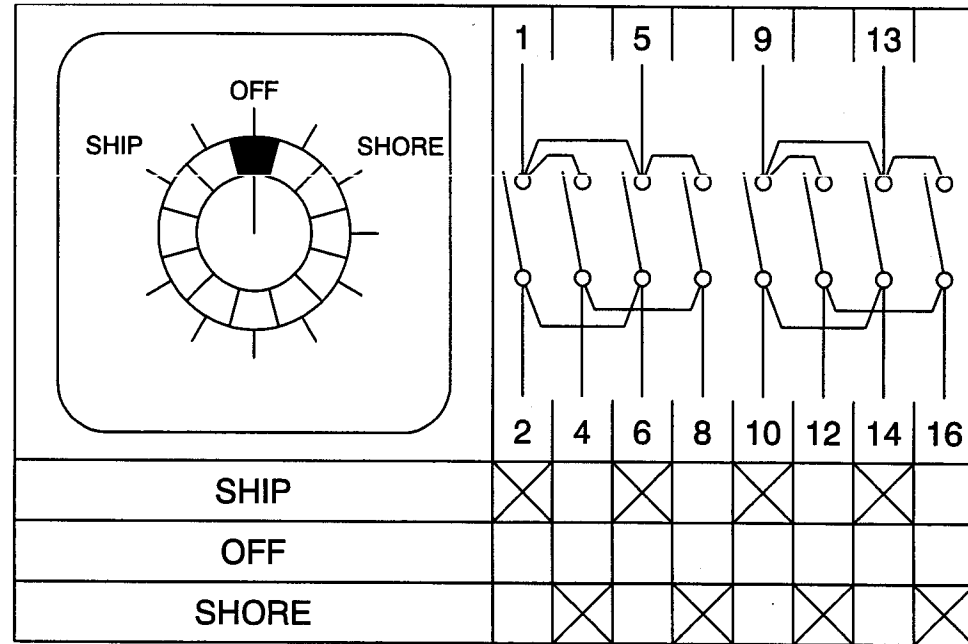
<b>NEWMAR</b>			
APPROVALS	DATE	MOUNTING DIAGRAM, SOURCE SELECTOR SWITCHES.	
L. JOHNSON	8-24-2006	SCALE	REV.
		3/4	B
		DRAWING NO.	14633-0
		REV.	NC
SHEET 1 OF 1			

THIS DOCUMENT AND THE INFORMATION CONTAINED THEREIN IS PROPRIETARY TO NEWMAR CORPORATION AND SHALL NOT BE USED OR DISCLOSED TO OTHERS, IN WHOLE OR IN PART, WITHOUT THE WRITTEN AUTHORIZATION OF NEWMAR CORPORATION.

REVISIONS			
REV	DESCRIPTION	DATE	APPROVED
NC	INITIAL RELEASE		



WIRING DIAGRAM



CONTACT CONFIGURATION

SINGLE PHASE WIRING; TWO POLE SCHEME

15 KW SHIP / SHORE SELECTOR SWITCH

MODEL SS-15

115 V AC OR 230 V AC UP TO 15 KW

CARRY : 126 AMPS

SWITCH: 63 AMPS

6 EA "FORK STYLE WITH 8mm STUD" JUMPERS INSTALLED

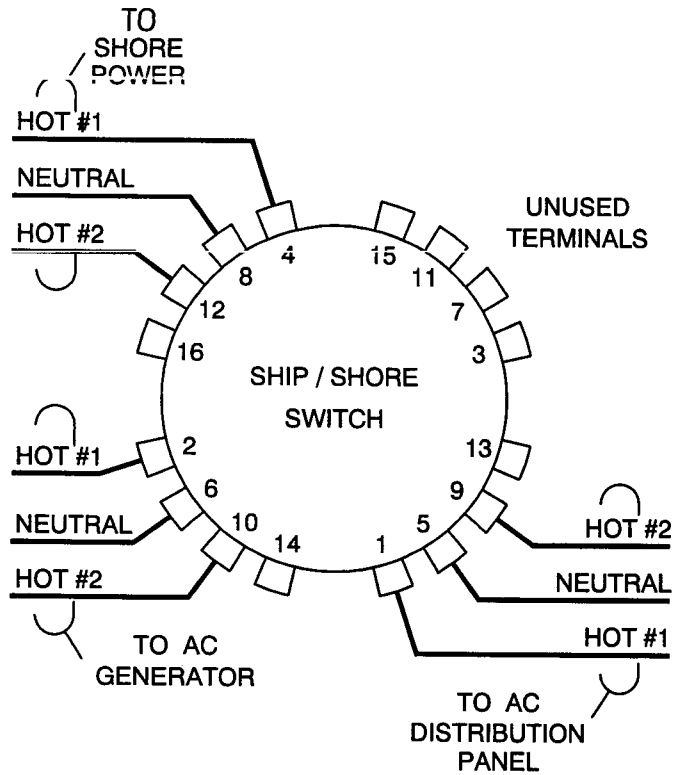
**NEWMAR**

WIRING PICTORIAL  
SHIP / SHORE SWITCH,  
MODEL SS-15

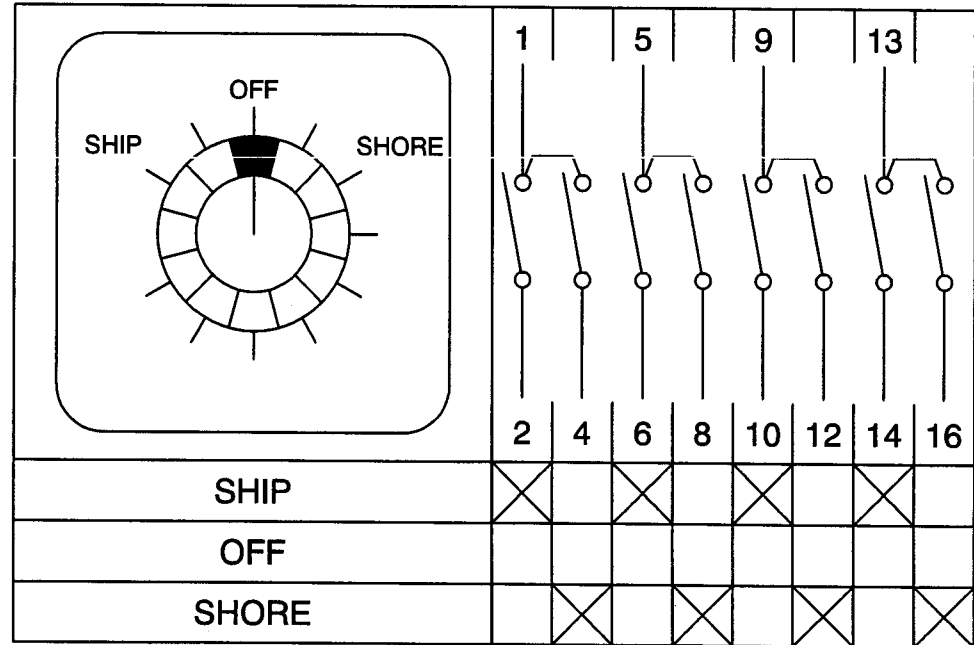
APPROVALS	DATE
DRAWN R. ARONSON	
CHECKED	
ENGR.	

SCALE	SIZE	DRAWING NO.	REV.
NONE	A	14532-0	NC

THIS DOCUMENT AND THE INFORMATION CONTAINED THEREIN IS PROPRIETARY TO NEWMAR CORPORATION AND SHALL NOT BE USED OR DISCLOSED TO OTHERS, IN WHOLE OR IN PART, WITHOUT THE WRITTEN AUTHORIZATION OF NEWMAR CORPORATION.



WIRING DIAGRAM



CONTACT CONFIGURATION

TWO PHASE WIRING; 3 POLE SCHEME

15 KW SHIP / SHORE SELECTOR SWITCH  
MODEL SS-15

115 V AC OR 230 V AC UP TO 15 KW

CARRY : 63 AMPS

SWITCH: 63 AMPS

REMOVE 6 EA "FORK STYLE WITH 8mm STUD" JUMPERS  
TO CONVERT FROM 2 POLES TO 3 POLES

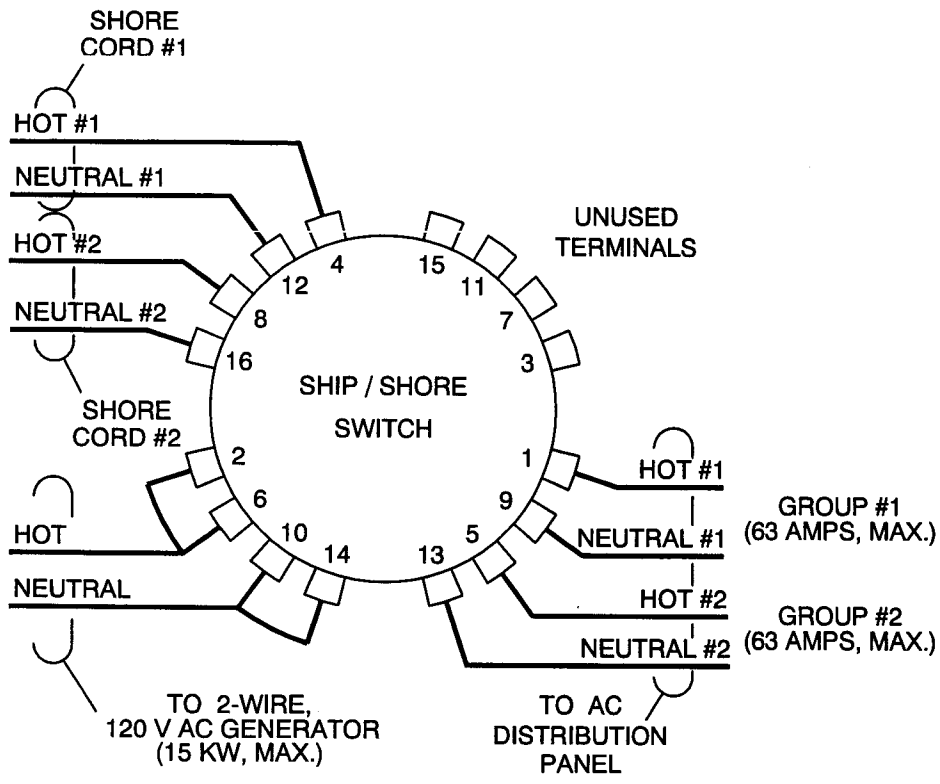
**NEWMAR**

WIRING PICTORIAL  
SHIP / SHORE SWITCH,  
MODEL SS-15

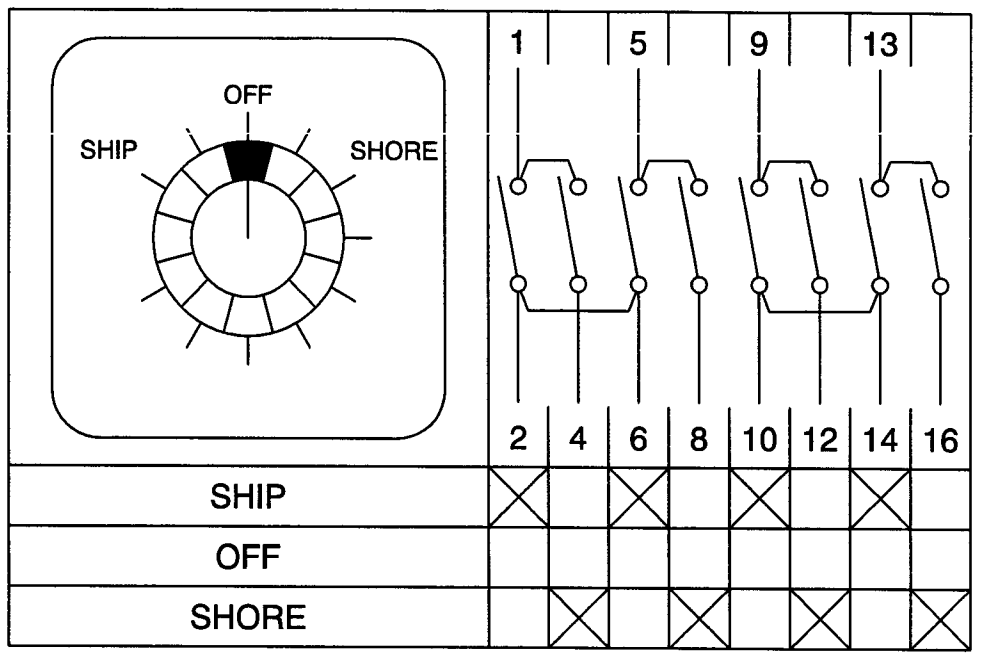
SCALE	SIZE	DRAWING NO.	REV.
NONE	A	14532-0	NC

SHEET 2 OF 4

THIS DOCUMENT AND THE INFORMATION CONTAINED THEREIN IS PROPRIETARY TO NEWMAR CORPORATION AND SHALL NOT BE USED OR DISCLOSED TO OTHERS, IN WHOLE OR IN PART, WITHOUT THE WRITTEN AUTHORIZATION OF NEWMAR CORPORATION.



**WIRING DIAGRAM,  
2-WIRE, 120 VAC GENERATOR**



**CONTACT CONFIGURATION**

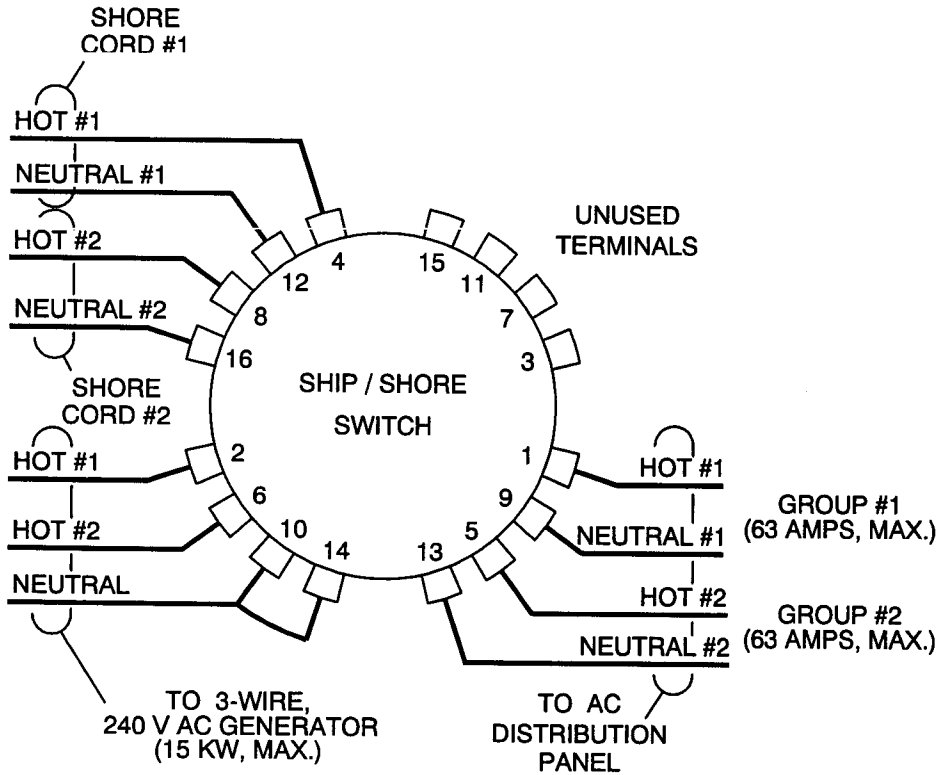
**DUAL SHORE CORD WIRING; 2-POSITION PLUS "OFF" SWITCH: 4-POLE SCHEME**

**15 KW SHIP / SHORE SELECTOR SWITCH  
MODEL SS-15  
115 VAC (50 AMPS MAX EACH CORD)  
SINGLE 2-WIRE GENERATOR (15 KW, MAX)  
TWO 115 VAC LOAD GROUPS**

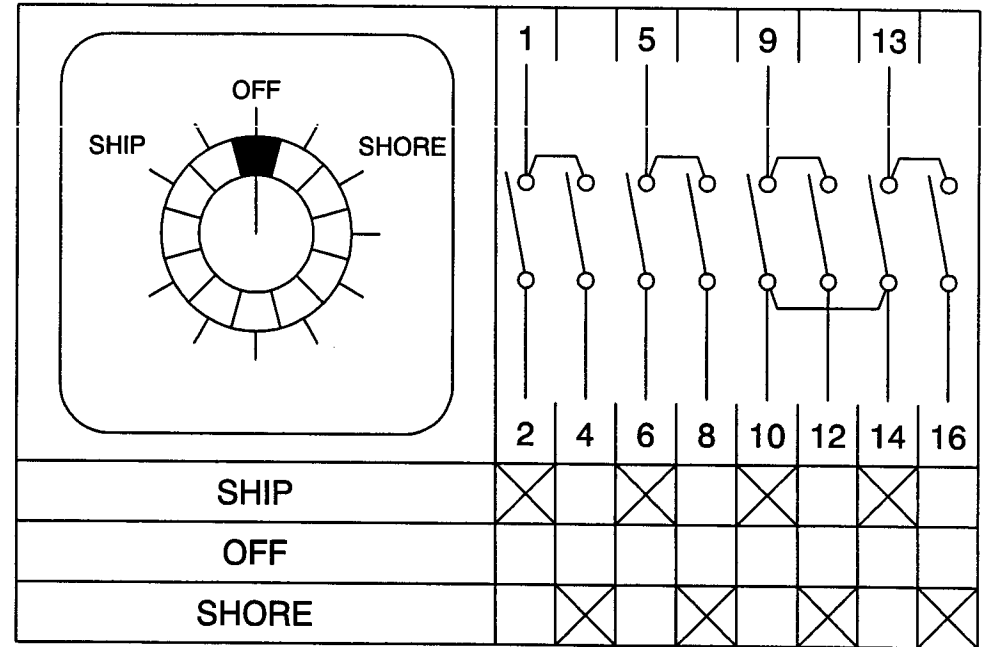
**REMOVE 4 EA "FORK STYLE WITH 8mm STUD" JUMPERS  
TO CONVERT FROM 2 POLES TO 4 POLES**

<b>NEWMAR</b>			
WIRING PICTORIAL SHIP / SHORE SWITCH, MODEL SS-15			
SCALE	SIZE	DRAWING NO.	REV.
NONE	A	14532-0	NC
SHEET 3 OF 4			

THIS DOCUMENT AND THE INFORMATION CONTAINED THEREIN IS PROPRIETARY TO NEWMAR CORPORATION AND SHALL NOT BE USED OR DISCLOSED TO OTHERS, IN WHOLE OR IN PART, WITHOUT THE WRITTEN AUTHORIZATION OF NEWMAR CORPORATION.



**WIRING DIAGRAM,  
3-WIRE, 240 VAC GENERATOR**



**CONTACT CONFIGURATION**

**DUAL SHORE CORD WIRING; 2-POSITION PLUS "OFF" SWITCH: 4-POLE SCHEME**

**15 KW SHIP / SHORE SELECTOR SWITCH  
MODEL SS-15**

**115 VAC (50 AMPS MAX EACH CORD)  
SINGLE 3-WIRE GENERATOR (15 KW, MAX)**

**TWO 115 VAC LOAD GROUPS**

**REMOVE 5 EA "FORK STYLE WITH 8mm STUD" JUMPERS  
FOR USE WITH 3-WIRE GENERATOR**

<b>NEWMAR</b>			
WIRING PICTORIAL SHIP / SHORE SWITCH, MODEL SS-15			
SCALE	SIZE	DRAWING NO.	REV.
NONE	A	14532-0	NC
SHEET 4 OF 4			