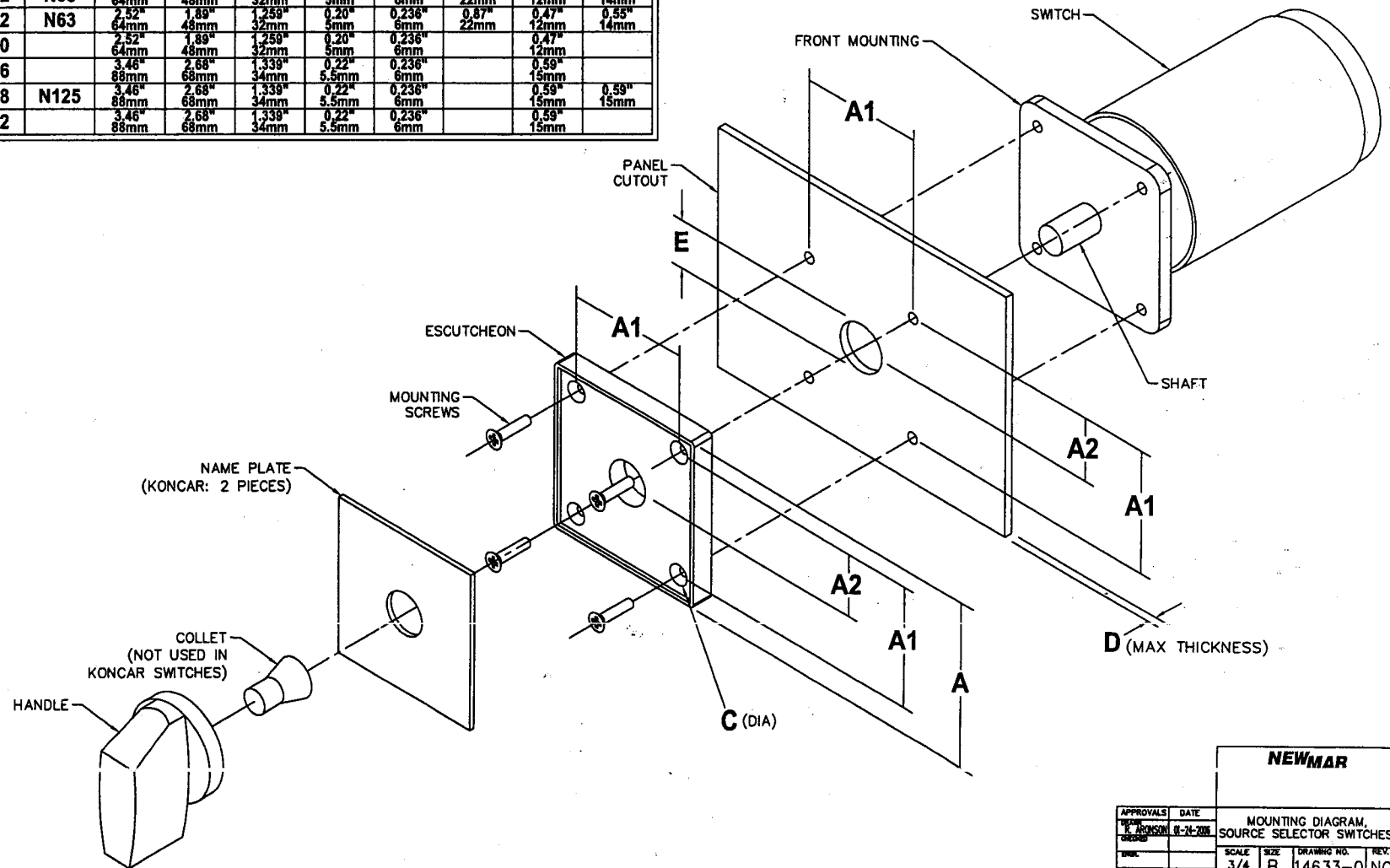


| REVISIONS | | | |
|-----------|-----------------|----------|----------|
| REV | DESCRIPTION | DATE | APPROVED |
| NC | INITIAL RELEASE | 01-24-06 | |

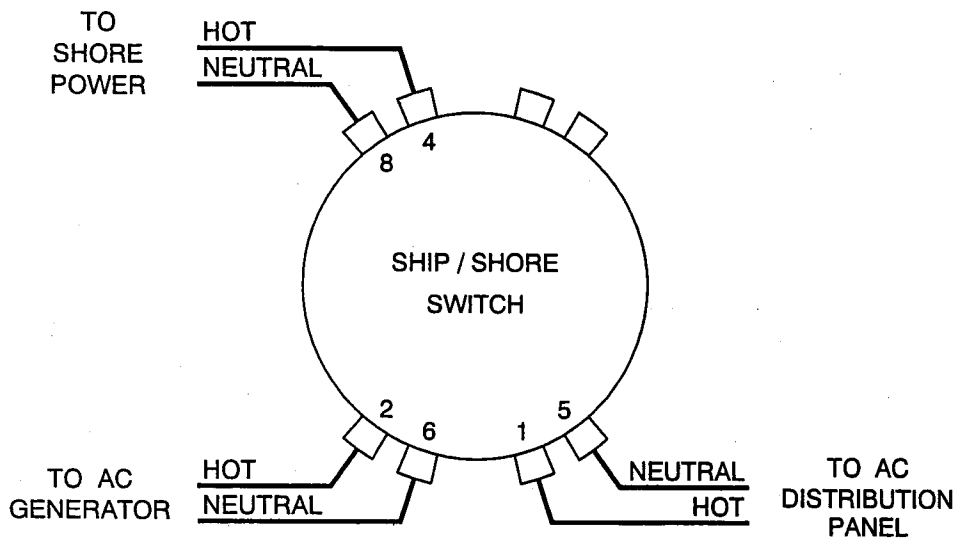
| AC SOURCE SELECTOR SWITCHES | | | | | | | | | | | | |
|-----------------------------|---------|-----------------|--------|--------|---------------------|---------------|----------------|----------------|---------------|---------------|----------------|---------------|
| | | MANFACT'S MODEL | | | MOUNTING DIMENSIONS | | | | | | | |
| Model | Rating | K-N | Salzer | Koncar | A | A1 | A2 | C | D | E Shaft | | |
| | | | | | | | | | | K-N | Salzer | Koncar |
| SS 3.0 | 30 AMP | CA20 | S225 | N32 | 2.52" 64mm | 1.89" 48mm | 1.259" 32mm | 0.20" 5mm | 0.236" 6mm | 0.71" 18mm | 0.18" 4.5mm | 0.55" 14mm |
| SS 7.5 | 63 AMP | CA32 | S432 | N63 | 2.52" 64mm | 1.89" 48mm | 1.259" 32mm | 0.20" 5mm | 0.236" 6mm | 0.87" 22mm | 0.47" 12mm | 0.55" 14mm |
| SS7.5 INV | 63 AMP | CA32 | S432 | N63 | 2.52" 64mm | 1.89" 48mm | 1.259" 32mm | 0.20" 5mm | 0.236" 6mm | 0.87" 22mm | 0.47" 12mm | 0.55" 14mm |
| SS15 | 126 AMP | CA32 | S432 | N63 | 2.52" 64mm | 1.89" 48mm | 1.259" 32mm | 0.20" 5mm | 0.236" 6mm | 0.87" 22mm | 0.47" 12mm | 0.55" 14mm |
| Special | 80 AMP | | S440 | | 2.52" 64mm | 1.89" 48mm | 1.259" 32mm | 0.20" 5mm | 0.236" 6mm | | 0.47" 12mm | |
| Special | 100 AMP | | S606 | | 3.46" 88mm | 2.68" 68mm | 1.339" 34mm | 0.22" 5.5mm | 0.236" 6mm | | 0.59" 15mm | |
| Special | 125 AMP | | S608 | N125 | 3.46" 88mm | 2.68" 68mm | 1.339" 34mm | 0.22" 5.5mm | 0.236" 6mm | | 0.59" 15mm | 0.59" 15mm |
| Special | 200 AMP | | S612 | | 3.46" 88mm | 2.68" 68mm | 1.339" 34mm | 0.22" 5.5mm | 0.236" 6mm | | 0.59" 15mm | |



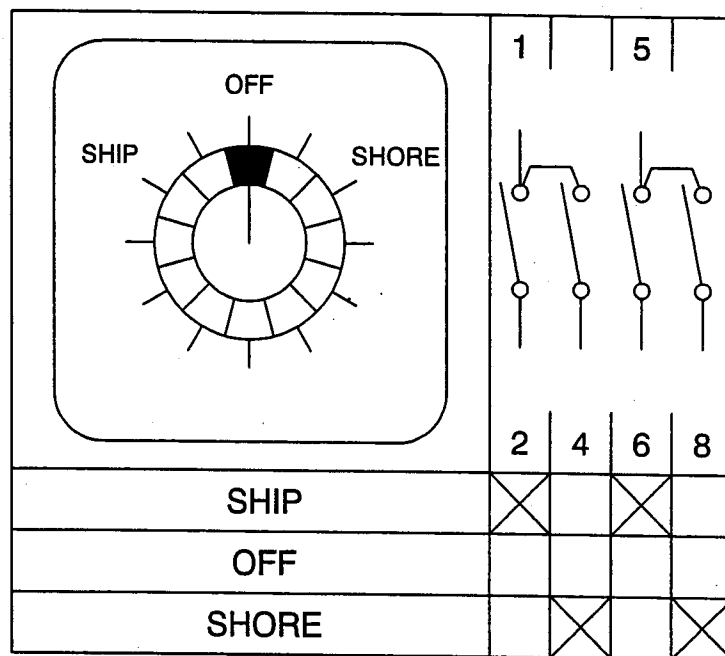
| | | | | | | |
|-----------|------|-------------|---|--------------|--|--|
| APPROVALS | | DATE | NEWMAR | | | |
| DESIGNED | BY | 01-24-06 | MOUNTING DIAGRAM, SOURCE SELECTOR SWITCHES. | | | |
| SCALE | SIZE | DRAWING NO. | REV. | | | |
| 3/4 | B | 14633-0 | NC | SHEET 1 OF 1 | | |

THIS DOCUMENT AND THE INFORMATION CONTAINED THEREIN IS PROPRIETARY TO NEWMAR CORPORATION AND SHALL NOT BE USED OR DISCLOSED TO OTHERS, IN WHOLE OR IN PART, WITHOUT THE WRITTEN AUTHORIZATION OF NEWMAR CORPORATION.

| REV | | REVISIONS | DATE | APPROVED |
|-----|---|-----------------|----------|----------|
| NC | 1 | INITIAL RELEASE | 09-13-04 | |



WIRING DIAGRAM



CONTACT CONFIGURATION

-SHIP / SHORE SELECTOR WIRING DIAGRAM-

MODEL SS-7.5; RATED @ 120/240 VAC, 63 AMPS, MAX
 MODEL SS-3.0; RATED @ 120/240 VAC, 30 AMPS, MAX

NEWMAR

| | | | | |
|---------------------|------------|---|------|-------------|
| APPROVALS | DATE | WIRING PICTORIAL, SHIP / SHORE SWITCHES, MODELS SS-7.5 & SS-3.0 | | |
| DRAWN R. ARONSON | 09-13-2004 | SCALE | SIZE | DRAWING NO. |
| CHECKED | | NONE | A | 14531-0 NC |
| ENGR. | | SHEET 1 OF 1 | | |