

The OceanLED Sport DockLight is the perfect underwater LED light to create a stunning light display at your dock.

KEY FEATURES



Up To 3,000 Fixture Lumens



90° Top Beam



20° Side Beam



Rectangular Beam

COLOUR PART#

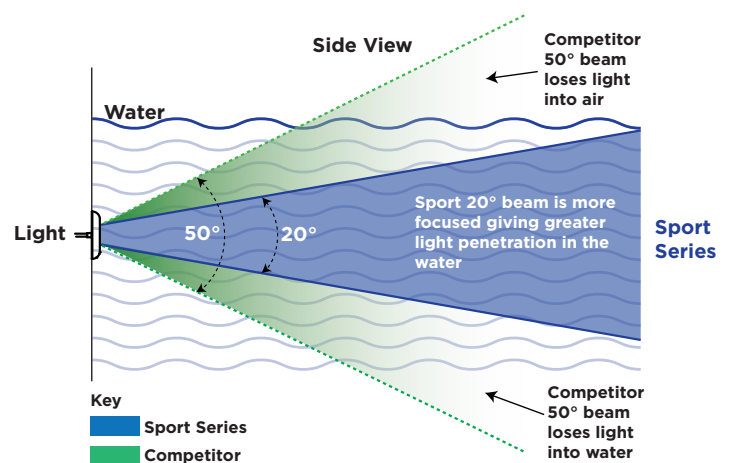


Dual White/Blue  
**012106BW**

With twice the amount of LEDs as its competitors, the dual colour S3124d is the leader in its class. Simply toggle the power between white, blue and fade modes.

Compact, simple design with a small footprint. Easy to install and maintain with a choice of standard fixed dock or optional floating dock brackets.

- Brightest dock light in its class provides safety and security at your dock.
- Create a stunning backdrop to your dock parties.
- Increase interest and value in your property with stunning pictures for any marketing material.



## 5,600 LUMENS / 3,000 FIXTURE LUMENS

Outstanding performance from this small, bright light makes it the obvious choice for those who want to stand out from the crowd.

## 90°/20° BEAM ANGLE

A true wide-angled, focused beam lights up a large area of the water around the dock

## COMPACT AND SIMPLE DESIGN

Made from corrosion resistant Alu Bronze, there is a lot packed into this 100mm / 4" light. Simple plastic brackets keep footprint to a minimum.

## SIMPLE TO INSTALL

A choice of fixed or floating brackets, depending on tidal factors or dock type.

## EASY TO CLEAN

Thanks to its Tritonium coating, a simple wipe of the lens removes any underwater growth, saving hours of scrubbing each time you use it.

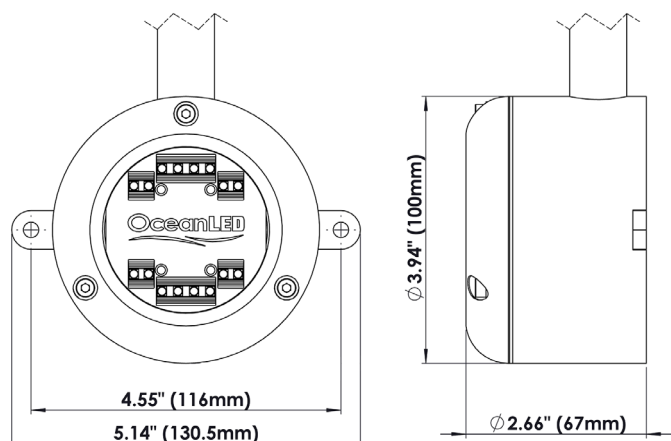
Optional Easi-Kleen floating bracket mechanism makes it simple to swing the light out of the water to clean.

## ADVANCED MODES

Fade between blue/white. Select your desired startup colour.

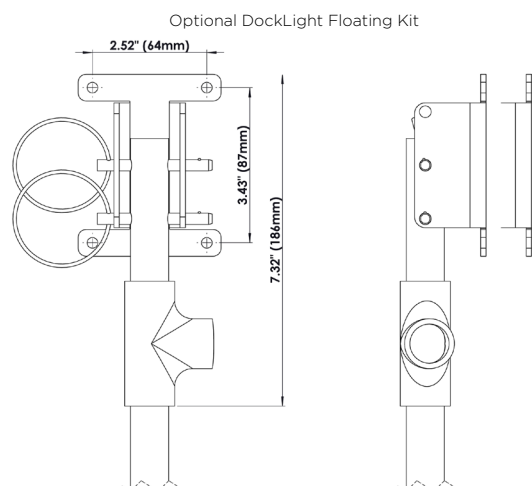
## ACTIVE THERMAL CONTROL

ATC prevents overheating. In the event of overheating the ATC system will reduce the LED power level in order to protect the LEDs, or in extreme cases, turn off the fixture completely.



## S3124d SPECIFICATIONS

BOX CONTENTS	
Sport Dock Light and Cable	
Fixed Dock Light Fixing Bracket	
In-line Fuse Kit	
Mounting Screws	
Quick Install Guide	
ACCESSORIES	PART
Sport DockLight Floating Kit	012108
4 Way V DC Power Junction Box	019901
Power Supply	001-600072
MOUNTING RECOMMENDATIONS	
Dock spacing	2-4' (0.5-1.2m)
Installation depth (To top of fixture)	12" (30cm)
TECHNICAL	
Lumens	5600
Fixture Lumens	3000
Typical LED life expectancy	40,000+ Hours
Minimum-Maximum operating voltage DC	20-32V DC
Current / Amp draw (DC)	24V DC 1.7A
Driver type	Internal, Reverse Polarity Protected
PHYSICAL	
Total weight	1.2kg
Extension cable length (standard)	32.8" (10m)
Conduit Size	0.5" (12.5mm)
Material	AB2 Aluminium Bronze



\*Fixture Lumens rating is a measurement of total light output from a finished lighting fixture. This measurement can only be obtained from either a Goniophotometer or an Integrating sphere. Fixture Lumens is the most reliable, professional measurement of light output.